



**Distributor of Phoenix Contact: Excellent Integrated System Limited**  
Datasheet of 1655221 - D-Sub Connector Receptacle, Female Sockets 44 Position Free  
Hanging (In-Line) Solder Cup

Contact us: [sales@integrated-circuit.com](mailto:sales@integrated-circuit.com) Website: [www.integrated-circuit.com](http://www.integrated-circuit.com)

---

## **Excellent Integrated System Limited**

Stocking Distributor

Click to view price, real time Inventory, Delivery & Lifecycle Information:

[Phoenix Contact](#)  
[1655221](#)

For any questions, you can email us directly:  
[sales@integrated-circuit.com](mailto:sales@integrated-circuit.com)

## D-SUB contact insert - VS-25-BU-DSUB-HD-EG - 1655221

Please be informed that the data shown in this PDF Document is generated from our Online Catalog. Please find the complete data in the user's documentation. Our General Terms of Use for Downloads are valid (<http://phoenixcontact.com/download>)



D-SUB contact insert, shell size 3, with 44 signal contacts, contact type socket, with solder cup, straight, fixing with a 3 mm hole, for panel mounting frame and sleeve housing VS-25-...



### Key commercial data

Packing unit	1 pc
Minimum order quantity	10 pc
Weight per Piece (excluding packing)	15.35 GRM
Custom tariff number	85366990
Country of origin	Germany

### Technical data

#### Mechanical characteristics

Number of positions	44
Connection profile	25-pos. D-SUB
Insertion/withdrawal cycles	≥ 200
Connection method	Solder cup
Conductor cross section	0.34 mm <sup>2</sup>
Connection cross section AWG	22
Insertion force per signal contact	≤ 3.40 N

#### Ambient conditions

Ambient temperature (operation)	-55 °C ... 125 °C
---------------------------------	-------------------

#### Material data

Inflammability class according to UL 94	V0
Housing material	Steel, yellow chromated
Contact carrier material	Polyester GF
Contact material	Copper alloy

## D-SUB contact insert - VS-25-BU-DSUB-HD-EG - 1655221

### Technical data

#### Material data

Contact surface material	Hard gold-plated over nickel
--------------------------	------------------------------

#### Electrical characteristics

Rated voltage (III/3)	60 V
Rated surge voltage	1 kV
Rated current	3 A

### Classifications

#### eCl@ss

eCl@ss 4.0	27140816
eCl@ss 4.1	27260701
eCl@ss 5.0	27260701
eCl@ss 5.1	27260701
eCl@ss 6.0	27260705
eCl@ss 7.0	27440309
eCl@ss 8.0	27440309

#### ETIM

ETIM 2.0	EC000438
ETIM 3.0	EC000438
ETIM 4.0	EC000438
ETIM 5.0	EC000438

#### UNSPSC

UNSPSC 6.01	30211923
UNSPSC 7.0901	39121522
UNSPSC 11	39121522
UNSPSC 12.01	39121522
UNSPSC 13.2	39121522

### Approvals

#### Approvals

Approvals

GOST

## D-SUB contact insert - VS-25-BU-DSUB-HD-EG - 1655221

### Approvals

Ex Approvals

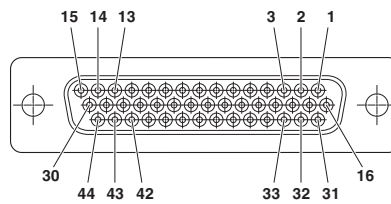
Approvals submitted

Approval details

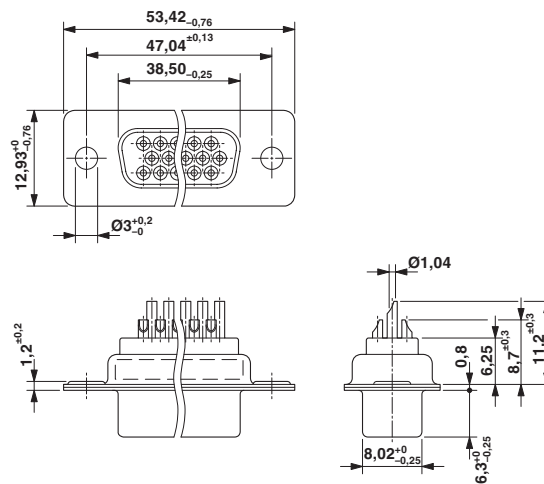


### Drawings

Schematic diagram



Dimensioned drawing



D-SUB contact insert



**Distributor of Phoenix Contact: Excellent Integrated System Limited**  
Datasheet of 1655221 - D-Sub Connector Receptacle, Female Sockets 44 Position Free  
Hanging (In-Line) Solder Cup

Contact us: [sales@integrated-circuit.com](mailto:sales@integrated-circuit.com) Website: [www.integrated-circuit.com](http://www.integrated-circuit.com)

<https://www.phoenixcontact.com/us/products/1655221>



Phoenix Contact 2014 © - all rights reserved  
<http://www.phoenixcontact.com>