

Excellent Integrated System Limited

Stocking Distributor

Click to view price, real time Inventory, Delivery & Lifecycle Information:

[Cherry](#)
[SRB22A2FBBNN](#)

For any questions, you can email us directly:
sales@integrated-circuit.com

Rocker Switch

Single Pole

SR Series – SRB



Features

- Self-locking tabs
- Minimum 100,000 operations mechanical life
- RoHS compliant

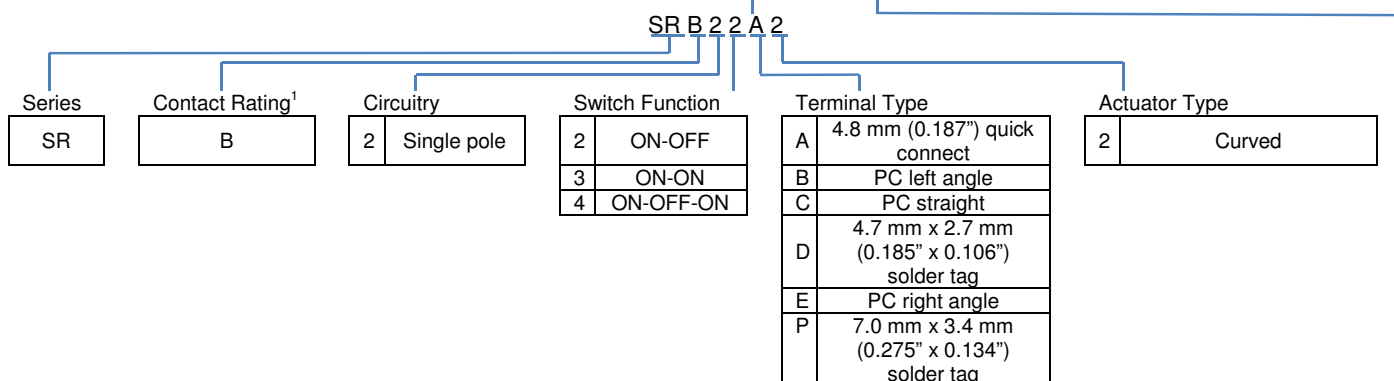
Standard Parts¹

North America and Europe				
SRB22A2BBBNN	SRB22A2DBBNN	SRB22A2FBBNN	SRB22A2FBRNN	SRB23A2BBBNN

¹The part number configuration matrix below provides details to the part numbers above. For configurable part numbers that are not listed above, contact the factory or your distributor.

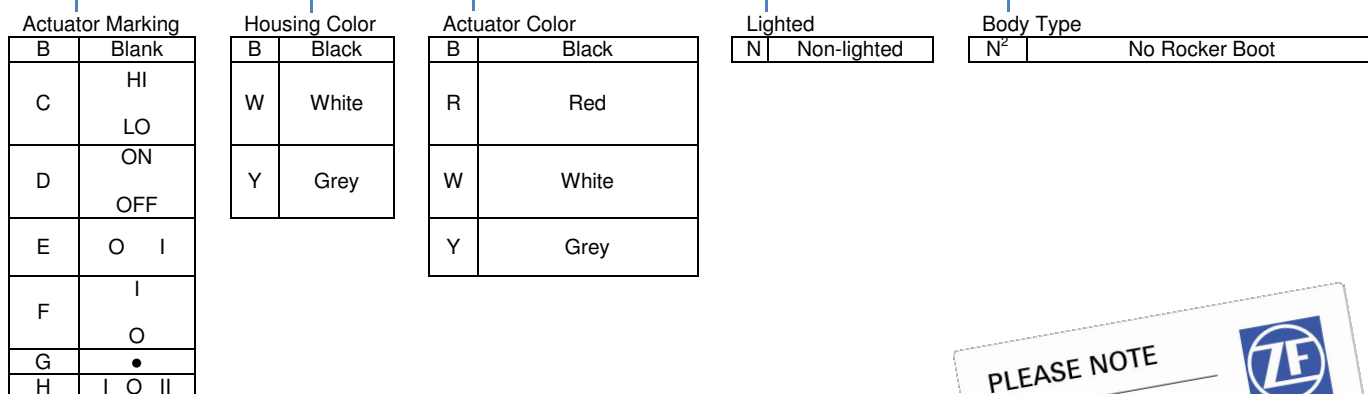
Part Number Breakdown

SRB22A2BBBNN

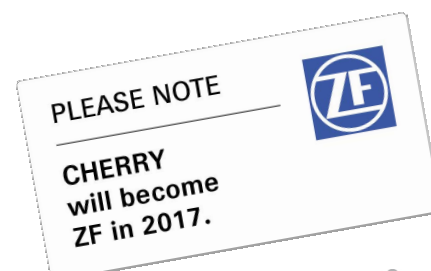


¹See Electrical Specifications section

B B B N N



²A splash-proof boot can be ordered separately as part number 00150751



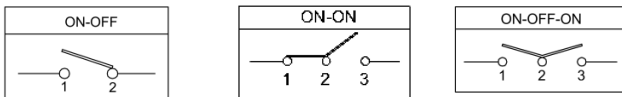
Electrical Specifications

Inrush Rating – 2 Position			48 A
Dielectric Strength			1000 VAC for 1 minute
Insulation Resistance			100 MΩ min at 500 VDC
Initial Contact Resistance			0.020 Ω max
Switch Function	<u>EN61058-1 Rating</u>	<u>UL General Purpose Rating</u>	
2, 3	10 (4) A 250 VAC ~ T125/55	10 A 125 VAC / 6 A 250 VAC	
4	10 (4) A 250 VAC ~μ T125/55	10 A 125 VAC / 6 A 250 VAC	
Electrical Life at Rated Load			
Minimum Operations	<u>VDE</u>	<u>UL</u>	
Switch Function 2	50,000	6,000	
Switch Function 3, 4	10,000	6,000	
UL File No: E23301			

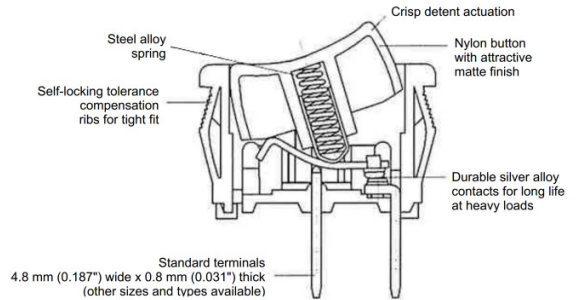
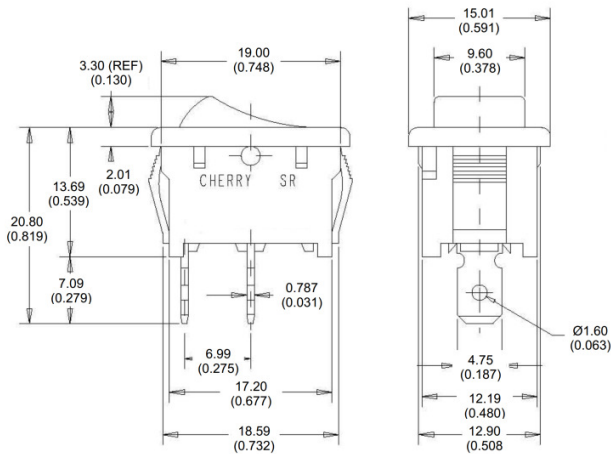
Material and Environmental Specifications

Actuator	Nylon 66 94V-2		
Base	Nylon 66 94V-2		
Spring	Steel Wire		
Contacts	Silver or Copper Alloy		
Movable Arm	Silver-Plated Copper Alloy		
Terminals	Tin-Plated Copper Alloy		
Operating Temperature Range	-20 °C to +65 °C (-4 °F to +149 °F)		

Circuitry and Switch Functions



Dimensions mm (inches)



Recommended Panel Cut-Out Dimensions		
Panel thickness	X Dimension	Y dimension
0.75 to 1.25 (0.30 to 0.049)	19.2 +0.1/-0 (0.752)	12.90 +0/15/-0 (0.508)
1.25 to 2.00 (0.049 to 0.079)	19.4 +0.1/-0 (0.760)	12.90 +0/15/-0 (0.508)
2.00 to 3.00 (0.079 to 0.118)	19.8 +0.1/-0 (0.775)	12.90 +0/15/-0 (0.508)