



Excellent Integrated System Limited

Stocking Distributor

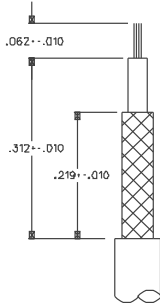
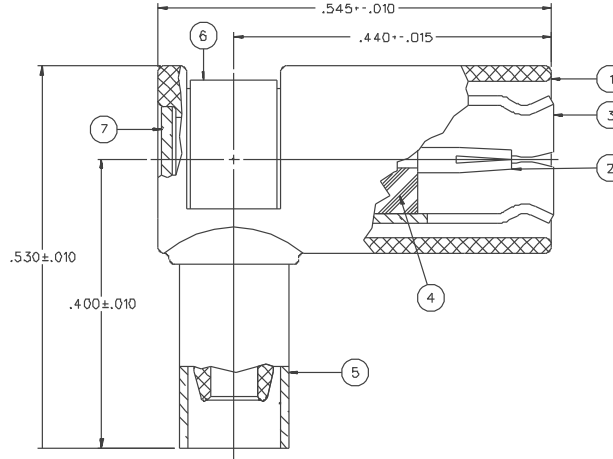
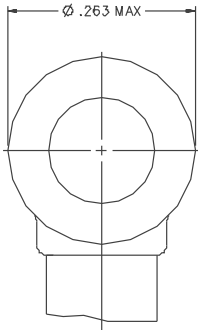
Click to view price, real time Inventory, Delivery & Lifecycle Information:

[Bel Fuse Inc.](#)
[131-8403-111](#)

For any questions, you can email us directly:
sales@integrated-circuit.com

PART NUMBER	ITEM ①	ITEM ②	ITEM ③	ITEM ④	ITEM ⑤	ITEM ⑥	ITEM ⑦
131-8403-111	BODY ZINC GOLD PL .00001 MIN OVER NICKEL PL .00015 MIN OVER COPPER PL .0005 MIN	CONTACT BERYLLIUM COPPER GOLD PL .00003 MIN OVER NICKEL PL .00005 MIN OVER COPPER PL .00005 MIN	INTERFACE BERYLLIUM COPPER GOLD PL .00003 MIN OVER NICKEL PL .00005 MIN OVER COPPER PL .00005 MIN	INSULATOR TEFLON	SLEEVE COPPER GOLD PL .00001 MIN OVER NICKEL PL .00005 MIN OVER COPPER PL .00005 MIN	COVER RING PHOSPHOR BRONZE GOLD PL .00001 MIN OVER NICKEL PL .00005 MIN OVER COPPER PL .00005 MIN	END CAP BRASS GOLD PL .00001 MIN OVER NICKEL PL .00005 MIN OVER COPPER PL .00005 MIN
131-8403-118	ZINC NICKEL PL .00015 MIN OVER COPPER PL .0005 MIN	BERYLLIUM COPPER GOLD PL .00003 MIN OVER NICKEL PL .00005 MIN OVER COPPER PL .00005 MIN	BERYLLIUM COPPER NICKEL PL .0001 MIN OVER COPPER PL .00005 MIN	TEFLON	COPPER NICKEL PL .0001 MIN OVER COPPER PL .00005 MIN	PHOSPHOR BRONZE NICKEL PL .0001 MIN OVER COPPER PL .00005 MIN	BRASS NICKEL PL .0001 MIN OVER COPPER PL .00005 MIN

DRAWING NO. C - 131-8403-111/120	
0	REVISIONS
ENGINEERING RELEASE	
1	5-26-98 [Signature] ECN 45599



CABLE STRIP DIMENSIONS

NOTES:

- SPECIFICATIONS:
 - IMPEDANCE: 75 OHMS
 - FREQUENCY RANGE: 0-2 GHZ
 - VSWR: 1.35-.04 F (F IN GHZ)
 - WORKING VOLTAGE: 335 VRMS MAX AT SEA LEVEL
 - DIELECTRIC WITHSTANDING VOLTAGE: 1000 VRMS MIN AT SEA LEVEL
 - INSULATION RESISTANCE: 1000 MEGOHM MIN
 - CONTACT RESISTANCE:
 - CENTER CONTACT - INITIAL 12 MILLIOHM MAX, AFTER ENVIRONMENTAL 16 MILLIOHM MAX
 - OUTER CONDUCTOR - GOLD PLATED INITIAL 1 MILLIOHM MAX, AFTER ENVIRONMENTAL 1.5 MILLIOHM MAX, NICKEL PLATED INITIAL 2.5 MILLIOHM MAX, AFTER ENVIRONMENTAL 3.5 MILLIOHM MAX
 - BRAID TO BODY - GOLD PLATED INITIAL 1 MILLIOHM MAX, AFTER ENVIRONMENTAL NOT APPLICABLE, NICKEL PLATED INITIAL 2.5 MILLIOHM MAX, AFTER ENVIRONMENTAL NOT APPLICABLE
 - CORONA LEVEL: 250 VOLTS MIN AT 70,000 FEET
 - INSERTION LOSS: .60 DB MAX AT 1.5 GHZ
 - RF LEAKAGE: -65 DB MIN AT 7 GHZ
 - RF HIGH POTENTIAL WITHSTANDING VOLTAGE: 700 VRMS MIN AT 4 AND 7 MHZ
- MECHANICAL:
 - ENGAGE/DISENGAGE FORCE: INITIAL 14 LBS MAX, AFTER DURABILITY 14 LBS MAX
 - ENGAGEMENT/2 LBS MIN DISENGAGEMENT
 - MATING TORQUE: NOT APPLICABLE
 - COUPLING PROOF TORQUE: NOT APPLICABLE
 - COUPLING NUT RETENTION: NOT APPLICABLE
 - CONTACT RETENSION: 4 LBS MIN AXIAL FORCE
 - CABLE ACCEPTABILITY: RG179/U, RG187/U
 - CABLE HEX CRIMP SIZE: 12B
 - CABLE RETENSION: 20 LBS MIN OR CABLE BREAKING STRENGTH
 - DURABILITY: 500 CYCLES MIN
- ENVIRONMENTAL:
 - (MEETS OR EXCEEDS THE APPLICABLE PARAGRAPH OF MIL-C-39012)
 - THERMAL SHOCK: MIL-STD-202, METHOD 107, CONDITION B
 - OPERATING TEMPERATURE: -65 DEG C TO 165 DEG C
 - CORROSION: MIL-STD-202, METHOD 101, CONDITION B
 - SHOCK: MIL-STD-202, METHOD 213, CONDITION B
 - VIBRATION: MIL-STD-202, METHOD 204, CONDITION B

CUSTOMER DRAWING
 THIS DRAWING TO BE INTERPRETED PER ANSI Y 14.5M - 1982
 "μSTATION"
 COMPANY CONFIDENTIAL

TOLERANCE UNLESS OTHERWISE SPECIFIED	DRAWN BY SWC	DATE 5-5-98	 <small>Cinch Connectivity Solutions 299 Johnson Ave. Ste 100 Waukegan, IL 60087 1-800-247-8256</small>
DECIMALS _____ mm	CHECKED BY SWC	DATE 5-28-98	
.XXX _____	APPROVED BY TAK	DATE 5-26-98	TITLE PLUG ASSEMBLY, RA CABLED MINI 75 OHM SMB, RG 179
MATL _____	APPROVED BY RJB	DATE 5-26-98	CODE NO. _____ DRAWING NO. C - 131-8403-111/120
FINISH _____	RELEASE DATE		SCALE 10:1 U/M INCH SHEET 2 OF 2