



Excellent Integrated System Limited

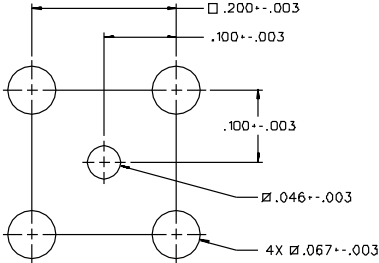
Stocking Distributor

Click to view price, real time Inventory, Delivery & Lifecycle Information:

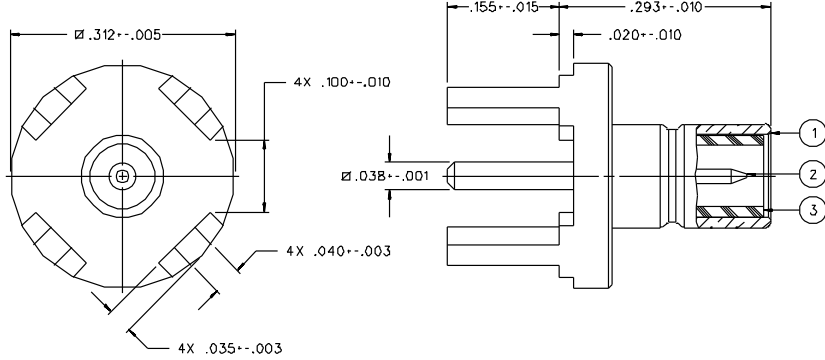
[Bel Fuse Inc.](#)
[131-3701-206](#)

For any questions, you can email us directly:
sales@integrated-circuit.com

PART NUMBER	ITEM ① BODY	ITEM ② CONTACT	ITEM ③ INSULATOR
131-3701-201	BRASS GOLD PL .00001 MIN OVER NICKEL PL .00005 MIN OVER COPPER PL .00005 MIN	BRASS GOLD PL .00003 MIN OVER NICKEL PL .00005 MIN OVER COPPER PL .00005 MIN	TEFLON
131-3701-202	BRASS GOLD PL .00005 MIN OVER COPPER PL .00005 MIN	BRASS GOLD PL .00005 MIN OVER COPPER PL .00005 MIN	TEFLON
131-3701-204	COPPER SILVER PL .00005 MIN OVER COPPER PL .00005 MIN	COPPER SILVER PL .00005 MIN OVER COPPER PL .00005 MIN	TEFLON
131-3701-206	BRASS NICKEL PL .0001 MIN OVER COPPER PL .00005 MIN	BRASS GOLD PL .00003 MIN OVER NICKEL PL .00005 MIN OVER COPPER PL .00005 MIN	TEFLON



MOUNTING HOLE LAYOUT



NOTES:

1. SPECIFICATIONS:

- IMPEDANCE: 50 OHMS
- FREQUENCY RANGE: 0-4 GHz
- VSWR: NOT APPLICABLE
- WORKING VOLTAGE: 335 VRMS MAX AT SEA LEVEL
- DIELECTRIC WITHSTANDING VOLTAGE: 1000 VRMS MIN AT SEA LEVEL
- INSULATION RESISTANCE: 1000 MEGOHM MIN
- CONTACT RESISTANCE:
 - CENTER CONTACT - INITIAL 6 MILLIOHM MAX, AFTER ENVIRONMENTAL 5 MILLIOHM MAX
 - OUTER CONDUCTOR - GOLD PLATED INITIAL 1 MILLIOHM MAX, AFTER ENVIRONMENTAL 1.5 MILLIOHM MAX
 - NICKEL PLATED INITIAL 2.5 MILLIOHM MAX, AFTER ENVIRONMENTAL 3.5 MILLIOHM MAX
- BRAID TO BODY - NOT APPLICABLE
- CORONA LEVEL: NOT APPLICABLE
- INSERTION LOSS: NOT APPLICABLE
- RF LEAKAGE: NOT APPLICABLE
- RF HIGH POTENTIAL WITHSTANDING VOLTAGE: 600 VRMS AT 4 AND 7 MHZ
- MECHANICAL:
 - ENGAGE/DISENGAGE FORCE: INITIAL 14 LBS MAX AFTER DURABILITY 14 LBS MAX
 - ENGAGEMENT, 2 LBS MIN DISENGAGEMENT
 - MATING TORQUE: NOT APPLICABLE
 - COUPLING PROOF TORQUE: NOT APPLICABLE
 - COUPLING NUT RETENTION: NOT APPLICABLE
 - CONTACT RETENTION: 4 LBS MIN AXIAL FORCE
 - CABLE ACCEPTABILITY: NOT APPLICABLE
 - CABLE HEX CRIMP SIZE: NOT APPLICABLE
 - CABLE RETENTION: NOT APPLICABLE
 - DURABILITY: 500 CYCLES MIN
- ENVIRONMENTAL:
 - (MEETS OR EXCEEDS THE APPLICABLE PARAGRAPH OF MIL-C-39012)
 - THERMAL SHOCK: MIL-STD-202, METHOD 107, CONDITION B
 - OPERATING TEMPERATURE: -65 DEG C TO 165 DEG C
 - CORROSION: MIL-STD-202, METHOD 101, CONDITION B
 - SHOCK: MIL-STD-202, METHOD 213, CONDITION B
 - VIBRATION: MIL-STD-202, METHOD 204, CONDITION B

DRAWING NO.	
C - 131-3701-201/210	
REVISIONS	
0	REVISIONS
CHANGED: REVISED AND REDRAWN. WAS "D" SIZE, DATED 5-18-86. SHOCK - CONDITION B WAS C. VIBRATION - CONDITION B WAS D.	
03	04-07-88 EJ/RRR/RJB 4-29-88 ECO 23303
ADDED: P/N 131-3701-201/210 NO NICKEL UNDERPLATE	
CHANGED: RF HIGH POT 4 AND 7 MHZ WAS 5 MHZ	
VERSION UPDATE	
4	2-8-93 RJA/HJA/HBA/ECO 41581 2-15-93
VERSION UPDATE	
5	4-8-93 RJA/HJA/HBA/ECO 41687 4-7-93
ADDED: P/N 131-3701-204	
5a	7-27-94 HJA/HBA/ECO 42633 8-4-94
VERSION UPDATE	
5b	7-13-95 RJA/HJA/HBA/ECO 43562 7-21-95
VERSION UPDATE	
5c	7-23-96 RJA/HJA/HBA/ECO 44120 7-23-96
CHANGED: MATERIAL ITEMS 1 AND 2 P/N 131-3701-204 COPPER WAS BRASS	
* REVISION NUMBER FOLLOWED BY AN ALPHA *	
* CHARACTER INDICATED DRAWING CHANGE *	
* CALL ON PART NUMBER ADDITION ONLY *	
5d	3-29-00 HJA/HBA/ECO 46442 3-29-00

CUSTOMER DRAWING

THIS DRAWING TO BE INTERPRETED PER ANSI Y 14.5M - 1982

"μSTATION"

COMPANY CONFIDENTIAL

TOLERANCE UNLESS OTHERWISE SPECIFIED	DRAWN BY EJ	DATE 8-24-87	
.XX mm	CHECKED BY	DATE	
.XXX	APPROVED BY RRF	DATE 4-8-88	TITLE JACK ASSEMBLY STRAIGHT PC MOUNT SMB
NATL	APPROVED BY RJB	DATE 4-25-88	CODE NO.
FINISH	RELEASE DATE 10-14-86/4-29-88		DRAWING NO. C - 131-3701-201/210
			SCALE 10:1 U/N INCH SHEET 2 OF 2