

## Excellent Integrated System Limited

Stocking Distributor

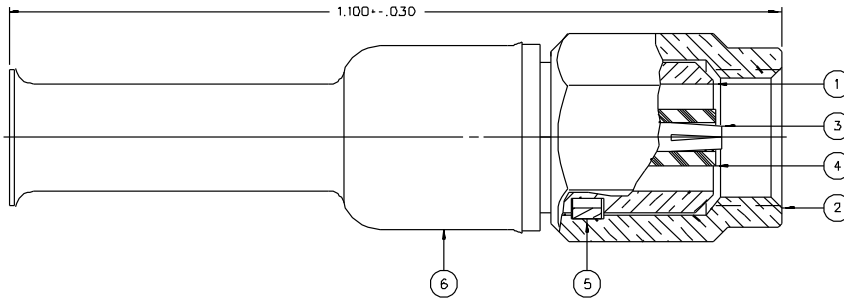
Click to view price, real time Inventory, Delivery & Lifecycle Information:

[Bel Fuse Inc.](#)  
[131-6433-001](#)

For any questions, you can email us directly:  
[sales@integrated-circuit.com](mailto:sales@integrated-circuit.com)

PART NUMBER	ITEM ① BODY	ITEM ② NUT	ITEM ③ CONTACT	ITEM ④ INSULATOR	ITEM ⑤ SPRNG	ITEM ⑥ CRIMP SLEEVE
131-6433-001	BRASS GOLD PL .00001 MIN OVER NICKEL PL .00005 MIN OVER COPPER PL .00005 MIN	BRASS GOLD PL .00001 MN OVER NICKEL PL .00005 MIN OVER COPPER PL .00005 MIN	BERYLLIUM COPPER GOLD PL .00003 MIN OVER NICKEL PL .00005 MIN OVER COPPER PL .00005 MIN	TEFLON	BERYLLIUM COPPER UNPLATED	COPPER GOLD PL .00001 MIN OVER NICKEL PL .00005 MIN OVER COPPER PL .00005 MIN
131-6433-006	BRASS NICKEL PL .0001 MIN OVER COPPER PL .00005 MIN	BRASS NICKEL PL .0001 MIN OVER COPPER PL .00005 MIN	BERYLLIUM COPPER GOLD PL .00003 MIN OVER NICKEL PL .00005 MIN OVER COPPER PL .00005 MIN	TEFLON	BERYLLIUM COPPER UNPLATED	COPPER NICKEL PL .0001 MIN OVER COPPER PL .00005 MIN

DRAWING NO. C - 131-64-33-001/010	
0 REVISIONS	
ENGINEERING RELEASE	
1	4-7-93 R H M J 5-26-93 ECN 42971
VERSION UPDATE	
<small>           * REVISION NUMBER FOLLOWED BY AN ALPHA *            * CHARACTER INDICATES DRAWING CHANGE *            * DATE OR PART NUMBER ADDITION ONLY *         </small>	
to	12-15-94 R H M J 5-26-93 ECN 42971



NOTES:

1. SPECIFICATIONS:

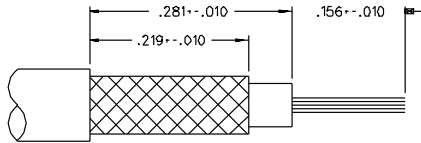
IMPEDANCE: 50 OHMS (MAIN BODY ONLY, USES 75 OHM CABLE)  
 FREQUENCY RANGE: 0-10 GHZ  
 VSWR: NOT APPLICABLE  
 WORKING VOLTAGE: 335 VRMS MAX AT SEA LEVEL  
 DIELECTRIC WITHSTANDING VOLTAGE: 1000 VRMS MIN AT SEA LEVEL  
 INSULATION RESISTANCE: 1000 MEGOHM MIN  
 CONTACT RESISTANCE:  
 CENTER CONTACT - INITIAL 6 MILLIOHM MAX, AFTER ENVIRONMENTAL 8 MILLIOHM MAX  
 OUTER CONDUCTOR - GOLD PLATED INITIAL 1 MILLIOHM MAX, AFTER ENVIRONMENTAL - NOT APPLICABLE  
 NICKEL PLATED INITIAL 2.5 MILLIOHM MAX, AFTER ENVIRONMENTAL - NOT APPLICABLE  
 BRAID TO BODY - INITIAL 1 MILLIOHM MAX (GOLD PLATED) INITIAL 2.5 MILLIOHM MAX (NICKEL PLATED)  
 AFTER ENVIRONMENTAL NOT APPLICABLE  
 CORONA LEVEL: 250 VOLTS MIN AT 70,000 FEET  
 INSERTION LOSS: NOT APPLICABLE  
 RF LEAKAGE: NOT APPLICABLE  
 RF HIGH POTENTIAL WITHSTANDING VOLTAGE: 700 VRMS AT 4 MHZ AND 7 MHZ

MECHANICAL:

ENGAGE/DISENGAGE TORQUE: 16 OUNCE-INCH MAX TORQUE  
 MATING TORQUE: 35-50 OUNCE INCH  
 COUPLING PROOF TORQUE: 100 OUNCE-INCH MIN  
 COUPLING NUT RETENTION: 35 LBS MIN  
 CONTACT RETENTION: 4 LBS MIN AXIAL FORCE  
 CABLE ACCEPTABILITY: RG 179/U, RG 187/U  
 CABLE HEX CRIMP SIZE: .128  
 CABLE RETENTION: 20 LBS MIN OR CABLE BREAKING STRENGTH  
 DURABILITY: 500 CYCLES MIN

ENVIRONMENTAL:

(MEETS OR EXCEEDS THE APPLICABLE PARAGRAPH OF MIL-C-39012)  
 THERMAL SHOCK: MIL-STD-202, METHOD 107, CONDITION B  
 OPERATING TEMPERATURE: -65 DEG C TO 165 DEG C  
 CORROSION: MIL-STD-202, METHOD 101, CONDITION B  
 SHOCK: MIL-STD-202, METHOD 213, CONDITION C  
 VIBRATION: MIL-STD-202, METHOD 204, CONDITION D



CABLE STRIP DIMENSIONS

CUSTOMER DRAWING

THIS DRAWING TO BE INTERPRETED PER ANSI Y 14.5M - 1982

"μSTATION"

COMPANY CONFIDENTIAL

TOLERANCE UNLESS OTHERWISE SPECIFIED	DRAWN BY JRK	DATE 1-18-93	 <small>Cinch Connectivity Solutions          299 Johnson Ave. Ste 100          Worcester, MA 01605          1-800-247-8226</small>
DECIMALS .XX .XXX	CHECKED BY JRK	DATE 4-16-93	
MATERIAL	APPROVED BY JRK	DATE 4-16-93	TITLE PLUG ASSEMBLY, STRAIGHT CABLED SMC, RG 179
FINISH	APPROVED BY TAK/RJB	DATE 4-21-93	CODE NO.
	RELEASE DATE	5-26-93	DRAWING NO. C - 131-64-33-001/010
			SCALE 10:1 U/M INCH SHEET 2 OF 2