

Excellent Integrated System Limited

Stocking Distributor

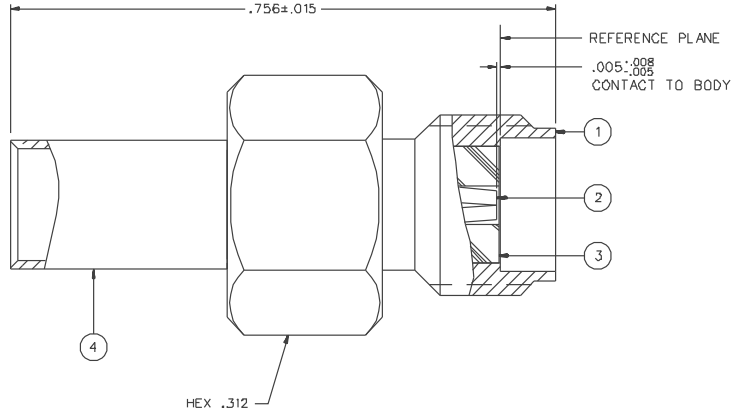
Click to view price, real time Inventory, Delivery & Lifecycle Information:

[Bel Fuse Inc.](#)
[142-0304-016](#)

For any questions, you can email us directly:
sales@integrated-circuit.com

PART NUMBER	ITEM ① BODY	ITEM ② CONTACT	ITEM ③ INSULATOR	ITEM ④ CRIMP SLEEVE
142-0304-D11	BRASS GOLD PL .00001 MIN OVER NICKEL PL .00005 MIN OVER COPPER PL .00005 MIN	BERYLLIUM COPPER GOLD PL .00005 MIN OVER NICKEL PL .00005 MIN OVER COPPER PL .00005 MIN	TEFLON	COPPER GOLD PL .00001 MIN OVER NICKEL PL .00005 MIN OVER COPPER PL .00005 MIN
142-0304-D16	BRASS NICKEL PL .0001 MIN OVER COPPER PL .00005 MIN	BERYLLIUM COPPER GOLD PL .00005 MIN OVER NICKEL PL .00005 MIN OVER COPPER PL .00005 MIN	TEFLON	COPPER NICKEL PL .0001 MIN OVER COPPER PL .00005 MIN

DRAWING NO.	
C - 142-0304-011/020	
REVISIONS	
0	REVISIONS
ENGINEERING RELEASE	
1	8-28-92 R H S I R H S I 9-1-92 EGO 41222
VERSION UPDATE	
1a	4-18-95 R H S I R H S I 4-26-95 ECN 43195
VERSION UPDATE	
1b	5-17-00 R H S I R H S I 8-2-00 ECN 47110
ADDED: CONTACT CRIMP TOOL P/N'S	
REVISION NUMBER FOLLOWED BY AN ALPHA	
CHARACTER INDICATES DRAWING CHANGE	
CAUTION ON PART NUMBER ADDITION ONLY	
1c	11-7-00 R H S I R H S I ECN 47319



NOTES:

I. SPECIFICATIONS:

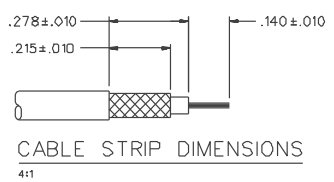
IMPEDANCE: 50 OHMS
 FREQUENCY RANGE: 0-12.4 GHz
 VSWR: 1.15-.02F MAX (F IN GHz)
 WORKING VOLTAGE: 250 VRMS MAX AT SEA LEVEL
 DIELECTRIC WITHSTANDING VOLTAGE: 750 VRMS MIN AT SEA LEVEL
 INSULATION RESISTANCE: 5000 MEGOHM MIN
 CONTACT RESISTANCE:
 CENTER CONTACT - INITIAL 3.0 MILLIOHM MAX, AFTER ENVIRONMENTAL 4.0 MILLIOHM MAX
 OUTER CONDUCTOR - INITIAL 2.0 MILLIOHM MAX AFTER ENVIRONMENTAL NOT APPLICABLE
 BODY TO CABLE - 0.5 MILLIOHM MAX (GOLD PLATED) 5.0 MILLIOHM MAX (NICKEL PLATED)
 CORONA LEVEL: 190 VOLTS MIN AT 70,000 FEET
 INSERTION LOSS: .06 V/F DB MAX (F IN GHz) AT 6 GHz
 RF LEAKAGE: -60 DB MIN AT 2.5 GHz
 RF HIGH POTENTIAL WITHSTANDING VOLTAGE: 500 VRMS MIN AT 4 AND 7 MHz

MECHANICAL:

ENGAGE/DISENGAGE TORQUE: 2 INCH-POUNDS MAX
 MATING TORQUE: 7-10 INCH POUNDS
 COUPLING PROOF TORQUE: NOT APPLICABLE
 COUPLING NUT RETENTION: NOT APPLICABLE
 CONTACT RETENTION: 6 LBS MIN
 CABLE ACCEPTABILITY: RG 316/U DOUBLE SHIELDED
 RG 185/U DOUBLE SHIELDED
 CABLE HEX CRIMP SIZE: .151
 CONTACT CRIMP TOOL: P/N 144-0000-910 WITH POSITIONER 141-0000-907
 CABLE RETENTION: 20 LBS MIN AXIAL FORCE
 DURABILITY: 500 CYCLES MIN

ENVIRONMENTAL:

(MEETS OR EXCEEDS THE APPLICABLE PARAGRAPH OF MIL-C-39012)
 THERMAL SHOCK: MIL-STD-202, METHOD 107, CONDITION B, EXCEPT B5° C HIGH TEMP
 OPERATING TEMPERATURE: -65° C TO 165° C
 CORROSION: MIL-STD-202, METHOD 101, CONDITION B
 SHOCK: MIL-STD-202, METHOD 213, CONDITION I
 VIBRATION: MIL-STD-202, METHOD 204, CONDITION D
 MOISTURE RESISTANCE: MIL-STD-202, METHOD 106



CUSTOMER DRAWING

THIS DRAWING TO BE INTERPRETED PER ANSI Y 14.5M - 1982

"μSTATION"

COMPANY CONFIDENTIAL

TOLERANCE UNLESS OTHERWISE SPECIFIED	DRAWN BY TAK	DATE 5-14-92	 Cinch Connectivity Solutions 299 Johnson Ave. Ste. 100 Worcester, MA 01091 1-800-247-8236
DECIMALS .XX	CHECKED BY	DATE	
.XXX REF	APPROVED BY TAK	DATE 8-28-92	TITLE JACK ASSEMBLY STRAIGHT CABLED SMA, RG 316 DOUBLE SHIELDED
MATL	APPROVED BY RUB	DATE 8-28-92	CODE NO.
FINISH	RELEASE DATE 9-1-92		DRAWING NO. C - 142-0304-011/020
			SCALE 10:1 U/M INCH SHEET 2 OF 2