

## Excellent Integrated System Limited

Stocking Distributor

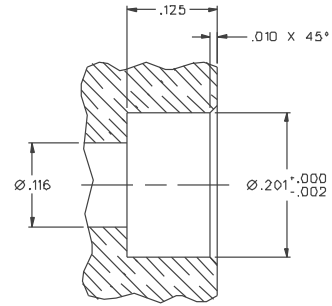
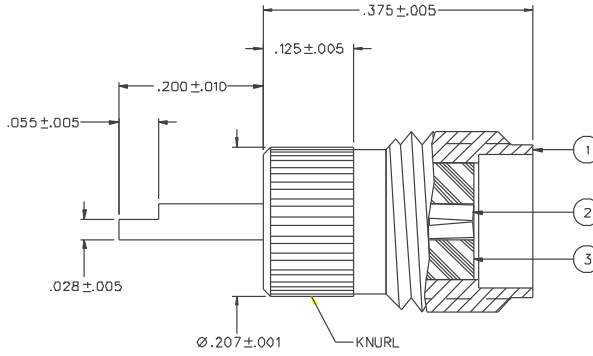
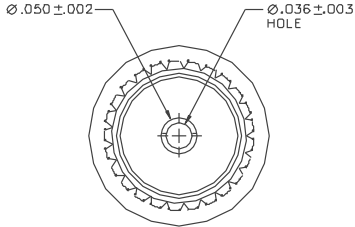
Click to view price, real time Inventory, Delivery & Lifecycle Information:

[Bel Fuse Inc.](#)  
[142-0701-481](#)

For any questions, you can email us directly:  
[sales@integrated-circuit.com](mailto:sales@integrated-circuit.com)

PART NUMBER	ITEM ①	ITEM ②	ITEM ③
142-D701-481	BRASS GOLD PL .00001 MIN OVER NICKEL PL .0001 MIN OVER COPPER PL .00005 MIN	BERYLLIUM COPPER GOLD PL .00005 MIN OVER NICKEL PL .00005 MIN OVER COPPER PL .00005 MIN	TEFLON
142-D701-486	BRASS NICKEL PL .0001 MIN OVER COPPER PL .00005 MIN	BERYLLIUM COPPER GOLD PL .00005 MIN OVER NICKEL PL .00005 MIN OVER COPPER PL .00005 MIN	TEFLON

DRAWING NO. C-142-0701-481/490	
0	REVISIONS
ENGINEERING RELEASE	
1	6-24-98 [Signature] ECN 45623



**MOUNTING HOLE**

NOT INTENDED FOR USE  
 IN MATERIALS HARDER  
 THAN ROCKWELL B82

**NOTES:**

**1. SPECIFICATIONS:**

- IMPEDANCE: 50 OHMS
- FREQUENCY RANGE: 0-18 GHz
- VSWR: DEPENDANT UPON APPLICATION
- WORKING VOLTAGE: 335 VRMS MAX AT SEA LEVEL
- DIELECTRIC WITHSTANDING VOLTAGE: 1000 VRMS MIN AT SEA LEVEL
- INSULATION RESISTANCE: 5000 MEGOHM MIN
- CONTACT RESISTANCE:
  - CENTER CONTACT - INITIAL 3.0 MILLIOHM MAX, AFTER ENVIRONMENTAL 4.0 MILLIOHM MAX
  - OUTER CONDUCTOR - INITIAL 2.0 MILLIOHM MAX AFTER ENVIRONMENTAL NOT APPLICABLE
- BRAID TO BODY - NOT APPLICABLE
- CORONA LEVEL: 250 VOLTS MIN AT 70,000 FEET
- INSERTION LOSS: NOT APPLICABLE
- RF LEAKAGE: NOT APPLICABLE
- RF HIGH POTENTIAL WITHSTANDING VOLTAGE: 670 VRMS MIN AT 4 AND 7 MHZ
- MECHANICAL:
  - ENGAGE/DISENGAGE TORQUE: 2 INCH-POUNDS MAX
  - MATING TORQUE: 7-10 INCH POUNDS
  - COUPLING PROOF TORQUE: NOT APPLICABLE
  - COUPLING NUT RETENTION: NOT APPLICABLE
  - CONTACT RETENTION: 6 LBS MIN AXIAL FORCE
  - 4 IN-OZ RADIAL TORQUE
  - CABLE ACCEPTABILITY: NOT APPLICABLE
  - CABLE HEX CRIMP SIZE: NOT APPLICABLE
  - CABLE RETENTION: NOT APPLICABLE
  - DURABILITY: 500 CYCLES MIN
- ENVIRONMENTAL:
  - (MEETS OR EXCEEDS THE APPLICABLE PARAGRAPH OF MIL-C-39012)
  - THERMAL SHOCK: MIL-STD-202, METHOD 107, CONDITION B
  - OPERATING TEMPERATURE: -65 DEG C TO 165 DEG C
  - CORROSION: MIL-STD-202, METHOD 101, CONDITION B
  - SHOCK: MIL-STD-202, METHOD 213, CONDITION I
  - VIBRATION: MIL-STD-202, METHOD 204, CONDITION D
  - MOISTURE RESISTANCE: MIL-STD-202, METHOD 106

CUSTOMER DRAWING

THIS DRAWING TO BE INTERPRETED  
 PER ANSI Y 14.5M - 1982

"μSTATION"

COMPANY CONFIDENTIAL

TOLERANCE UNLESS OTHERWISE SPECIFIED		DRAWN BY JRK	DATE 4-29-98		TITLE SMA JACK ASSEMBLY, KNURL MOUNT, SOLDER CUP
DECIMALS	mm	CHECKED BY JRK	DATE 7-6-98		
.XXX	REF	APPROVED BY TAK	DATE 7-6-98	CODE NO. DRAWING NO. C-142-0701-481/490	
MATL		APPROVED BY RJB	DATE 7-6-98		
FINISH		RELEASE DATE		SCALE 10:1	U/M INCH SHEET 2 OF 2