

Excellent Integrated System Limited

Stocking Distributor

Click to view price, real time Inventory, Delivery & Lifecycle Information:

[Tamura](#)
[CMF-2100](#)

For any questions, you can email us directly:

sales@integrated-circuit.com

REV. Status

Revision -
07/08/99 TS

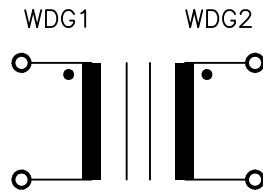
COMMON MODE COIL

A. Electrical Specifications (Ta = +25°C)

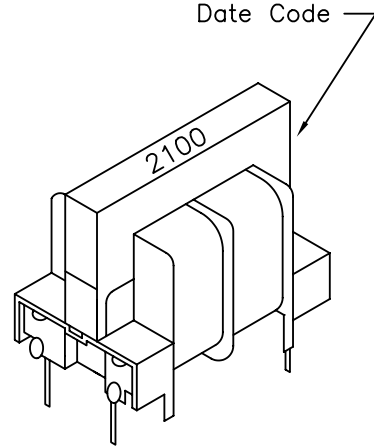
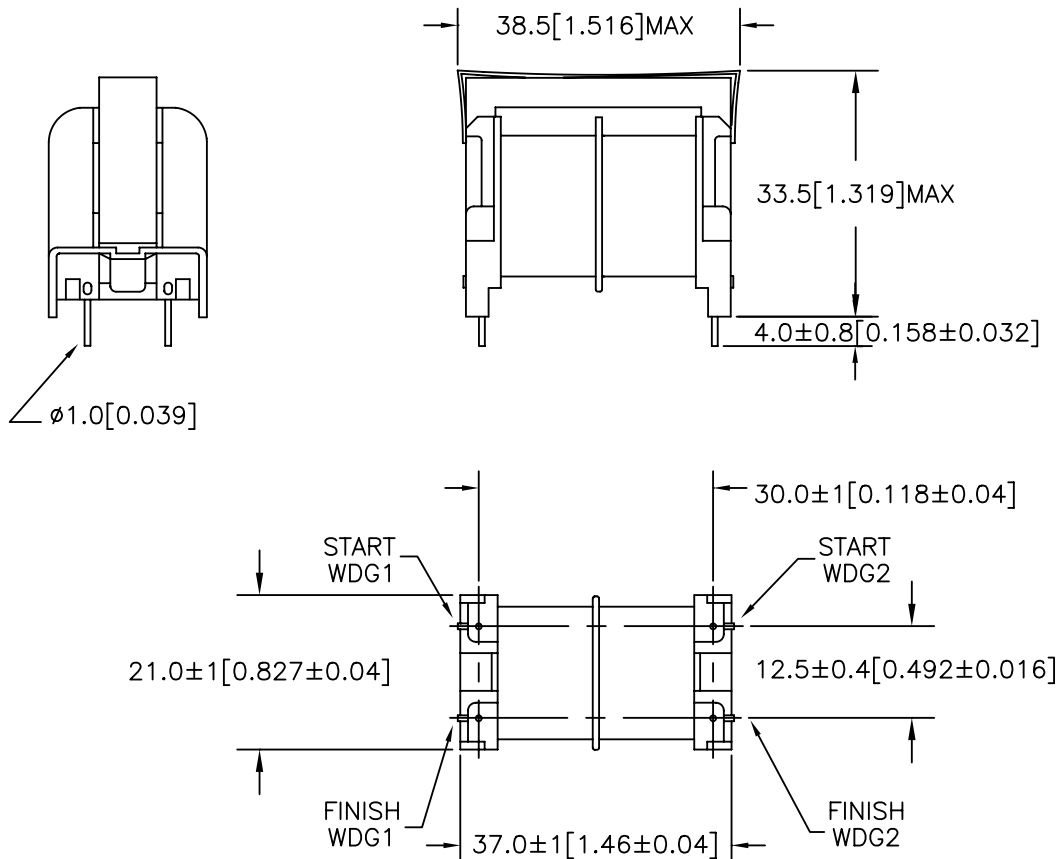
1. Rated Voltage:
250V AC 50/60 Hz
2. Rated Current: 2.2A AC
3. Inductance (@ 1 KHz 1V): 10 mH MIN
4. Insulation Resistance:
DC 500V 100MΩ MIN
Between Winding to Winding
Between Winding to Core
5. Hi-Pot Test:
Winding to Winding AC 2.0 KV
Winding to Core

6. DC Resistance: 0.30Ω MAX
- B. Marking; 2100 and date code

C. Schematic Diagram:



D. Mechanical Specifications:



MODEL NUMBER
CMF-2100

TOLERANCES (mm)

≤ 4	± 0.2
4 ≤ 20	± 0.3
20 ≤ 50	± 0.4

PREPARED BY:

D. Rund

ENGINEER:

T. Shiozawa

QUALITY CONTROL:

D. Kelley

APPROVED:

D. Kelley

DWG CONTROL NO.
P-A4-12198
ACAD\MXFMR\A4121981.DWG

REV
-

COIL
COMMON MODE

CONTENTS OF THIS DRAWING ARE
SUBJECT TO CHANGE WITHOUT
PRIOR NOTICE

TAMURA CORPORATION OF AMERICA
43352 BUSINESS PARK DRIVE, TEMECULA, CA. 92590-6624
(909) 699-1270 FAX 9096769482

CMF-2100

MODEL SPECIFICATION

DIM: mm(In) SCL: 1/2 SH: 1 OF 1

PROPRIETARY NOTICE: THIS DRAWING PRINT OR DOCUMENT AND SUBJECT MATTER DISCLOSED HEREIN ARE PROPRIETARY ITEMS TO WHICH TAMURA RETAINS THE EXCLUSIVE RIGHT OF DISSEMINATION, REPRODUCTION, MANUFACTURE AND SALE. THIS DRAWING, PRINT OR DOCUMENT IS SUBMITTED IN CONFIDENCE FOR CONSIDERATION BY THE RECIPIENT ALONE UNLESS PERMISSION FOR FURTHER DISCLOSURE IS EXPRESSLY GRANTED IN WRITING.