

Excellent Integrated System Limited

Stocking Distributor

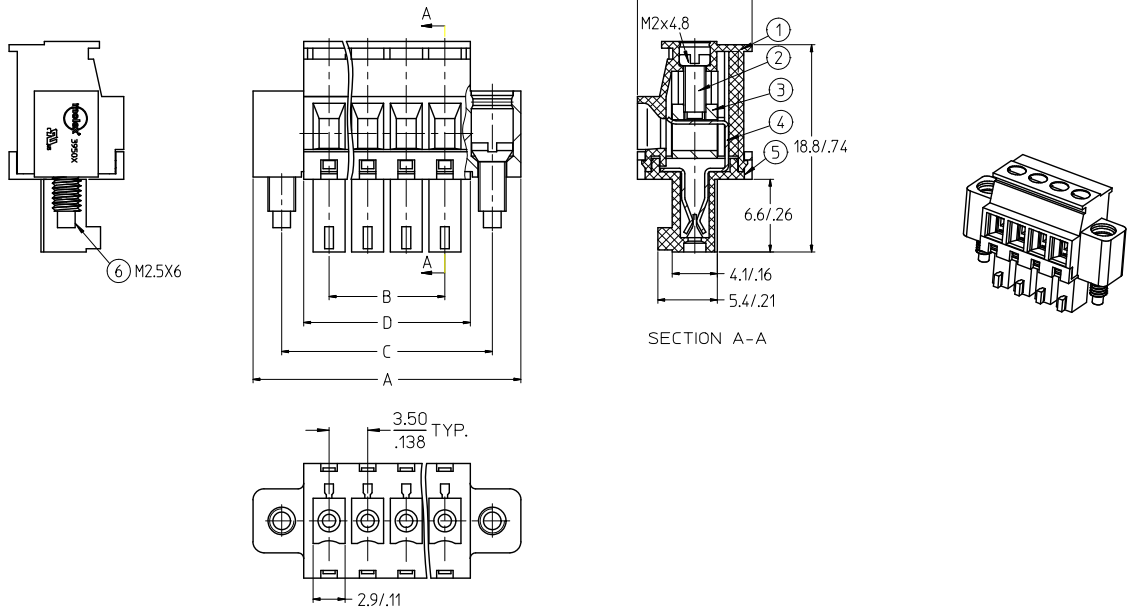
Click to view price, real time Inventory, Delivery & Lifecycle Information:

[Molex Connector Corporation](#)
[0395078011](#)

For any questions, you can email us directly:

sales@integrated-circuit.com

10 9 8 7 6 5 4 3 2 39507



SPECIFICATIONS:

1. MATERIAL:

- (1). BODY: NYLON 66 (PA 66).
- (2). SCREW: STEEL.
- (3). CAGE (*): BRASS
- (4). TERMINAL: PHOSPHOR BRONZE (C)
- (5). COVER: NYLON 66 (PA 66).
- (6). SCREW: STEEL

(C) 2. PRODUCT SPECIFICATION: PS-39500-001.

- 3. WIRE RANGE: 30 - 16AWG.
- 4. TORQUE: 2 in-lbs.
- 5. WIRE STRIP LENGTH: 6.50/256.
- 6. NUMBER OF CIRCUIT POSITIONS AVAILABLE = 2 THROUGH 20.

(C) 7. ASSEMBLY IS ROHS COMPLIANT BY EXEMPTION. COMPONENTS MARKED WITH AN ASTERISK (*) ARE ROHS COMPLIANT BY EXEMPTION, ALL OTHERS ARE ROHS COMPLIANT.

FIX TYPO-TERM MATERIAL EC NO: WNA2010-0708 DRAWN BY: CHENCLYORK 2010/06/29 CHECKED BY: CHKDD11US 2006/03/17 APPROVED BY: 2010/07/09	QUALITY SYMBOLS ▽=0 ▽=0	GENERAL TOLERANCES (UNLESS SPECIFIED)		DIMENSION STYLE		SCALE	DESIGN UNITS	THIRD ANGLE PROJECTION	
			mm	INCH	MM/IN		3:1		INCH
		4 PLACES	± .005	± .0005	DRAWN BY	DATE	TITLE 3.50MM, EURO PLUG, VERTICAL, FRONT WIRE ENTRY, MOUNTING ENDS		
		3 PLACES	± .013	± .01	CHECKED BY	DATE			
2 PLACES	± 0.3	± .01	APPROVED BY	DATE					
1 PLACE	± 0.3	± .01	ANGULAR ± 2 °		MATERIAL NO. RDEROSS 2006/03/17 DOCUMENT NO. SD-39507-001		MOLEX INCORPORATED SHEET NO. 1 OF 2		
DRAFT WHERE APPLICABLE MUST REMAIN WITHIN DIMENSIONS				SEE CHART		THIS DRAWING CONTAINS INFORMATION THAT IS PROPRIETARY TO MOLEX INCORPORATED AND SHOULD NOT BE USED WITHOUT WRITTEN PERMISSION			

9 8 7 6 5 4 3 2 1

10 9 8 7 6 5 4 3 2 39507

Circuit size	Material Numbers												Dimensional Information							
	Black						Green						Dimensional Information							
	100% Tin			30 u" Gold			100% Tin			30 u" Gold			Dim. A		Dim B		Dim C		Dim D	
	Printing Options		Printing Options		Printing Options		Printing Options		Printing Options		Printing Options		mm	inch	mm	inch	mm	inch	mm	inch
2	395073002	395073302	395073402	395073502	395073802	395073902	395078002	395078302	395078402	395078502	395078802	395078902	17.3	.68	3.5	.14	12.1	.48	8.1	.32
3	395073003	395073303	395073403	395073503	395073803	395073903	395078003	395078303	395078403	395078503	395078803	395078903	20.8	.82	7.0	.28	15.6	.61	11.6	.46
4	395073004	395073304	395073404	395073504	395073804	395073904	395078004	395078304	395078404	395078504	395078804	395078904	24.3	.96	10.5	.41	19.1	.75	15.1	.59
5	395073005	395073305	395073405	395073505	395073805	395073905	395078005	395078305	395078405	395078505	395078805	395078905	27.8	1.09	14.0	.55	22.6	.89	18.6	.73
6	395073006	395073306	395073406	395073506	395073806	395073906	395078006	395078306	395078406	395078506	395078806	395078906	31.3	1.23	17.5	.69	26.1	1.03	22.1	.87
7	395073007	395073307	395073407	395073507	395073807	395073907	395078007	395078307	395078407	395078507	395078807	395078907	34.8	1.37	21.0	.83	29.6	1.17	25.6	1.01
8	395073008	395073308	395073408	395073508	395073808	395073908	395078008	395078308	395078408	395078508	395078808	395078908	38.3	1.51	24.5	.97	33.1	1.30	29.1	1.15
9	395073009	395073309	395073409	395073509	395073809	395073909	395078009	395078309	395078409	395078509	395078809	395078909	41.8	1.65	28.0	1.10	36.6	1.44	32.6	1.28
10	395073010	395073310	395073410	395073510	395073810	395073910	395078010	395078310	395078410	395078510	395078810	395078910	45.3	1.78	31.5	1.24	40.1	1.58	36.1	1.42
11	395073011	395073311	395073411	395073511	395073811	395073911	395078011	395078311	395078411	395078511	395078811	395078911	48.8	1.92	35.0	1.38	43.6	1.72	39.6	1.56
12	395073012	395073312	395073412	395073512	395073812	395073912	395078012	395078312	395078412	395078512	395078812	395078912	52.3	2.06	38.5	1.52	47.1	1.85	43.1	1.70
13	395073013	395073313	395073413	395073513	395073813	395073913	395078013	395078313	395078413	395078513	395078813	395078913	55.8	2.20	42.0	1.65	50.6	1.99	46.6	1.83
14	395073014	395073314	395073414	395073514	395073814	395073914	395078014	395078314	395078414	395078514	395078814	395078914	59.3	2.34	45.5	1.79	54.1	2.13	50.1	1.97
15	395073015	395073315	395073415	395073515	395073815	395073915	395078015	395078315	395078415	395078515	395078815	395078915	62.8	2.47	49.0	1.93	57.6	2.27	53.6	2.11
16	395073016	395073316	395073416	395073516	395073816	395073916	395078016	395078316	395078416	395078516	395078816	395078916	66.3	2.61	52.5	2.07	61.1	2.41	57.1	2.25
17	395073017	395073317	395073417	395073517	395073817	395073917	395078017	395078317	395078417	395078517	395078817	395078917	69.8	2.75	56.0	2.21	64.6	2.54	60.6	2.39
18	395073018	395073318	395073418	395073518	395073818	395073918	395078018	395078318	395078418	395078518	395078818	395078918	73.3	2.89	59.5	2.34	68.1	2.68	64.1	2.52
19	395073019	395073319	395073419	395073519	395073819	395073919	395078019	395078319	395078419	395078519	395078819	395078919	76.8	3.02	63.0	2.48	71.6	2.82	67.6	2.66
20	395073020	395073320	395073420	395073520	395073820	395073920	395078020	395078320	395078420	395078520	395078820	395078920	80.3	3.16	66.5	2.62	75.1	2.96	71.1	2.80

SEE SHEET ONE EC NO: WNA2010-0708 2010/06/29 CHRYSLER YORK CHKDDT IUS APPRDT IUS 2006/03/17 2010/07/09	QUALITY SYMBOLS ▽=0 ▽=0	GENERAL TOLERANCES (UNLESS SPECIFIED)		DIMENSION STYLE		SCALE	DESIGN UNITS	THIRD ANGLE PROJECTION
				MM/IN		3:1	INCH	
				DRAWN BY DATE		TITLE		
				CHECKED BY DATE		MOLEX INCORPORATED		
		APPROVED BY DATE		MATERIAL NO.		DOCUMENT NO.		SHEET NO.
		RDEROSS 2006/03/17		SEE CHART		SD-39507-001		2 OF 2
		DRAFT WHERE APPLICABLE MUST REMAIN WITHIN DIMENSIONS		SIZE B		THIS DRAWING CONTAINS INFORMATION THAT IS PROPRIETARY TO MOLEX INCORPORATED AND SHOULD NOT BE USED WITHOUT WRITTEN PERMISSION		

9 8 7 6 5 4 3 2 1