

Excellent Integrated System Limited

Stocking Distributor

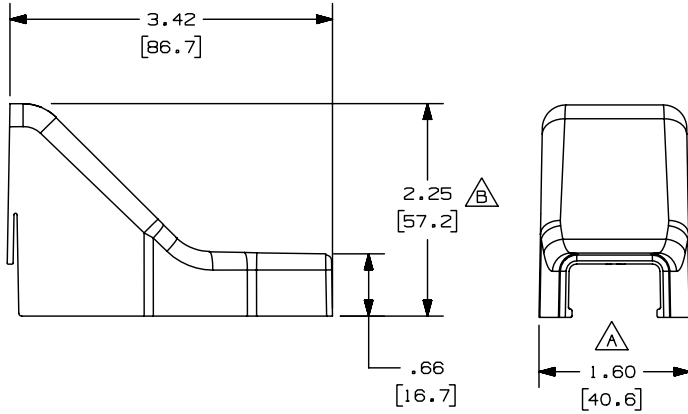
Click to view price, real time Inventory, Delivery & Lifecycle Information:

[Panduit](#)
[DCF5AW-X](#)

For any questions, you can email us directly:
sales@integrated-circuit.com

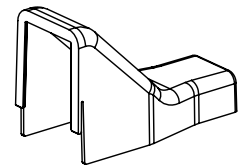
THIS COPY IS PROVIDED ON A RESTRICTED BASIS AND IS NOT TO BE USED IN ANY WAY DETRIMENTAL TO THE INTERESTS OF PANDUIT CORP.

PANDUIT P/N	WEIGHT
DCF5	.040 lbs (18.14 g)



NOTES:

- SEE CURRENT CATALOG FOR ADDITIONAL PART SUFFIXES TO INDICATE COLOR AND OR PACKAGE QUANTITY.
- THE DCF5 FITTING IS USED WITH LD5 AND LDP5 RACEWAYS.
- DIMENSIONS IN PARENTHESIS ARE IN METRIC.



CAD FILENAME/LAYERS D36725DG_DC_DCF5_00E.PRT

REV	DATE	BY	CHK	DESCRIPTION	ECN	R	CUST	SUP						
4	01-20-05	JBN	RMH	E. REVISED WEIGHT OF THE PART	36725-11		RGRO	RGRO						
3	03-08-04	JHEP	RGRO	D. REMOVED CD5 FROM NOTE 2	36725-11		RGRO	RGRO						
2	07-02-02	JHN	RMH	C. REVISED MATERIAL IN DRAWING TITLE BLOCK.	36725-11		RGRO	RGRO						
1	06-18-99	DW	HIW	B. CORRECTED DIMENSION WAS 2.25(57.1); A. CORRECTED DIMENSION WAS 1.59(40.4).	36725-11		HIW	HIW						
R	05-25-99	DW	HIW	RELEASED TO PRODUCTION	36725-11		HIW	HIW						
										<p>PANDUIT CORP. TINLEY PARK, ILLINOIS LD5 DROP CEILING FITTING (DCF5) CUSTOMER DRAWING</p> <p>UNLESS OTHERWISE SPECIFIED, DIMENSIONAL TOLERANCES ARE: (.X) ± (.XXX) ± (.XX) ±.03 (.8) ANGLES ±</p> <p>UNLESS OTHERWISE SPECIFIED, ALL DIMENSIONS ARE GIVEN IN INCHES, THIRD ANGLE PROJECTION.</p> <p>SCALE NONE</p> <p>DRAWING NO. 36725-11 DWG SIZE A</p>				
										<p>CAD FILENAME/LAYERS D36725DG_DC_DCF5_00E.PRT</p>				
										<p>DRAWN BY DW MAT'L: ABS</p>				
										<p>DATE 05-21-99</p>				
										<p>CHK'D HIW</p>				