

Excellent Integrated System Limited

Stocking Distributor

Click to view price, real time Inventory, Delivery & Lifecycle Information:

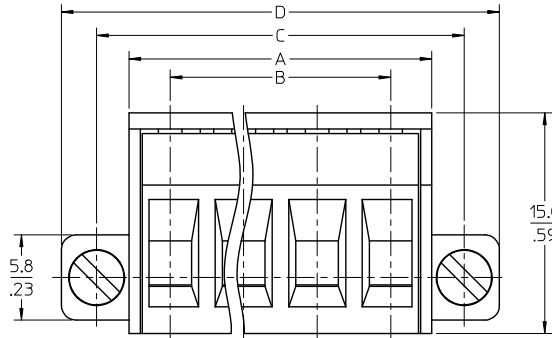
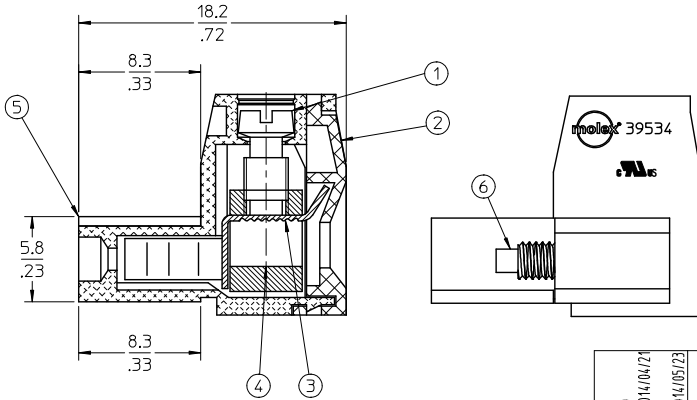
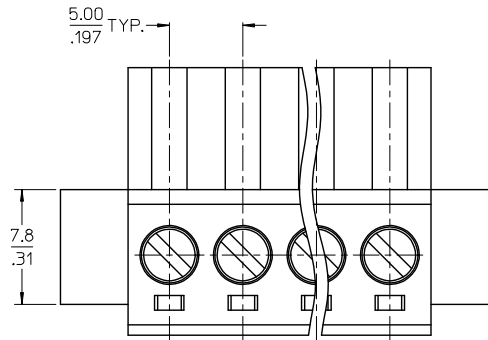
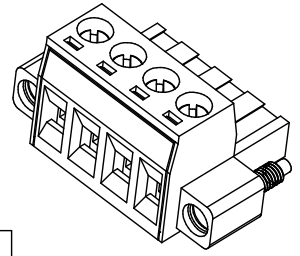
[Molex Connector Corporation](#)
[0395245023](#)

For any questions, you can email us directly:
sales@integrated-circuit.com

10 9 8 7 6 5 4 3 2 39524

SPECIFICATIONS:

1. MATERIAL:
 - (1). SCREW: STEEL
 - (2). COVER: NYLON 66 (UL94V-0) [Ⓒ]
 - (3). TERMINAL: PHOSPHOR BRONZE
 - (4). CAGE (*): BRASS
 - (5). BODY: NYLON 66 (UL94V-0) [Ⓒ]
 - (6). SCREW: STEEL
2. PRODUCT SPECIFICATION: PS-39500-001
3. WIRE RANGE: 30 - 12AWG
4. TORQUE: 5 in-lbs
5. WIRE STRIP LENGTH: 6.50/.256
6. NUMBER OF CIRCUIT POSITIONS AVAILABLE = 2 THROUGH 24
7. ASSEMBLY IS ROHS COMPLIANT BY EXEMPTION
COMPONENTS MARKED WITH AN ASTERISK (*) ARE ROHS COMPLIANT BY EXEMPTION, ALL OTHERS ARE ROHS COMPLIANT



ADD UL94V-0 EC NO: PG2014-1830 DRW: DRWINSTONE CHKD: J.MURPHY APPR: J.MURPHY 2014/04/21 2014/05/23	QUALITY SYMBOLS ▽=0 ▽=0	GENERAL TOLERANCES (UNLESS SPECIFIED) mm INCH 4 PLACES ± .010 ± .004 3 PLACES ± .015 ± .006 2 PLACES ± 0.13 ± .01 1 PLACE ± 0.3 ± .012 ANGULAR ± 2°	DIMENSION STYLE MM/IN	SCALE INCH	DESIGN UNITS INCH	THIRD ANGLE PROJECTION	
	DRAWN BY LROTHAUS	DATE 12/6/05	TITLE 5.0MM, EURO PLUG, RIGHT ANGLE, MOUNTING ENDS	MOLEX INCORPORATED	DOCUMENT NO. SD-39524-001	SHEET NO. 1 OF 2	
	CHECKED BY C. YORK	DATE 01/06/06	APPROVED BY DTITUS	DATE 2010/07/01	MATERIAL NO. SEE SHEET 2		
	DRAFT WHERE APPLICABLE MUST REMAIN WITHIN DIMENSIONS THIS DRAWING CONTAINS INFORMATION THAT IS PROPRIETARY TO MOLEX INCORPORATED AND SHOULD NOT BE USED WITHOUT WRITTEN PERMISSION						

9 8 7 6 5 4 3 2 1

10 9 8 7 6 5 4 3 2 1

Circuit Spec	Wirelead Numbers												Dimensional Information										
	Black						Green						Dim. A				Dim. D						
	100% Tin			30 u" Gold			100% Tin			30 u" Gold			mm		inch		mm		inch				
	Plating Options			Plating Options			Plating Options			Plating Options			mm		inch		mm		inch				
	None	10A	11A	None	10A	11A	None	10A	11A	None	10A	11A	None	10A	11A	mm	inch	mm	inch	mm	inch	mm	inch
2	395240002	395240102	395240202	395240302	395240402	395240502	395245002	395245102	395245202	395245302	395245402	395245502	395245602	395245702	395245802	10.00	0.394	5.00	0.197	15.00	0.591	19.80	0.780
3	395240003	395240103	395240203	395240303	395240403	395240503	395245003	395245103	395245203	395245303	395245403	395245503	395245603	395245703	395245803	15.00	0.591	10.00	0.394	20.00	0.787	24.80	0.976
4	395240004	395240104	395240204	395240304	395240404	395240504	395245004	395245104	395245204	395245304	395245404	395245504	395245604	395245704	395245804	20.00	0.787	15.00	0.591	25.00	0.984	29.80	1.173
5	395240005	395240105	395240205	395240305	395240405	395240505	395245005	395245105	395245205	395245305	395245405	395245505	395245605	395245705	395245805	25.00	0.984	20.00	0.787	30.00	1.191	34.80	1.370
6	395240006	395240106	395240206	395240306	395240406	395240506	395245006	395245106	395245206	395245306	395245406	395245506	395245606	395245706	395245806	30.00	1.191	25.00	0.984	35.00	1.379	39.80	1.567
7	395240007	395240107	395240207	395240307	395240407	395240507	395245007	395245107	395245207	395245307	395245407	395245507	395245607	395245707	395245807	35.00	1.378	30.00	1.181	40.00	1.575	44.80	1.764
9	395240009	395240109	395240209	395240309	395240409	395240509	395245009	395245109	395245209	395245309	395245409	395245509	395245609	395245709	395245809	40.00	1.575	35.00	1.378	45.00	1.772	49.80	1.961
9	395240009	395240109	395240209	395240309	395240409	395240509	395245009	395245109	395245209	395245309	395245409	395245509	395245609	395245709	395245809	45.00	1.772	40.00	1.575	50.00	1.969	54.80	2.157
10	395240010	395240110	395240210	395240310	395240410	395240510	395245010	395245110	395245210	395245310	395245410	395245510	395245610	395245710	395245810	50.00	1.969	45.00	1.772	55.00	2.165	59.80	2.344
11	395240011	395240111	395240211	395240311	395240411	395240511	395245011	395245111	395245211	395245311	395245411	395245511	395245611	395245711	395245811	55.00	2.165	50.00	1.969	60.00	2.362	64.80	2.551
12	395240012	395240112	395240212	395240312	395240412	395240512	395245012	395245112	395245212	395245312	395245412	395245512	395245612	395245712	395245812	60.00	2.362	55.00	2.165	65.00	2.559	69.80	2.740
13	395240013	395240113	395240213	395240313	395240413	395240513	395245013	395245113	395245213	395245313	395245413	395245513	395245613	395245713	395245813	65.00	2.559	60.00	2.362	70.00	2.756	74.80	2.929
14	395240014	395240114	395240214	395240314	395240414	395240514	395245014	395245114	395245214	395245314	395245414	395245514	395245614	395245714	395245814	70.00	2.756	65.00	2.559	75.00	2.953	79.80	3.142
15	395240015	395240115	395240215	395240315	395240415	395240515	395245015	395245115	395245215	395245315	395245415	395245515	395245615	395245715	395245815	75.00	2.953	70.00	2.756	80.00	3.150	84.80	3.330
16	395240016	395240116	395240216	395240316	395240416	395240516	395245016	395245116	395245216	395245316	395245416	395245516	395245616	395245716	395245816	80.00	3.150	75.00	2.953	85.00	3.346	89.80	3.525
17	395240017	395240117	395240217	395240317	395240417	395240517	395245017	395245117	395245217	395245317	395245417	395245517	395245617	395245717	395245817	85.00	3.346	80.00	3.150	90.00	3.543	94.80	3.712
19	395240019	395240119	395240219	395240319	395240419	395240519	395245019	395245119	395245219	395245319	395245419	395245519	395245619	395245719	395245819	90.00	3.543	85.00	3.346	95.00	3.740	99.80	3.903
19	395240019	395240119	395240219	395240319	395240419	395240519	395245019	395245119	395245219	395245319	395245419	395245519	395245619	395245719	395245819	95.00	3.740	90.00	3.543	100.00	3.937	104.80	4.126
20	395240020	395240120	395240220	395240320	395240420	395240520	395245020	395245120	395245220	395245320	395245420	395245520	395245620	395245720	395245820	100.00	3.937	95.00	3.740	105.00	4.134	109.80	4.323
21	395240021	395240121	395240221	395240321	395240421	395240521	395245021	395245121	395245221	395245321	395245421	395245521	395245621	395245721	395245821	105.00	4.134	100.00	3.937	110.00	4.331	114.80	4.510
22	395240022	395240122	395240222	395240322	395240422	395240522	395245022	395245122	395245222	395245322	395245422	395245522	395245622	395245722	395245822	110.00	4.331	105.00	4.134	115.00	4.528	119.80	4.717
23	395240023	395240123	395240223	395240323	395240423	395240523	395245023	395245123	395245223	395245323	395245423	395245523	395245623	395245723	395245823	115.00	4.528	110.00	4.331	120.00	4.724	124.80	4.913
24	395240024	395240124	395240224	395240324	395240424	395240524	395245024	395245124	395245224	395245324	395245424	395245524	395245624	395245724	395245824	120.00	4.724	115.00	4.528	125.00	4.921	129.80	5.110

SEE SHEET 1 EC NO: PG2014-1830 APPROVED BY: J. MURPHY DATE: 2010/05/23	QUALITY SYMBOLS ▽=0 ▽=0	GENERAL TOLERANCES (UNLESS SPECIFIED)		DIMENSION STYLE		SCALE	DESIGN UNITS	THIRD ANGLE PROJECTION	
		mm	INCH	MM/IN		4:1	INCH		
		4 PLACES ±---	±---	DRAWN BY	DATE	TITLE			
		3 PLACES ±---	±.005	LROTHAUS	12/6/05	5.0MM, EURO PLUG RIGHT ANGLE MOUNTING ENDS			
2 PLACES ±0.13	±.01	C. YORK	01/06/06	MOLEX INCORPORATED					
1 PLACE ±0.3	±---	APPROVED BY	DATE	DOCUMENT NO.					
ANGULAR ± 2°		DTITUS	2010/07/01	SD-39524-001					
DRAFT WHERE APPLICABLE MUST REMAIN WITHIN DIMENSIONS		MATERIAL NO.	SEE CHART	SHEET NO.					
		SIZE	B	2 OF 2					
THIS DRAWING CONTAINS INFORMATION THAT IS PROPRIETARY TO MOLEX INCORPORATED AND SHOULD NOT BE USED WITHOUT WRITTEN PERMISSION									

9 8 7 6 5 4 3 2 1