

## Excellent Integrated System Limited

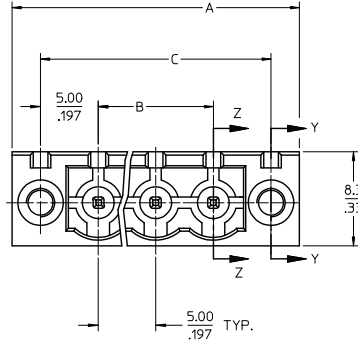
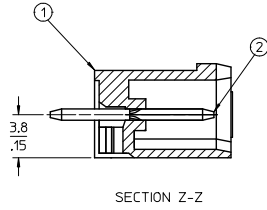
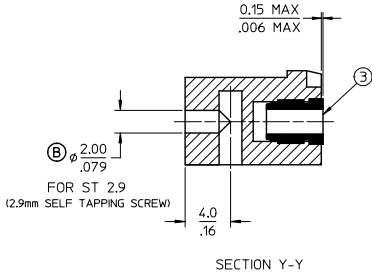
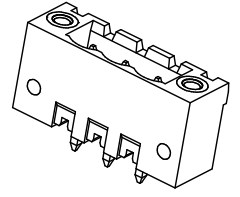
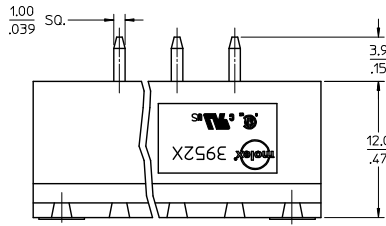
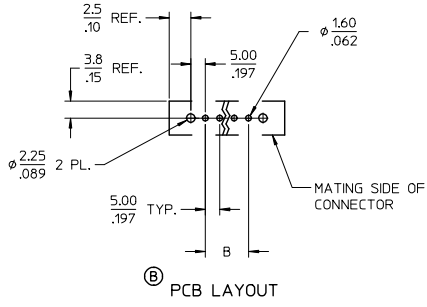
Stocking Distributor

Click to view price, real time Inventory, Delivery & Lifecycle Information:

[Molex Connector Corporation](#)  
[0395250023](#)

For any questions, you can email us directly:

[sales@integrated-circuit.com](mailto:sales@integrated-circuit.com)



**SPECIFICATIONS:**

1. Material:
  - (1). Body: PA66
  - (2). Pin: Brass
  - (3). Threaded insert: Brass
2. Wire range: N/A
3. Electrical rating: 300V, 15A
4. Wire strip length: N/A
5. Operating temperature: -40C to +105C
6. Max torque: N/A
7. Insulation resistance: DC 500V, 500M
8. Dielectric withstand: AC 2500V for 1 minute
9. Breakdown voltage: 4000V.
10. A = (B + 15.0mm)
11. B = (N - 1) x P
13. C = (B + 10mm)
12. P (PITCH) = 5.0mm (.197")
13. N = Number of positions available 2 through 24
14. Dims shown are for reference only

ADD DIMS & PCB LYT EC NO: IF620/6-12/9 DRAWN BY: 20/6/03/ZF CHECKED BY: LSK/20/6/03/ZB APPROVED BY: 20/6/03/ZS	QUALITY SYMBOLS ▽=0 ▽=0	GENERAL TOLERANCES (UNLESS SPECIFIED)		DIMENSION STYLE		SCALE	DESIGN UNITS	THIRD ANGLE PROJECTION	
				MM/IN		4:1	INCH		
				DRAWN BY: LROTHAUS		DATE: 12/6/05		TITLE: 5.0MM, EURO HEADER, VERTICAL, MOUNTING	
				CHECKED BY: C. YORK		DATE: 01/06/06		<b>molex</b>	
		APPROVED BY:		DATE:		DOCUMENT NO. SD-39525-002	SHEET NO. 1 OF 2		
		ANGULAR ± 2°		MATERIAL NO.		DOCUMENT NO.		SHEET NO.	
		DRAFT WHERE APPLICABLE MUST REMAIN WITHIN DIMENSIONS		SEE SHEET 2		SD-39525-002		1 OF 2	
				SIZE C		THIS DRAWING CONTAINS INFORMATION THAT IS PROPRIETARY TO MOLEX INCORPORATED AND SHOULD NOT BE USED WITHOUT WRITTEN PERMISSION			

10 9 8 7 6 5 4 3 2 39525

Description	Circuit Ref	Material Numbers												Dimensional Information											
		Black						Green						Dim. A			Dim. B			Dim. C					
		10% In			30% Gold			10% In			30% Gold			mm		inch		mm		inch		mm		inch	
		Printing Options			Printing Options			Printing Options			Printing Options														
			None	10W	11W	None	10W	11W	None	10W	11W	None	10W	11W	mm	inch	mm	inch	mm	inch	mm	inch			
5.0mm Euro Header, Vertical, Mounting Ends	2	395250002	395250003	395250004	395250005	395250006	395250007	395250008	395250009	395250010	395250011	395250012	395250013	395250014	20.00	0.787	5.00	0.197	15.00	0.591	25.00	0.984			
5.0mm Euro Header, Vertical, Mounting Ends	3	395250003	395250004	395250005	395250006	395250007	395250008	395250009	395250010	395250011	395250012	395250013	395250014	395250015	30.00	1.181	15.00	0.591	25.00	0.984	30.00	1.181			
5.0mm Euro Header, Vertical, Mounting Ends	4	395250004	395250005	395250006	395250007	395250008	395250009	395250010	395250011	395250012	395250013	395250014	395250015	395250016	35.00	1.378	20.00	0.787	30.00	1.181	35.00	1.378			
5.0mm Euro Header, Vertical, Mounting Ends	5	395250005	395250006	395250007	395250008	395250009	395250010	395250011	395250012	395250013	395250014	395250015	395250016	395250017	40.00	1.575	25.00	0.984	35.00	1.378	40.00	1.575			
5.0mm Euro Header, Vertical, Mounting Ends	6	395250006	395250007	395250008	395250009	395250010	395250011	395250012	395250013	395250014	395250015	395250016	395250017	395250018	45.00	1.772	30.00	1.181	40.00	1.575	45.00	1.772			
5.0mm Euro Header, Vertical, Mounting Ends	7	395250007	395250008	395250009	395250010	395250011	395250012	395250013	395250014	395250015	395250016	395250017	395250018	395250019	50.00	1.969	35.00	1.378	45.00	1.772	50.00	1.969			
5.0mm Euro Header, Vertical, Mounting Ends	8	395250008	395250009	395250010	395250011	395250012	395250013	395250014	395250015	395250016	395250017	395250018	395250019	395250020	55.00	2.166	40.00	1.575	50.00	1.969	55.00	2.166			
5.0mm Euro Header, Vertical, Mounting Ends	9	395250009	395250010	395250011	395250012	395250013	395250014	395250015	395250016	395250017	395250018	395250019	395250020	395250021	60.00	2.363	45.00	1.772	55.00	2.166	60.00	2.363			
5.0mm Euro Header, Vertical, Mounting Ends	10	395250010	395250011	395250012	395250013	395250014	395250015	395250016	395250017	395250018	395250019	395250020	395250021	395250022	65.00	2.560	50.00	1.969	60.00	2.363	65.00	2.560			
5.0mm Euro Header, Vertical, Mounting Ends	11	395250011	395250012	395250013	395250014	395250015	395250016	395250017	395250018	395250019	395250020	395250021	395250022	395250023	70.00	2.757	55.00	2.166	65.00	2.560	70.00	2.757			
5.0mm Euro Header, Vertical, Mounting Ends	12	395250012	395250013	395250014	395250015	395250016	395250017	395250018	395250019	395250020	395250021	395250022	395250023	395250024	75.00	2.954	60.00	2.363	70.00	2.757	75.00	2.954			
5.0mm Euro Header, Vertical, Mounting Ends	13	395250013	395250014	395250015	395250016	395250017	395250018	395250019	395250020	395250021	395250022	395250023	395250024	395250025	80.00	3.151	65.00	2.560	75.00	2.954	80.00	3.151			
5.0mm Euro Header, Vertical, Mounting Ends	14	395250014	395250015	395250016	395250017	395250018	395250019	395250020	395250021	395250022	395250023	395250024	395250025	395250026	85.00	3.348	70.00	2.757	80.00	3.151	85.00	3.348			
5.0mm Euro Header, Vertical, Mounting Ends	15	395250015	395250016	395250017	395250018	395250019	395250020	395250021	395250022	395250023	395250024	395250025	395250026	395250027	90.00	3.545	75.00	2.954	85.00	3.348	90.00	3.545			
5.0mm Euro Header, Vertical, Mounting Ends	16	395250016	395250017	395250018	395250019	395250020	395250021	395250022	395250023	395250024	395250025	395250026	395250027	395250028	95.00	3.742	80.00	3.151	90.00	3.545	95.00	3.742			
5.0mm Euro Header, Vertical, Mounting Ends	17	395250017	395250018	395250019	395250020	395250021	395250022	395250023	395250024	395250025	395250026	395250027	395250028	395250029	100.00	3.939	85.00	3.348	95.00	3.742	100.00	3.939			
5.0mm Euro Header, Vertical, Mounting Ends	18	395250018	395250019	395250020	395250021	395250022	395250023	395250024	395250025	395250026	395250027	395250028	395250029	395250030	105.00	4.136	90.00	3.545	100.00	3.939	105.00	4.136			
5.0mm Euro Header, Vertical, Mounting Ends	19	395250019	395250020	395250021	395250022	395250023	395250024	395250025	395250026	395250027	395250028	395250029	395250030	395250031	110.00	4.333	95.00	3.742	105.00	4.136	110.00	4.333			
5.0mm Euro Header, Vertical, Mounting Ends	20	395250020	395250021	395250022	395250023	395250024	395250025	395250026	395250027	395250028	395250029	395250030	395250031	395250032	115.00	4.530	100.00	3.939	110.00	4.333	115.00	4.530			
5.0mm Euro Header, Vertical, Mounting Ends	21	395250021	395250022	395250023	395250024	395250025	395250026	395250027	395250028	395250029	395250030	395250031	395250032	395250033	120.00	4.727	105.00	4.136	115.00	4.333	120.00	4.727			
5.0mm Euro Header, Vertical, Mounting Ends	22	395250022	395250023	395250024	395250025	395250026	395250027	395250028	395250029	395250030	395250031	395250032	395250033	395250034	125.00	4.924	110.00	4.333	120.00	4.727	125.00	4.924			
5.0mm Euro Header, Vertical, Mounting Ends	23	395250023	395250024	395250025	395250026	395250027	395250028	395250029	395250030	395250031	395250032	395250033	395250034	395250035	130.00	5.121	115.00	4.530	125.00	4.924	130.00	5.121			
5.0mm Euro Header, Vertical, Mounting Ends	24	395250024	395250025	395250026	395250027	395250028	395250029	395250030	395250031	395250032	395250033	395250034	395250035	395250036	135.00	5.318	120.00	4.727	130.00	5.121	135.00	5.318			

SHT-2 WAS ME10 DOC EC NO: PG2016-1279 DRWINSTONE 2016/03/27 CHYKOH Z I ELL INSK 2016/03/28 APPREBROUPEI 2016/03/25 REV	QUALITY SYMBOLS ▽=0 ▽=0	GENERAL TOLERANCES (UNLESS SPECIFIED) mm INCH 4 PLACES ± --- ± .0015 3 PLACES ± 0.038 ± .005 2 PLACES ± 0.13 ± .01 1 PLACE ± 0.3 ± --- 0 PLACE ± ± ANGULAR ± 2 ° DRAFT WHERE APPLICABLE MUST REMAIN WITHIN DIMENSIONS	DIMENSION STYLE MM/IN DRAWN BY DATE LROTHAUS 12/16/05 CHECKED BY DATE C. YORK 01/06/06 APPROVED BY DATE	SCALE 1:1 DESIGN UNITS INCH THIRD ANGLE PROJECTION	TITLE 5.0MM, EURO HEADER, VERTICAL, MOUNTING <b>molex</b>	MATERIAL NO. SEE CHART DOCUMENT NO. SD-39525-002	SHEET NO. 2 OF 2
	THIS DRAWING CONTAINS INFORMATION THAT IS PROPRIETARY TO MOLEX INCORPORATED AND SHOULD NOT BE USED WITHOUT WRITTEN PERMISSION						
	SIZE B						
	1b_Frame_B_P_AM.T Rev E1 2012/01/25						

1b\_Frame\_B\_P\_AM.T Rev E1 2012/01/25 9 8 7 6 5 4 3 2 1

10 9 8 7 6 5 4 3 2 1

Description	Circuit size	Material Numbers												Dimensional Information						
		Black						Green						Dim. A		Dim. B		Dim. C		
		100% Tin			30 U' Gold			100% Tin			30 U' Gold			mm	inch	mm	inch	mm	inch	
		Printing Options			Printing Options			Printing Options			Printing Options									
None	10AV	11AV	None	10AV	11AV	None	10AV	11AV	None	10AV	11AV	None	10AV	11AV	mm	inch	mm	inch	mm	inch
5.0mm, Euro Header, Vertical, Mounting Ends	2	395250002	395250002	395250402	395250002	395250802	395250002	395250002	395250302	395255402	395255002	395255002	395255002	395255002	20.00	0.787	5.00	0.197	15.00	0.591
5.0mm, Euro Header, Vertical, Mounting Ends	3	395250003	395250003	395250403	395250003	395250803	395250003	395250003	395250303	395255403	395255003	395255003	395255003	395255003	25.00	0.984	10.00	0.394	20.00	0.787
5.0mm, Euro Header, Vertical, Mounting Ends	4	395250004	395250004	395250404	395250004	395250804	395250004	395250004	395250304	395255404	395255004	395255004	395255004	395255004	30.00	1.181	15.00	0.591	25.00	0.984
5.0mm, Euro Header, Vertical, Mounting Ends	5	395250005	395250005	395250405	395250005	395250805	395250005	395250005	395250305	395255405	395255005	395255005	395255005	395255005	35.00	1.378	20.00	0.787	30.00	1.181
5.0mm, Euro Header, Vertical, Mounting Ends	6	395250006	395250006	395250406	395250006	395250806	395250006	395250006	395250306	395255406	395255006	395255006	395255006	395255006	40.00	1.575	25.00	0.984	35.00	1.378
5.0mm, Euro Header, Vertical, Mounting Ends	7	395250007	395250007	395250407	395250007	395250807	395250007	395250007	395250307	395255407	395255007	395255007	395255007	395255007	45.00	1.772	30.00	1.181	40.00	1.575
5.0mm, Euro Header, Vertical, Mounting Ends	8	395250008	395250008	395250408	395250008	395250808	395250008	395250008	395250308	395255408	395255008	395255008	395255008	395255008	50.00	1.969	35.00	1.378	45.00	1.772
5.0mm, Euro Header, Vertical, Mounting Ends	9	395250009	395250009	395250409	395250009	395250809	395250009	395250009	395250309	395255409	395255009	395255009	395255009	395255009	55.00	2.165	40.00	1.575	50.00	1.969
5.0mm, Euro Header, Vertical, Mounting Ends	10	395250010	395250010	395250410	395250010	395250810	395250010	395250010	395250310	395255410	395255010	395255010	395255010	395255010	60.00	2.362	45.00	1.772	55.00	2.165
5.0mm, Euro Header, Vertical, Mounting Ends	11	395250011	395250011	395250411	395250011	395250811	395250011	395250011	395250311	395255411	395255011	395255011	395255011	395255011	65.00	2.559	50.00	1.969	60.00	2.362
5.0mm, Euro Header, Vertical, Mounting Ends	12	395250012	395250012	395250412	395250012	395250812	395250012	395250012	395250312	395255412	395255012	395255012	395255012	395255012	70.00	2.756	55.00	2.165	65.00	2.559
5.0mm, Euro Header, Vertical, Mounting Ends	13	395250013	395250013	395250413	395250013	395250813	395250013	395250013	395250313	395255413	395255013	395255013	395255013	395255013	75.00	2.953	60.00	2.362	70.00	2.756
5.0mm, Euro Header, Vertical, Mounting Ends	14	395250014	395250014	395250414	395250014	395250814	395250014	395250014	395250314	395255414	395255014	395255014	395255014	395255014	80.00	3.150	65.00	2.559	75.00	2.953
5.0mm, Euro Header, Vertical, Mounting Ends	15	395250015	395250015	395250415	395250015	395250815	395250015	395250015	395250315	395255415	395255015	395255015	395255015	395255015	85.00	3.347	70.00	2.756	80.00	3.150
5.0mm, Euro Header, Vertical, Mounting Ends	16	395250016	395250016	395250416	395250016	395250816	395250016	395250016	395250316	395255416	395255016	395255016	395255016	395255016	90.00	3.543	75.00	2.953	85.00	3.347
5.0mm, Euro Header, Vertical, Mounting Ends	17	395250017	395250017	395250417	395250017	395250817	395250017	395250017	395250317	395255417	395255017	395255017	395255017	395255017	95.00	3.740	80.00	3.150	90.00	3.543
5.0mm, Euro Header, Vertical, Mounting Ends	18	395250018	395250018	395250418	395250018	395250818	395250018	395250018	395250318	395255418	395255018	395255018	395255018	395255018	100.00	3.937	85.00	3.347	95.00	3.740
5.0mm, Euro Header, Vertical, Mounting Ends	19	395250019	395250019	395250419	395250019	395250819	395250019	395250019	395250319	395255419	395255019	395255019	395255019	395255019	105.00	4.134	90.00	3.543	100.00	3.937
5.0mm, Euro Header, Vertical, Mounting Ends	20	395250020	395250020	395250420	395250020	395250820	395250020	395250020	395250320	395255420	395255020	395255020	395255020	395255020	110.00	4.331	95.00	3.740	105.00	4.134
5.0mm, Euro Header, Vertical, Mounting Ends	21	395250021	395250021	395250421	395250021	395250821	395250021	395250021	395250321	395255421	395255021	395255021	395255021	395255021	115.00	4.528	100.00	3.937	110.00	4.331
5.0mm, Euro Header, Vertical, Mounting Ends	22	395250022	395250022	395250422	395250022	395250822	395250022	395250022	395250322	395255422	395255022	395255022	395255022	395255022	120.00	4.724	105.00	4.134	115.00	4.528
5.0mm, Euro Header, Vertical, Mounting Ends	23	395250023	395250023	395250423	395250023	395250823	395250023	395250023	395250323	395255423	395255023	395255023	395255023	395255023	125.00	4.921	110.00	4.331	120.00	4.724
5.0mm, Euro Header, Vertical, Mounting Ends	24	395250024	395250024	395250424	395250024	395250824	395250024	395250024	395250324	395255424	395255024	395255024	395255024	395255024	130.00	5.118	115.00	4.528	125.00	4.921

SEE SHEET 1 EC NO: NE02006-0310 DRN: LROTHAUS 2006/01/08 CHKD: CYORK 2006/01/08 APPR: JFAMILK 2006/01/10 REV:	QUALITY SYMBOLS ▽=0 ▽=0	GENERAL TOLERANCES (UNLESS SPECIFIED) mm INCH 4 PLACES ± --- ± .0015 3 PLACES ± 0.038 ± .005 2 PLACES ± 0.13 ± .01 1 PLACE ± 0.3 ± --- ANGULAR ± 2°	DIMENSION STYLE MM/IN DRAWN BY DATE LROTHAUS 12/6/05 CHECKED BY DATE C. YORK 01/04/06 APPROVED BY DATE	SCALE 4:1 DESIGN UNITS INCH THIRD ANGLE PROJECTION	TITLE 5.0MM, EURO HEADER, VERTICAL, MOUNTING
	DRAFT WHERE APPLICABLE MUST REMAIN WITHIN DIMENSIONS	MATERIAL NO. SEE CHART	DOCUMENT NO. SD-39525-002	SHEET NO. 2 OF 2	
	SIZE B	THIS DRAWING CONTAINS INFORMATION THAT IS PROPRIETARY TO MOLEX INCORPORATED AND SHOULD NOT BE USED WITHOUT WRITTEN PERMISSION	MOLEX INCORPORATED		
				MOLEX INCORPORATED	

9 8 7 6 5 4 3 2 1