

## Excellent Integrated System Limited

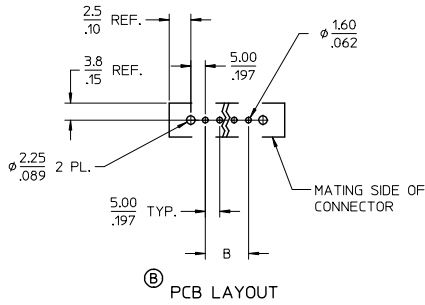
Stocking Distributor

Click to view price, real time Inventory, Delivery & Lifecycle Information:

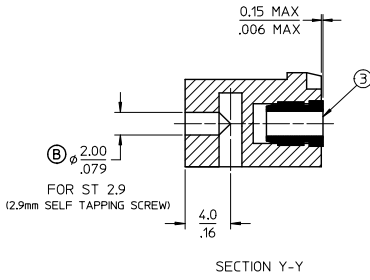
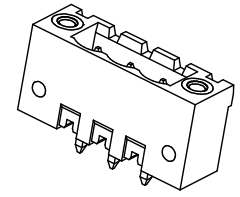
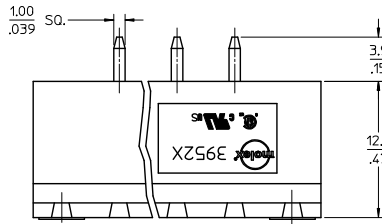
[Molex Connector Corporation](#)  
[0395255013](#)

For any questions, you can email us directly:

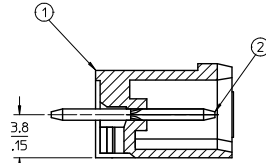
[sales@integrated-circuit.com](mailto:sales@integrated-circuit.com)



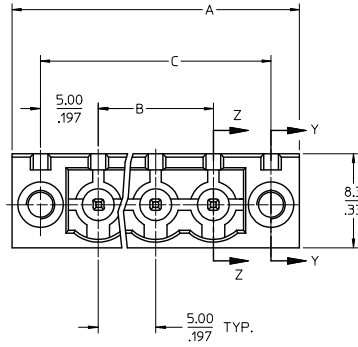
PCB LAYOUT



SECTION Y-Y



SECTION Z-Z



**SPECIFICATIONS:**

1. Material:
  - (1). Body: PA66
  - (2). Pin: Brass
  - (3). Threaded insert: Brass
2. Wire range: N/A
3. Electrical rating: 300V, 15A
4. Wire strip length: N/A
5. Operating temperature: -40C to +105C
6. Max torque: N/A
7. Insulation resistance: DC 500V, 500M
8. Dielectric withstand: AC 2500V for 1 minute
9. Breakdown voltage: 4000V.
10. A = (B + 15.0mm)
11. B = (N - 1) x P
13. C = (B + 10mm)
12. P (PITCH) = 5.0mm (.197")
13. N = Number of positions available 2 through 24
14. Dims shown are for reference only

ADD DIMS & PCB LYT EC NO: IF62016-1279 DRAWN BY: 2016/03/28 CHECKED BY: LMSK/2016/03/28 APPROVED BY: 2016/03/28	QUALITY SYMBOLS	GENERAL TOLERANCES (UNLESS SPECIFIED)	DIMENSION STYLE	SCALE	DESIGN UNITS	THIRD ANGLE PROJECTION
	▽=0 ▽=0	mm INCH 4 PLACES ± .0015 3 PLACES ± 0.038 ± .005 2 PLACES ± 0.13 ± .01 1 PLACE ± 0.3 ± --- 0 PLACE ± ±	MM/IN	4:1	INCH	DRAWN BY: LROTHAUS CHECKED BY: C. YORK APPROVED BY:
	ANGULAR ± 2° DRAFT WHERE APPLICABLE MUST REMAIN WITHIN DIMENSIONS	MATERIAL NO. SEE SHEET 2	DATE: 12/16/05 DATE: 01/06/06 DATE:	TITLE: 5.0MM, EURO HEADER, VERTICAL, MOUNTING	molex	SHEET NO. 1 OF 2
	THIS DRAWING CONTAINS INFORMATION THAT IS PROPRIETARY TO MOLEX INCORPORATED AND SHOULD NOT BE USED WITHOUT WRITTEN PERMISSION	DOCUMENT NO. SD-39525-002				

10 9 8 7 6 5 4 3 2 39525

Description	Circuit Ref	Material Numbers												Dimensional Information													
		Black						Green						Dim. A			Dim. B			Dim. G							
		10% Tin			30µ" Gold			10% Tin			30µ" Gold			mm	inch	mm	inch	mm	inch								
		Printing Options			Printing Options			Printing Options			Printing Options																
5.0mm Euro Header, Vertical, Mounting Ends	2	395250002	395250003	395250004	395250005	395250006	395250007	395250008	395250009	395250010	395250011	395250012	395250013	395250014	20.00	0.787	5.00	0.197	15.00	0.591							
5.0mm Euro Header, Vertical, Mounting Ends	3	395250003	395250004	395250005	395250006	395250007	395250008	395250009	395250010	395250011	395250012	395250013	395250014	25.00	0.984	10.00	0.394	20.00	0.787								
5.0mm Euro Header, Vertical, Mounting Ends	4	395250004	395250005	395250006	395250007	395250008	395250009	395250010	395250011	395250012	395250013	395250014	30.00	1.181	15.00	0.591	25.00	0.984									
5.0mm Euro Header, Vertical, Mounting Ends	5	395250005	395250006	395250007	395250008	395250009	395250010	395250011	395250012	395250013	395250014	35.00	1.379	20.00	0.787	30.00	1.181										
5.0mm Euro Header, Vertical, Mounting Ends	6	395250006	395250007	395250008	395250009	395250010	395250011	395250012	395250013	395250014	40.00	1.575	25.00	0.984	35.00	1.379											
5.0mm Euro Header, Vertical, Mounting Ends	7	395250007	395250008	395250009	395250010	395250011	395250012	395250013	395250014	45.00	1.772	30.00	1.181	40.00	1.575												
5.0mm Euro Header, Vertical, Mounting Ends	8	395250008	395250009	395250010	395250011	395250012	395250013	395250014	50.00	1.969	35.00	1.379	45.00	1.772													
5.0mm Euro Header, Vertical, Mounting Ends	9	395250009	395250010	395250011	395250012	395250013	395250014	55.00	2.166	40.00	1.575	50.00	1.969														
5.0mm Euro Header, Vertical, Mounting Ends	10	395250010	395250011	395250012	395250013	395250014	60.00	2.363	45.00	1.772	55.00	2.166															
5.0mm Euro Header, Vertical, Mounting Ends	11	395250011	395250012	395250013	395250014	65.00	2.560	50.00	1.969	60.00	2.363																
5.0mm Euro Header, Vertical, Mounting Ends	12	395250012	395250013	395250014	70.00	2.757	55.00	2.166	65.00	2.560																	
5.0mm Euro Header, Vertical, Mounting Ends	13	395250013	395250014	75.00	2.954	60.00	2.363	70.00	2.757																		
5.0mm Euro Header, Vertical, Mounting Ends	14	395250014	80.00	3.151	65.00	2.560	75.00	2.954																			
5.0mm Euro Header, Vertical, Mounting Ends	15	395250015	395250016	395250017	395250018	395250019	395250020	395250021	395250022	395250023	395250024	395250025	395250026	395250027	395250028	395250029	395250030	395250031	395250032	395250033	395250034	395250035	395250036	395250037	395250038	395250039	395250040

SHT-2 WAS ME10 DOC EC NO: PG2016-1279 DRAWINGSTONE 2016/03/27 CHKDIA ZIELE INSK 2016/03/28 APPROBUERT 2016/03/25 REV	QUALITY SYMBOLS ▽=0 ▽=0	GENERAL TOLERANCES (UNLESS SPECIFIED) 4 PLACES ± --- ±.0015 3 PLACES ± 0.038 ±.005 2 PLACES ± 0.13 ±.01 1 PLACE ± 0.3 ± --- 0 PLACE ± ±	DIMENSION STYLE MM/IN	SCALE 1:1	DESIGN UNITS INCH	THIRD ANGLE PROJECTION	
	DRAWN BY LROTHAUS	DATE 12/16/05	CHECKED BY C. YORK	DATE 01/06/06	TITLE 5.0MM, EURO HEADER, VERTICAL, MOUNTING		
	MATERIAL NO. SEE CHART			DOCUMENT NO. SD-39525-002			SHEET NO. 2 OF 2
	THIS DRAWING CONTAINS INFORMATION THAT IS PROPRIETARY TO MOLEX INCORPORATED AND SHOULD NOT BE USED WITHOUT WRITTEN PERMISSION						

10 9 8 7 6 5 4 3 2 1

Description	Circuit size	Material Numbers												Dimensional Information							
		Black						Green						Dim. A		Dim. B		Dim. C			
		100% Tin			30 U' Gold			100% Tin			30 U' Gold			mm	inch	mm	inch	mm	inch		
		Printing Options			Printing Options			Printing Options			Printing Options										
None	10AV	11AV	None	10AV	11AV	None	10AV	11AV	None	10AV	11AV	None	10AV	11AV	mm	inch	mm	inch	mm	inch	
5.0mm, Euro Header, Vertical, Mounting Ends	2	39525002	39525032	39525042	39525052	39525062	39525072	39525082	39525092	39525102	39525112	39525122	39525132	39525142	39525152	20.00	0.787	5.00	0.197	15.00	0.591
5.0mm, Euro Header, Vertical, Mounting Ends	3	39525003	39525033	39525043	39525053	39525063	39525073	39525083	39525093	39525103	39525113	39525123	39525133	39525143	39525153	25.00	0.984	10.00	0.394	20.00	0.787
5.0mm, Euro Header, Vertical, Mounting Ends	4	39525004	39525034	39525044	39525054	39525064	39525074	39525084	39525094	39525104	39525114	39525124	39525134	39525144	39525154	30.00	1.181	15.00	0.591	25.00	0.984
5.0mm, Euro Header, Vertical, Mounting Ends	5	39525005	39525035	39525045	39525055	39525065	39525075	39525085	39525095	39525105	39525115	39525125	39525135	39525145	39525155	35.00	1.378	20.00	0.787	30.00	1.181
5.0mm, Euro Header, Vertical, Mounting Ends	6	39525006	39525036	39525046	39525056	39525066	39525076	39525086	39525096	39525106	39525116	39525126	39525136	39525146	39525156	40.00	1.575	25.00	0.984	35.00	1.378
5.0mm, Euro Header, Vertical, Mounting Ends	7	39525007	39525037	39525047	39525057	39525067	39525077	39525087	39525097	39525107	39525117	39525127	39525137	39525147	39525157	45.00	1.772	30.00	1.181	40.00	1.575
5.0mm, Euro Header, Vertical, Mounting Ends	8	39525008	39525038	39525048	39525058	39525068	39525078	39525088	39525098	39525108	39525118	39525128	39525138	39525148	39525158	50.00	1.969	35.00	1.378	45.00	1.772
5.0mm, Euro Header, Vertical, Mounting Ends	9	39525009	39525039	39525049	39525059	39525069	39525079	39525089	39525099	39525109	39525119	39525129	39525139	39525149	39525159	55.00	2.165	40.00	1.575	50.00	1.969
5.0mm, Euro Header, Vertical, Mounting Ends	10	39525010	39525040	39525050	39525060	39525070	39525080	39525090	39525100	39525110	39525120	39525130	39525140	39525150	60.00	2.362	45.00	1.772	55.00	2.165	
5.0mm, Euro Header, Vertical, Mounting Ends	11	39525011	39525041	39525051	39525061	39525071	39525081	39525091	39525101	39525111	39525121	39525131	39525141	39525151	65.00	2.559	50.00	1.969	60.00	2.362	
5.0mm, Euro Header, Vertical, Mounting Ends	12	39525012	39525042	39525052	39525062	39525072	39525082	39525092	39525102	39525112	39525122	39525132	39525142	39525152	70.00	2.756	55.00	2.165	65.00	2.559	
5.0mm, Euro Header, Vertical, Mounting Ends	13	39525013	39525043	39525053	39525063	39525073	39525083	39525093	39525103	39525113	39525123	39525133	39525143	39525153	75.00	2.953	60.00	2.362	70.00	2.756	
5.0mm, Euro Header, Vertical, Mounting Ends	14	39525014	39525044	39525054	39525064	39525074	39525084	39525094	39525104	39525114	39525124	39525134	39525144	39525154	80.00	3.150	65.00	2.559	75.00	2.953	
5.0mm, Euro Header, Vertical, Mounting Ends	15	39525015	39525045	39525055	39525065	39525075	39525085	39525095	39525105	39525115	39525125	39525135	39525145	39525155	85.00	3.347	70.00	2.756	80.00	3.150	
5.0mm, Euro Header, Vertical, Mounting Ends	16	39525016	39525046	39525056	39525066	39525076	39525086	39525096	39525106	39525116	39525126	39525136	39525146	39525156	90.00	3.544	75.00	2.953	85.00	3.347	
5.0mm, Euro Header, Vertical, Mounting Ends	17	39525017	39525047	39525057	39525067	39525077	39525087	39525097	39525107	39525117	39525127	39525137	39525147	39525157	95.00	3.740	80.00	3.150	90.00	3.544	
5.0mm, Euro Header, Vertical, Mounting Ends	18	39525018	39525048	39525058	39525068	39525078	39525088	39525098	39525108	39525118	39525128	39525138	39525148	39525158	100.00	3.937	85.00	3.347	95.00	3.740	
5.0mm, Euro Header, Vertical, Mounting Ends	19	39525019	39525049	39525059	39525069	39525079	39525089	39525099	39525109	39525119	39525129	39525139	39525149	39525159	105.00	4.134	90.00	3.544	100.00	3.937	
5.0mm, Euro Header, Vertical, Mounting Ends	20	39525020	39525050	39525060	39525070	39525080	39525090	39525100	39525110	39525120	39525130	39525140	39525150	110.00	4.331	95.00	3.740	105.00	4.134		
5.0mm, Euro Header, Vertical, Mounting Ends	21	39525021	39525051	39525061	39525071	39525081	39525091	39525101	39525111	39525121	39525131	39525141	39525151	115.00	4.528	100.00	3.937	110.00	4.331		
5.0mm, Euro Header, Vertical, Mounting Ends	22	39525022	39525052	39525062	39525072	39525082	39525092	39525102	39525112	39525122	39525132	39525142	39525152	120.00	4.724	105.00	4.134	115.00	4.528		
5.0mm, Euro Header, Vertical, Mounting Ends	23	39525023	39525053	39525063	39525073	39525083	39525093	39525103	39525113	39525123	39525133	39525143	39525153	125.00	4.921	110.00	4.331	120.00	4.724		
5.0mm, Euro Header, Vertical, Mounting Ends	24	39525024	39525054	39525064	39525074	39525084	39525094	39525104	39525114	39525124	39525134	39525144	39525154	130.00	5.118	115.00	4.528	125.00	4.921		

SEE SHEET 1 EC NO: NEO2006-0310 DRN: LROTHAUS 2006/01/08 CHKD: CYORK 2006/01/08 APPR: JFAMILK 2006/01/10 REV:	QUALITY SYMBOLS ▽=0 ▽=0	GENERAL TOLERANCES (UNLESS SPECIFIED) mm INCH 4 PLACES ± --- ± .0015 3 PLACES ± 0.038 ± .005 2 PLACES ± 0.13 ± .01 1 PLACE ± 0.3 ± --- ANGULAR ± 2°	DIMENSION STYLE MM/IN DRAWN BY DATE LROTHAUS 12/6/05 CHECKED BY DATE C. YORK 01/04/06 APPROVED BY DATE	SCALE 4:1 DESIGN UNITS INCH THIRD ANGLE PROJECTION	TITLE 5.0MM, EURO HEADER, VERTICAL, MOUNTING
	DRAFT WHERE APPLICABLE MUST REMAIN WITHIN DIMENSIONS	MATERIAL NO. SEE CHART	DOCUMENT NO. SD-39525-002	SHEET NO. 2 OF 2	
	SIZE B	THIS DRAWING CONTAINS INFORMATION THAT IS PROPRIETARY TO MOLEX INCORPORATED AND SHOULD NOT BE USED WITHOUT WRITTEN PERMISSION	MOLEX INCORPORATED		
				MOLEX INCORPORATED	

9 8 7 6 5 4 3 2 1