

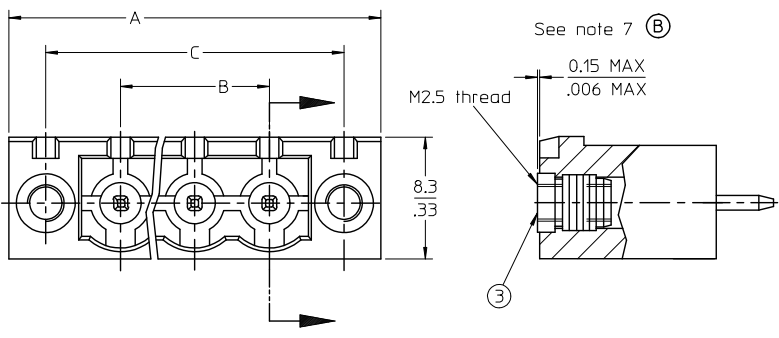
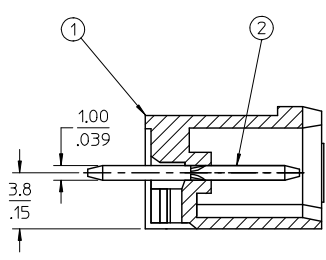
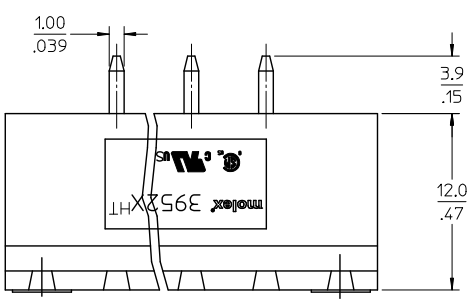
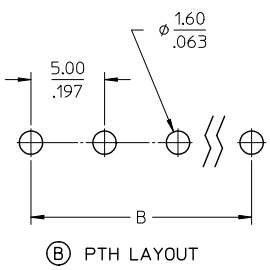
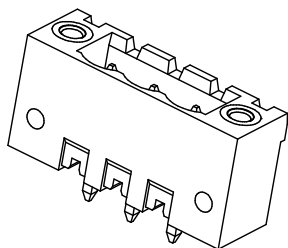
## Excellent Integrated System Limited

Stocking Distributor

Click to view price, real time Inventory, Delivery & Lifecycle Information:

[Molex Connector Corporation](#)  
[0395259010](#)

For any questions, you can email us directly:  
[sales@integrated-circuit.com](mailto:sales@integrated-circuit.com)



**SPECIFICATIONS:**

1. Material:
  - (1). Body: PA46, UL 94V-0
  - (2). Pin: Brass
  - (3). Threaded insert: Brass
2. Electrical rating: 300V, 15A
3. Wire strip length: N/A
3. Operating temperature: -40 to +105°C
5. Max. insert retention force: 11.02 lbf (49.03N) (B)
6. Insulation resistance: DC 500V, 500M
7. Dielectric withstand: AC 2500V for 1 minute
8. Breakdown voltage: 4000V
9. Max soldering temp: 260°C (500°F) for 5 seconds (B)
10. A = (B + 15.0mm)
11. B = (N - 1) x P
13. C = (B + 10mm)
12. P (PITCH) = 5.0mm (.197").
13. N = Number of positions available 2 through 24
14. Dims shown are for reference only (B)

ADD NOT RETENTION NOTE PTH LAYOUT 2014/10/22 DR: JRM/STG CHK: JRM/STG APPR: JRM/STG	QUALITY SYMBOLS	GENERAL TOLERANCES (UNLESS SPECIFIED)	DIMENSION STYLE	SCALE	DESIGN UNITS	THIRD ANGLE PROJECTION
	▽=0 ▽=0	mm INCH 4 PLACES ± --- ± .0015 3 PLACES ± 0.038 ± .005 2 PLACES ± 0.13 ± .01 1 PLACE ± 0.3 ± --- ANGULAR ± 2 °	MM/IN	4:1	INCH	
	DESCRIPTION	DRAFT WHERE APPLICABLE MUST REMAIN WITHIN DIMENSIONS	DRAWN BY DATE LROTHAUS 12/16/05 CHECKED BY DATE C. YORK 01/06/06 APPROVED BY DATE	TITLE	5.0MM, EURO HEADER, VERTICAL, HI-TEMP MOUNTING	
	REV		MATERIAL NO. SEE CHART	DOCUMENT NO. SD-39525-001	MOLEX INCORPORATED	

10 9 8 7 6 5 4 3 2 39525

Description	Circuit Size	Material Numbers												Dimensional Information								
		Black						Green						Dim. A			Dim. B			Dim. C		
		100% Tin			50/50 Gold			100% Tin			50/50 Gold			mm	inch	mm	inch	mm	inch	mm	inch	
		Printing Options			Printing Options			Printing Options			Printing Options											
		None	10PW	11AV	None	10PW	11AV	None	10PW	11AV	None	10PW	11AV	mm	inch	mm	inch	mm	inch			
5.0mm Euro Header, Vertical, Mounting Ends, High Temp	2	395254002	395254302	395254402	395254502	395254602	395254702	395259002	395259302	395259402	395259502	395259602	395259702	20.00	0.787	5.00	0.197	15.00	0.591			
5.0mm Euro Header, Vertical, Mounting Ends, High Temp	3	395254003	395254303	395254403	395254503	395254603	395254703	395259003	395259303	395259403	395259503	395259603	395259703	25.00	0.984	10.00	0.394	20.00	0.787			
5.0mm Euro Header, Vertical, Mounting Ends, High Temp	4	395254004	395254304	395254404	395254504	395254604	395254704	395259004	395259304	395259404	395259504	395259604	395259704	30.00	1.181	15.00	0.591	25.00	0.984			
5.0mm Euro Header, Vertical, Mounting Ends, High Temp	5	395254005	395254305	395254405	395254505	395254605	395254705	395259005	395259305	395259405	395259505	395259605	395259705	35.00	1.378	20.00	0.787	30.00	1.181			
5.0mm Euro Header, Vertical, Mounting Ends, High Temp	6	395254006	395254306	395254406	395254506	395254606	395254706	395259006	395259306	395259406	395259506	395259606	395259706	40.00	1.575	25.00	0.984	35.00	1.378			
5.0mm Euro Header, Vertical, Mounting Ends, High Temp	7	395254007	395254307	395254407	395254507	395254607	395254707	395259007	395259307	395259407	395259507	395259607	395259707	45.00	1.772	30.00	1.181	40.00	1.575			
5.0mm Euro Header, Vertical, Mounting Ends, High Temp	8	395254008	395254308	395254408	395254508	395254608	395254708	395259008	395259308	395259408	395259508	395259608	395259708	50.00	1.969	35.00	1.378	45.00	1.772			
5.0mm Euro Header, Vertical, Mounting Ends, High Temp	9	395254009	395254309	395254409	395254509	395254609	395254709	395259009	395259309	395259409	395259509	395259609	395259709	55.00	2.166	40.00	1.575	50.00	1.969			
5.0mm Euro Header, Vertical, Mounting Ends, High Temp	10	395254010	395254310	395254410	395254510	395254610	395254710	395259010	395259310	395259410	395259510	395259610	395259710	60.00	2.362	45.00	1.772	55.00	2.166			
5.0mm Euro Header, Vertical, Mounting Ends, High Temp	11	395254011	395254311	395254411	395254511	395254611	395254711	395259011	395259311	395259411	395259511	395259611	395259711	65.00	2.559	50.00	1.969	60.00	2.362			
5.0mm Euro Header, Vertical, Mounting Ends, High Temp	12	395254012	395254312	395254412	395254512	395254612	395254712	395259012	395259312	395259412	395259512	395259612	395259712	70.00	2.756	55.00	2.166	65.00	2.559			
5.0mm Euro Header, Vertical, Mounting Ends, High Temp	13	395254013	395254313	395254413	395254513	395254613	395254713	395259013	395259313	395259413	395259513	395259613	395259713	75.00	2.953	60.00	2.362	70.00	2.756			
5.0mm Euro Header, Vertical, Mounting Ends, High Temp	14	395254014	395254314	395254414	395254514	395254614	395254714	395259014	395259314	395259414	395259514	395259614	395259714	80.00	3.150	65.00	2.559	75.00	2.953			
5.0mm Euro Header, Vertical, Mounting Ends, High Temp	15	395254015	395254315	395254415	395254515	395254615	395254715	395259015	395259315	395259415	395259515	395259615	395259715	85.00	3.347	70.00	2.756	80.00	3.150			
5.0mm Euro Header, Vertical, Mounting Ends, High Temp	16	395254016	395254316	395254416	395254516	395254616	395254716	395259016	395259316	395259416	395259516	395259616	395259716	90.00	3.544	75.00	2.953	85.00	3.347			
5.0mm Euro Header, Vertical, Mounting Ends, High Temp	17	395254017	395254317	395254417	395254517	395254617	395254717	395259017	395259317	395259417	395259517	395259617	395259717	95.00	3.741	80.00	3.150	90.00	3.544			
5.0mm Euro Header, Vertical, Mounting Ends, High Temp	18	395254018	395254318	395254418	395254518	395254618	395254718	395259018	395259318	395259418	395259518	395259618	395259718	100.00	3.938	85.00	3.347	95.00	3.741			
5.0mm Euro Header, Vertical, Mounting Ends, High Temp	19	395254019	395254319	395254419	395254519	395254619	395254719	395259019	395259319	395259419	395259519	395259619	395259719	105.00	4.135	90.00	3.544	100.00	3.938			
5.0mm Euro Header, Vertical, Mounting Ends, High Temp	20	395254020	395254320	395254420	395254520	395254620	395254720	395259020	395259320	395259420	395259520	395259620	395259720	110.00	4.331	95.00	3.741	105.00	4.135			
5.0mm Euro Header, Vertical, Mounting Ends, High Temp	21	395254021	395254321	395254421	395254521	395254621	395254721	395259021	395259321	395259421	395259521	395259621	395259721	115.00	4.528	100.00	3.937	110.00	4.331			
5.0mm Euro Header, Vertical, Mounting Ends, High Temp	22	395254022	395254322	395254422	395254522	395254622	395254722	395259022	395259322	395259422	395259522	395259622	395259722	120.00	4.724	105.00	4.134	115.00	4.528			
5.0mm Euro Header, Vertical, Mounting Ends, High Temp	23	395254023	395254323	395254423	395254523	395254623	395254723	395259023	395259323	395259423	395259523	395259623	395259723	125.00	4.921	110.00	4.331	120.00	4.724			
5.0mm Euro Header, Vertical, Mounting Ends, High Temp	24	395254024	395254324	395254424	395254524	395254624	395254724	395259024	395259324	395259424	395259524	395259624	395259724	130.00	5.118	115.00	4.528	125.00	4.921			

SEE SHEET 1 EC NO: PG2015-0765 DRAWING NO: 2014/10/27 CHECKED BY: CHYKOB ARDEN APPROVED BY: JMDRBYH REV: 2014/11/06	QUALITY SYMBOLS ▽=0 ▽=0	GENERAL TOLERANCES (UNLESS SPECIFIED)		DIMENSION STYLE MM/IN		SCALE 1:1	DESIGN UNITS INCH	THIRD ANGLE PROJECTION
		4 PLACES ± --- ± .0015 3 PLACES ± 0.038 ± .005 2 PLACES ± 0.13 ± .01 1 PLACE ± 0.3 ± --- 0 PLACE ± ±	mm INCH	DRAWN BY LROTHAUS	DATE 12/16/05	TITLE 5.0MM, EURO HEADER, VERTICAL, HI-TEMP MOUNTING		
		MATERIAL NO. SEE CHART		DOCUMENT NO. SD-39525-001		SHEET NO. 2 OF 2		
THIS DRAWING CONTAINS INFORMATION THAT IS PROPRIETARY TO MOLEX INCORPORATED AND SHOULD NOT BE USED WITHOUT WRITTEN PERMISSION								

1

10 9 8 7 6 5 4 3 2 1

Description	Circuit size	Material Numbers												Dimensional Information							
		Black						Green						Dim. A	Dim B	Dim C					
		100% Tin			30 u" Gold			100% Tin			30 u" Gold										
		Printing Options			Printing Options			Printing Options			Printing Options			mm	inch	mm					
None	10AV	11AV	None	10AV	11AV	None	10AV	11AV	None	10AV	11AV	None	10AV	11AV	mm	inch	mm	inch			
5.0mm, Euro Header, Vertical, Mounting Ends, High Temp	2	395254002	395254302	395254402	395254502	395254602	395254702	395254802	395254902	395255002	395255102	395255202	395255302	395255402	395255502	20.00	0.787	5.00	0.197	15.00	0.591
5.0mm, Euro Header, Vertical, Mounting Ends, High Temp	3	395254003	395254303	395254403	395254503	395254603	395254703	395254803	395254903	395255003	395255103	395255203	395255303	395255403	395255503	25.00	0.984	10.00	0.394	20.00	0.787
5.0mm, Euro Header, Vertical, Mounting Ends, High Temp	4	395254004	395254304	395254404	395254504	395254604	395254704	395254804	395254904	395255004	395255104	395255204	395255304	395255404	395255504	30.00	1.181	15.00	0.591	25.00	0.984
5.0mm, Euro Header, Vertical, Mounting Ends, High Temp	5	395254005	395254305	395254405	395254505	395254605	395254705	395254805	395254905	395255005	395255105	395255205	395255305	395255405	395255505	35.00	1.378	20.00	0.787	30.00	1.181
5.0mm, Euro Header, Vertical, Mounting Ends, High Temp	6	395254006	395254306	395254406	395254506	395254606	395254706	395254806	395254906	395255006	395255106	395255206	395255306	395255406	395255506	40.00	1.575	25.00	0.984	35.00	1.378
5.0mm, Euro Header, Vertical, Mounting Ends, High Temp	7	395254007	395254307	395254407	395254507	395254607	395254707	395254807	395254907	395255007	395255107	395255207	395255307	395255407	395255507	45.00	1.772	30.00	1.181	40.00	1.575
5.0mm, Euro Header, Vertical, Mounting Ends, High Temp	8	395254008	395254308	395254408	395254508	395254608	395254708	395254808	395254908	395255008	395255108	395255208	395255308	395255408	395255508	50.00	1.969	35.00	1.378	45.00	1.772
5.0mm, Euro Header, Vertical, Mounting Ends, High Temp	9	395254009	395254309	395254409	395254509	395254609	395254709	395254809	395254909	395255009	395255109	395255209	395255309	395255409	395255509	55.00	2.165	40.00	1.575	50.00	1.969
5.0mm, Euro Header, Vertical, Mounting Ends, High Temp	10	395254010	395254310	395254410	395254510	395254610	395254710	395254810	395254910	395255010	395255110	395255210	395255310	395255410	395255510	60.00	2.362	45.00	1.772	55.00	2.165
5.0mm, Euro Header, Vertical, Mounting Ends, High Temp	11	395254011	395254311	395254411	395254511	395254611	395254711	395254811	395254911	395255011	395255111	395255211	395255311	395255411	395255511	65.00	2.559	50.00	1.969	60.00	2.362
5.0mm, Euro Header, Vertical, Mounting Ends, High Temp	12	395254012	395254312	395254412	395254512	395254612	395254712	395254812	395254912	395255012	395255112	395255212	395255312	395255412	395255512	70.00	2.756	55.00	2.165	65.00	2.559
5.0mm, Euro Header, Vertical, Mounting Ends, High Temp	13	395254013	395254313	395254413	395254513	395254613	395254713	395254813	395254913	395255013	395255113	395255213	395255313	395255413	395255513	75.00	2.953	60.00	2.362	70.00	2.756
5.0mm, Euro Header, Vertical, Mounting Ends, High Temp	14	395254014	395254314	395254414	395254514	395254614	395254714	395254814	395254914	395255014	395255114	395255214	395255314	395255414	395255514	80.00	3.150	65.00	2.559	75.00	2.953
5.0mm, Euro Header, Vertical, Mounting Ends, High Temp	15	395254015	395254315	395254415	395254515	395254615	395254715	395254815	395254915	395255015	395255115	395255215	395255315	395255415	395255515	85.00	3.347	70.00	2.756	80.00	3.150
5.0mm, Euro Header, Vertical, Mounting Ends, High Temp	16	395254016	395254316	395254416	395254516	395254616	395254716	395254816	395254916	395255016	395255116	395255216	395255316	395255416	395255516	90.00	3.543	75.00	2.953	85.00	3.347
5.0mm, Euro Header, Vertical, Mounting Ends, High Temp	17	395254017	395254317	395254417	395254517	395254617	395254717	395254817	395254917	395255017	395255117	395255217	395255317	395255417	395255517	95.00	3.740	80.00	3.150	90.00	3.543
5.0mm, Euro Header, Vertical, Mounting Ends, High Temp	18	395254018	395254318	395254418	395254518	395254618	395254718	395254818	395254918	395255018	395255118	395255218	395255318	395255418	395255518	100.00	3.937	85.00	3.347	95.00	3.740
5.0mm, Euro Header, Vertical, Mounting Ends, High Temp	19	395254019	395254319	395254419	395254519	395254619	395254719	395254819	395254919	395255019	395255119	395255219	395255319	395255419	395255519	105.00	4.134	90.00	3.543	100.00	3.937
5.0mm, Euro Header, Vertical, Mounting Ends, High Temp	20	395254020	395254320	395254420	395254520	395254620	395254720	395254820	395254920	395255020	395255120	395255220	395255320	395255420	395255520	110.00	4.331	95.00	3.740	105.00	4.134
5.0mm, Euro Header, Vertical, Mounting Ends, High Temp	21	395254021	395254321	395254421	395254521	395254621	395254721	395254821	395254921	395255021	395255121	395255221	395255321	395255421	395255521	115.00	4.528	100.00	3.937	110.00	4.331
5.0mm, Euro Header, Vertical, Mounting Ends, High Temp	22	395254022	395254322	395254422	395254522	395254622	395254722	395254822	395254922	395255022	395255122	395255222	395255322	395255422	395255522	120.00	4.724	105.00	4.134	115.00	4.528
5.0mm, Euro Header, Vertical, Mounting Ends, High Temp	23	395254023	395254323	395254423	395254523	395254623	395254723	395254823	395254923	395255023	395255123	395255223	395255323	395255423	395255523	125.00	4.921	110.00	4.331	120.00	4.724
5.0mm, Euro Header, Vertical, Mounting Ends, High Temp	24	395254024	395254324	395254424	395254524	395254624	395254724	395254824	395254924	395255024	395255124	395255224	395255324	395255424	395255524	130.00	5.118	115.00	4.528	125.00	4.921

SEE SHEET 1 EC NO: NE02006-0310 DRAWN BY: ROTHHAUS CHKD BY: YORK APPR: JIPAWI/LK 2006/01/09 2006/01/10	QUALITY SYMBOLS ▽=0 ▽=0	GENERAL TOLERANCES (UNLESS SPECIFIED)		DIMENSION STYLE MM/IN		SCALE 4:1	DESIGN UNITS INCH	THIRD ANGLE PROJECTION
		4 PLACES ± --- ± .0015 3 PLACES ± 0.038 ± .005 2 PLACES ± 0.13 ± .01 1 PLACE ± 0.3 ± ---	mm INCH	DRAWN BY ROTHHAUS CHECKED BY YORK APPROVED BY	DATE 12/6/05 01/06/06	TITLE 5.0MM, EURO HEADER, VERTICAL, HIGH-TEMP MOUNTING		
DRAFT WHERE APPLICABLE MUST REMAIN WITHIN DIMENSIONS		MATERIAL NO. SEE CHART		DOCUMENT NO. SD-39525-001		SHEET NO. 2 OF 2		

9 8 7 6 5 4 3 2 1