

Excellent Integrated System Limited

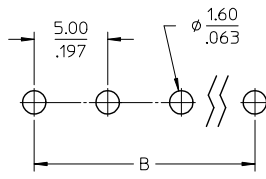
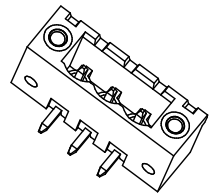
Stocking Distributor

Click to view price, real time Inventory, Delivery & Lifecycle Information:

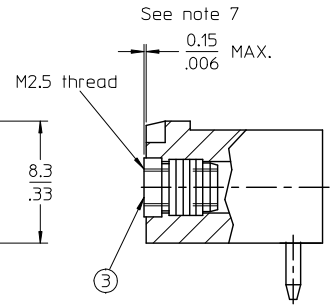
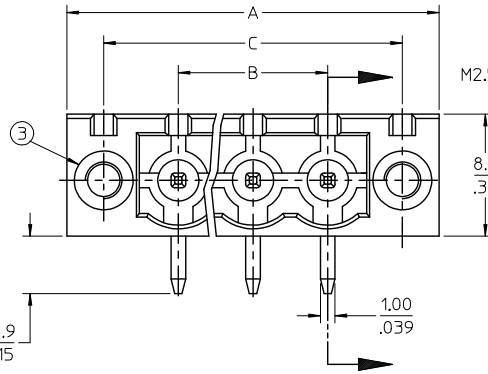
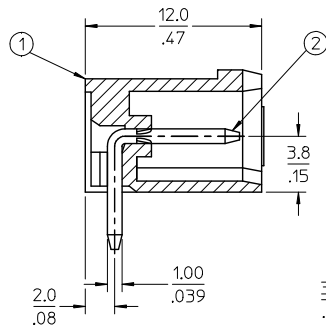
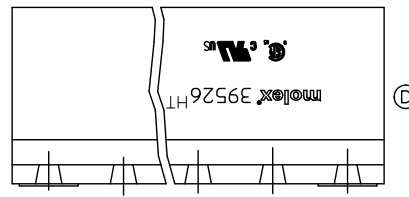
[Molex Connector Corporation](#)
[0395269022](#)

For any questions, you can email us directly:

sales@integrated-circuit.com



PTH LAYOUT



SPECIFICATIONS:

1. Material:
 - (1). Body: PA46, UL 94V-0
 - (2). Pin: Brass
 - (3). Threaded insert: Brass
2. Electrical rating: 300V, 15A
3. Wire strip length: N/A
3. Operating temperature: -40 to +120°C
5. Max. insert retention force: 11.02 lbf (49.03N)
6. Insulation resistance: DC 500V, 500M
7. Dielectric withstand: AC 2500V for 1 minute
8. Breakdown voltage: 4000V
9. Max soldering temp: 260°C (500°F) for 5 seconds
10. A = (B + 15.0mm)
11. B = (N - 1) x P
13. C = (B + 10mm)
12. P (PITCH) = 5.0mm (.197")
13. N = Number of positions available 2 through 24
14. Dims shown are for reference only

MOLEX SERIES WAS 3953X EC NO: IFC2015-1673 DRAWN BY: DRWINSTONE CHECKED BY: CHKDB WOODMAN APPROVED BY: APPREB WUDMAN	QUALITY SYMBOLS	GENERAL TOLERANCES (UNLESS SPECIFIED)		DIMENSION STYLE		SCALE	DESIGN UNITS	THIRD ANGLE PROJECTION
	▽=0	mm	INCH	MM/IN		4:1	INCH	
	▽=0	4 PLACES ± .005	± .005	DRAWN BY	DATE	TITLE		
		3 PLACES ± .013	± .01	LROTHAUS	12/16/05	5.0MM, EURO HEADER, RIGHT ANGLE, HI-TEMP MOUNTING		
	2 PLACES ± 0.3	± .03	CHECKED BY	DATE	Molex MOLEX INCORPORATED			
	1 PLACE ± 0.3	± .03	C. YORK	01/06/06	MATERIAL NO. SEE CHART			
	ANGULAR ± 2°		APPROVED BY	DATE	DOCUMENT NO.		SHEET NO.	
	DRAFT WHERE APPLICABLE MUST REMAIN WITHIN DIMENSIONS				SD-39526-001		1 OF 2	
			SIZE B		THIS DRAWING CONTAINS INFORMATION THAT IS PROPRIETARY TO MOLEX INCORPORATED AND SHOULD NOT BE USED WITHOUT WRITTEN PERMISSION			

10 9 8 7 6 5 4 3 2 39526

Description	Circuit size	Rational Numbers												Dimensional Information								
		Black						Green						Dim A		Dim H		Dim L				
		100% Tin			30 u" Cold			100% Tin			30 u" Cold			mm	inch	mm	inch	mm	inch			
		Printing Options			Printing Options			Printing Options			Printing Options											
	None	10A	11A	None	10A	11A	None	10A	11A	None	10A	11A	None	10A	11A							
5.0mm, Euro Header, Right Angle, Mounting Ends, High Temp	2	395269002	395269102	395269202	395269302	395269402	395269502	395269602	395269702	395269802	395269902	395269002	395269102	395269202	395269302	395269402	20.00	0.787	5.00	0.197	15.00	0.591
5.0mm, Euro Header, Right Angle, Mounting Ends, High Temp	3	395264003	395264103	395264203	395264303	395264403	395264503	395264603	395264703	395264803	395264903	395265003	395265103	395265203	395265303	395265403	25.00	0.984	10.00	0.394	20.00	0.787
5.0mm, Euro Header, Right Angle, Mounting Ends, High Temp	4	395264004	395264104	395264204	395264304	395264404	395264504	395264604	395264704	395264804	395264904	395265004	395265104	395265204	395265304	395265404	30.00	1.181	15.00	0.591	25.00	0.984
5.0mm, Euro Header, Right Angle, Mounting Ends, High Temp	5	395264005	395264105	395264205	395264305	395264405	395264505	395264605	395264705	395264805	395264905	395265005	395265105	395265205	395265305	395265405	35.00	1.378	20.00	0.787	30.00	1.181
5.0mm, Euro Header, Right Angle, Mounting Ends, High Temp	6	395264006	395264106	395264206	395264306	395264406	395264506	395264606	395264706	395264806	395264906	395265006	395265106	395265206	395265306	395265406	40.00	1.575	25.00	0.984	35.00	1.378
5.0mm, Euro Header, Right Angle, Mounting Ends, High Temp	7	395264007	395264107	395264207	395264307	395264407	395264507	395264607	395264707	395264807	395264907	395265007	395265107	395265207	395265307	395265407	45.00	1.772	30.00	1.181	40.00	1.575
5.0mm, Euro Header, Right Angle, Mounting Ends, High Temp	8	395264008	395264108	395264208	395264308	395264408	395264508	395264608	395264708	395264808	395264908	395265008	395265108	395265208	395265308	395265408	50.00	1.969	35.00	1.378	45.00	1.772
5.0mm, Euro Header, Right Angle, Mounting Ends, High Temp	9	395264009	395264109	395264209	395264309	395264409	395264509	395264609	395264709	395264809	395264909	395265009	395265109	395265209	395265309	395265409	55.00	2.166	40.00	1.575	50.00	1.969
5.0mm, Euro Header, Right Angle, Mounting Ends, High Temp	10	395264010	395264110	395264210	395264310	395264410	395264510	395264610	395264710	395264810	395264910	395265010	395265110	395265210	395265310	395265410	60.00	2.363	45.00	1.772	55.00	2.166
5.0mm, Euro Header, Right Angle, Mounting Ends, High Temp	11	395264011	395264111	395264211	395264311	395264411	395264511	395264611	395264711	395264811	395264911	395265011	395265111	395265211	395265311	395265411	65.00	2.560	50.00	1.969	60.00	2.363
5.0mm, Euro Header, Right Angle, Mounting Ends, High Temp	12	395264012	395264112	395264212	395264312	395264412	395264512	395264612	395264712	395264812	395264912	395265012	395265112	395265212	395265312	395265412	70.00	2.757	55.00	2.166	65.00	2.560
5.0mm, Euro Header, Right Angle, Mounting Ends, High Temp	13	395264013	395264113	395264213	395264313	395264413	395264513	395264613	395264713	395264813	395264913	395265013	395265113	395265213	395265313	395265413	75.00	2.954	60.00	2.363	70.00	2.757
5.0mm, Euro Header, Right Angle, Mounting Ends, High Temp	14	395264014	395264114	395264214	395264314	395264414	395264514	395264614	395264714	395264814	395264914	395265014	395265114	395265214	395265314	395265414	80.00	3.151	65.00	2.560	75.00	2.954
5.0mm, Euro Header, Right Angle, Mounting Ends, High Temp	15	395264015	395264115	395264215	395264315	395264415	395264515	395264615	395264715	395264815	395264915	395265015	395265115	395265215	395265315	395265415	85.00	3.348	70.00	2.757	80.00	3.151
5.0mm, Euro Header, Right Angle, Mounting Ends, High Temp	16	395264016	395264116	395264216	395264316	395264416	395264516	395264616	395264716	395264816	395264916	395265016	395265116	395265216	395265316	395265416	90.00	3.545	75.00	2.954	85.00	3.348
5.0mm, Euro Header, Right Angle, Mounting Ends, High Temp	17	395264017	395264117	395264217	395264317	395264417	395264517	395264617	395264717	395264817	395264917	395265017	395265117	395265217	395265317	395265417	95.00	3.742	80.00	3.151	90.00	3.545
5.0mm, Euro Header, Right Angle, Mounting Ends, High Temp	18	395264018	395264118	395264218	395264318	395264418	395264518	395264618	395264718	395264818	395264918	395265018	395265118	395265218	395265318	395265418	100.00	3.939	85.00	3.348	95.00	3.742
5.0mm, Euro Header, Right Angle, Mounting Ends, High Temp	19	395264019	395264119	395264219	395264319	395264419	395264519	395264619	395264719	395264819	395264919	395265019	395265119	395265219	395265319	395265419	105.00	4.136	90.00	3.545	100.00	3.939
5.0mm, Euro Header, Right Angle, Mounting Ends, High Temp	20	395264020	395264120	395264220	395264320	395264420	395264520	395264620	395264720	395264820	395264920	395265020	395265120	395265220	395265320	395265420	110.00	4.333	95.00	3.742	105.00	4.136
5.0mm, Euro Header, Right Angle, Mounting Ends, High Temp	21	395264021	395264121	395264221	395264321	395264421	395264521	395264621	395264721	395264821	395264921	395265021	395265121	395265221	395265321	395265421	115.00	4.530	100.00	3.939	110.00	4.333
5.0mm, Euro Header, Right Angle, Mounting Ends, High Temp	22	395264022	395264122	395264222	395264322	395264422	395264522	395264622	395264722	395264822	395264922	395265022	395265122	395265222	395265322	395265422	120.00	4.727	105.00	4.136	115.00	4.530
5.0mm, Euro Header, Right Angle, Mounting Ends, High Temp	23	395264023	395264123	395264223	395264323	395264423	395264523	395264623	395264723	395264823	395264923	395265023	395265123	395265223	395265323	395265423	125.00	4.924	110.00	4.333	120.00	4.727
5.0mm, Euro Header, Right Angle, Mounting Ends, High Temp	24	395264024	395264124	395264224	395264324	395264424	395264524	395264624	395264724	395264824	395264924	395265024	395265124	395265224	395265324	395265424	130.00	5.121	115.00	4.530	125.00	4.924

SEE SHEET 1 EC NO: PG2015-1673 D DRAINSTONE 2015/03/24 CHKOB WOODMAN 2015/03/24 APPRE WOODMAN 2015/03/24 REV DESCRIPTION	QUALITY SYMBOLS ▽=0 ▽=0	GENERAL TOLERANCES (UNLESS SPECIFIED) mm INCH 4 PLACES ± --- ± --- 3 PLACES ± --- ± .005 2 PLACES ± 0.13 ± .01 1 PLACE ± 0.3 ± --- 0 PLACE ± ±	DIMENSION STYLE MM/IN DRAWN BY DATE LROTHAUS 12/16/05 CHECKED BY DATE C. YORK 01/06/06 APPROVED BY DATE	SCALE 1:1 DESIGN UNITS INCH THIRD ANGLE PROJECTION	TITLE 5.0MM, EURO HEADER, RIGHT ANGLE, HI-TEMP MOUNTING molex	MATERIAL NO. SEE CHART DOCUMENT NO. SD-39526-001 SHEET NO. 2 OF 2
	DRAFT WHERE APPLICABLE MUST REMAIN WITHIN DIMENSIONS		THIS DRAWING CONTAINS INFORMATION THAT IS PROPRIETARY TO MOLEX INCORPORATED AND SHOULD NOT BE USED WITHOUT WRITTEN PERMISSION			

16_Frame_B_P_AM.T 9 8 7 6 5 4 3 2 1 Rev E1 2012/01/25