

Excellent Integrated System Limited

Stocking Distributor

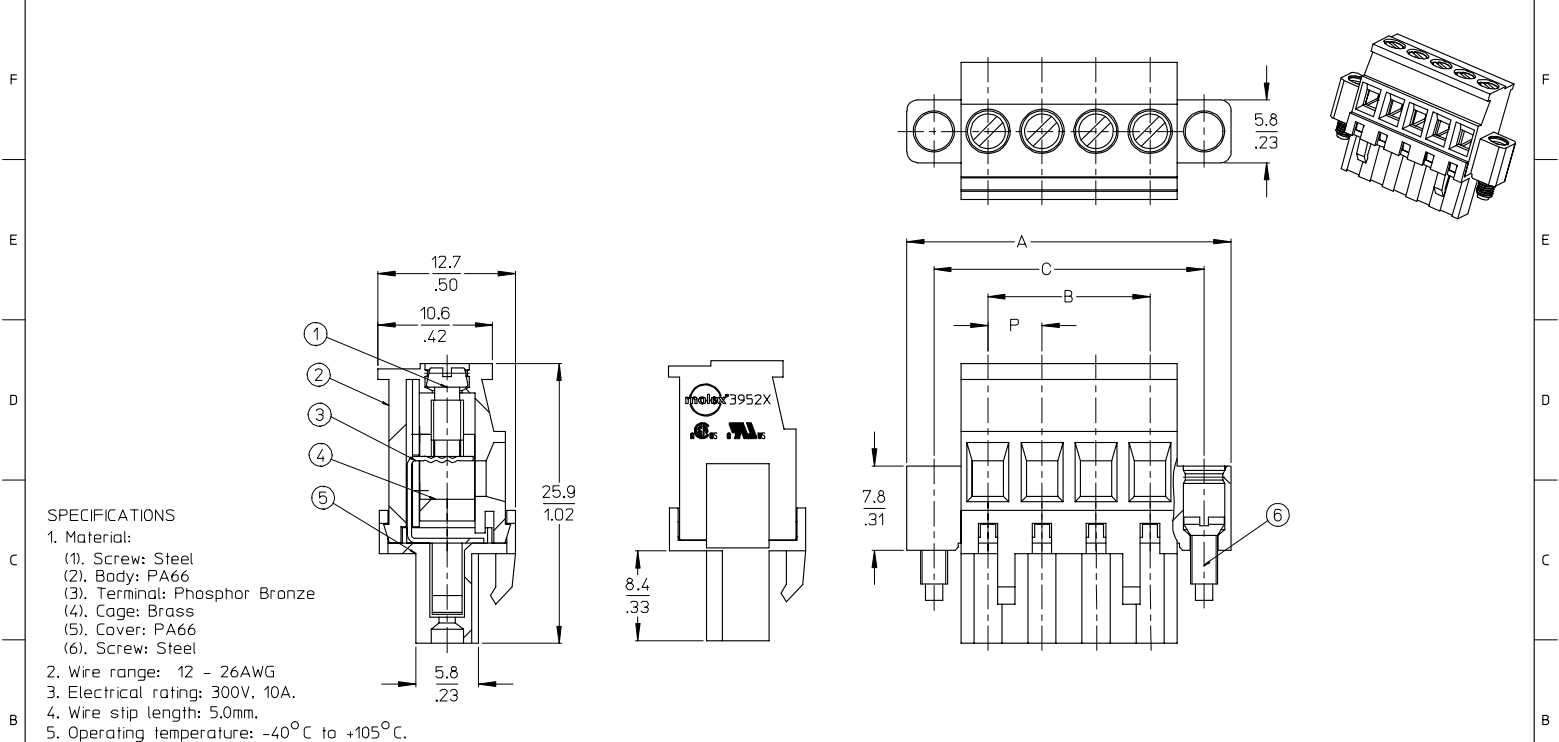
Click to view price, real time Inventory, Delivery & Lifecycle Information:

[Molex Connector Corporation](#)
[0395273011](#)

For any questions, you can email us directly:

sales@integrated-circuit.com

10 9 8 7 6 5 4 3 2 1



SPECIFICATIONS

1. Material:
 - (1). Screw: Steel
 - (2). Body: PA66
 - (3). Terminal: Phosphor Bronze
 - (4). Cage: Brass
 - (5). Cover: PA66
 - (6). Screw: Steel
2. Wire range: 12 - 26AWG
3. Electrical rating: 300V, 10A.
4. Wire strip length: 5.0mm.
5. Operating temperature: -40°C to +105°C.
6. Max torque: 3 in.-lbs.
7. Insulation resistance: DC 500V, 500 Megohms.
8. Dielectric withstand: AC 2500V for 1 minute
9. Breakdown voltage: 4000V
10. Contact resistance: <10 milliohms
11. DIM. A = (N + 2)X P
12. DIM. B = (N - 1)X P
13. DIM. C = (N + 1)X P
14. DIM. P (PITCH) = 5.00mm (.197")
15. N = Number of positions available 2 through 24.
16. ALL COMPONENTS ARE ROHS COMPLIANT.

| | | | | | | | | | | |
|--|-------------------------------|--|-----------------------|-----------------------------------|---------------------------|--|---|--|--|--|
| RELEASE TO PROD EC NO: ETC2006-0308 DRAWN BY C. YORK 2006/03/16 CHECKED BY R. DEROSS 2006/03/16 APPROVED BY R. DEROSS 2006/03/16 | QUALITY SYMBOLS ▽=0 ▽=0 | GENERAL TOLERANCES (UNLESS SPECIFIED) | | DIMENSION STYLE MM/IN | | SCALE 3:1 | DESIGN UNITS INCH | THIRD ANGLE PROJECTION | | |
| | | 4 PLACES ±.30 ±.015 | 3 PLACES ±0.038 ±.005 | 2 PLACES ±0.13 ±.01 | 1 PLACE ±0.3 ±.--- | DRAWN BY C. YORK DATE 2006/03/16 | CHECKED BY R. DEROSS DATE 2006/03/16 | TITLE 5.0MM, EURO PLUG, VERTICAL, REAR WIRE ENTRY WITH MOUNTING ENDS | | |
| | | ANGULAR ± 2° | | | | APPROVED BY R. DEROSS DATE 2006/03/16 | MOLEX INCORPORATED | | | |
| | | DRAFT WHERE APPLICABLE MUST REMAIN WITHIN DIMENSIONS | | MATERIAL NO. SEE SHT. 2 SIZE B | DOCUMENT NO. SD-39527-001 | SHEET NO. 1 OF 2 | | | | |

10 9 8 7 6 5 4 3 2 1

10 9 8 7 6 5 4 3 2 1

| Description | Circuit size | Material Numbers | | | | | | | | | | | | Dimensional Information | | | | | |
|--|--------------|------------------|-----------|-----------|------------------|-----------|-----------|------------------|-----------|-----------|------------------|-----------|-------|-------------------------|-------|-------|-------|-------|------|
| | | Black | | | | | | Green | | | | | | Dim A | | Dim B | | Dim C | |
| | | 100% Tin | | | 30 U' Gold | | | 100% Tin | | | 30 U' Gold | | | mm | inch | mm | inch | mm | inch |
| | | Printing Options | | 11AV | Printing Options | | 11AV | Printing Options | | 11AV | Printing Options | | 11AV | | | | | | |
| 5.0mm Euro Plug, Vertical RWE, Mounting Ends | 2 | 395273002 | 395273002 | 395273402 | 395273502 | 395273602 | 395273702 | 395273802 | 395273902 | 395274002 | 395274102 | 395274202 | 20.0 | 0.79 | 5.0 | 0.20 | 15.0 | 0.59 | |
| 5.0mm Euro Plug, Vertical RWE, Mounting Ends | 3 | 395273003 | 395273003 | 395273403 | 395273503 | 395273603 | 395273703 | 395273803 | 395273903 | 395274003 | 395274103 | 395274203 | 25.0 | 0.98 | 10.0 | 0.39 | 20.0 | 0.79 | |
| 5.0mm Euro Plug, Vertical RWE, Mounting Ends | 4 | 395273004 | 395273004 | 395273404 | 395273504 | 395273604 | 395273704 | 395273804 | 395273904 | 395274004 | 395274104 | 395274204 | 30.0 | 1.18 | 15.0 | 0.59 | 25.0 | 0.98 | |
| 5.0mm Euro Plug, Vertical RWE, Mounting Ends | 5 | 395273005 | 395273005 | 395273405 | 395273505 | 395273605 | 395273705 | 395273805 | 395273905 | 395274005 | 395274105 | 395274205 | 35.0 | 1.38 | 20.0 | 0.79 | 30.0 | 1.18 | |
| 5.0mm Euro Plug, Vertical RWE, Mounting Ends | 6 | 395273006 | 395273006 | 395273406 | 395273506 | 395273606 | 395273706 | 395273806 | 395273906 | 395274006 | 395274106 | 395274206 | 40.0 | 1.58 | 25.0 | 0.98 | 35.0 | 1.38 | |
| 5.0mm Euro Plug, Vertical RWE, Mounting Ends | 7 | 395273007 | 395273007 | 395273407 | 395273507 | 395273607 | 395273707 | 395273807 | 395273907 | 395274007 | 395274107 | 395274207 | 45.0 | 1.77 | 30.0 | 1.18 | 40.0 | 1.58 | |
| 5.0mm Euro Plug, Vertical RWE, Mounting Ends | 8 | 395273008 | 395273008 | 395273408 | 395273508 | 395273608 | 395273708 | 395273808 | 395273908 | 395274008 | 395274108 | 395274208 | 50.0 | 1.97 | 35.0 | 1.38 | 45.0 | 1.77 | |
| 5.0mm Euro Plug, Vertical RWE, Mounting Ends | 9 | 395273009 | 395273009 | 395273409 | 395273509 | 395273609 | 395273709 | 395273809 | 395273909 | 395274009 | 395274109 | 395274209 | 55.0 | 2.17 | 40.0 | 1.58 | 50.0 | 1.97 | |
| 5.0mm Euro Plug, Vertical RWE, Mounting Ends | 10 | 395273010 | 395273010 | 395273410 | 395273510 | 395273610 | 395273710 | 395273810 | 395273910 | 395274010 | 395274110 | 395274210 | 60.0 | 2.36 | 45.0 | 1.77 | 55.0 | 2.17 | |
| 5.0mm Euro Plug, Vertical RWE, Mounting Ends | 11 | 395273011 | 395273011 | 395273411 | 395273511 | 395273611 | 395273711 | 395273811 | 395273911 | 395274011 | 395274111 | 395274211 | 65.0 | 2.56 | 50.0 | 1.97 | 60.0 | 2.36 | |
| 5.0mm Euro Plug, Vertical RWE, Mounting Ends | 12 | 395273012 | 395273012 | 395273412 | 395273512 | 395273612 | 395273712 | 395273812 | 395273912 | 395274012 | 395274112 | 395274212 | 70.0 | 2.76 | 55.0 | 2.17 | 65.0 | 2.56 | |
| 5.0mm Euro Plug, Vertical RWE, Mounting Ends | 13 | 395273013 | 395273013 | 395273413 | 395273513 | 395273613 | 395273713 | 395273813 | 395273913 | 395274013 | 395274113 | 395274213 | 75.0 | 2.95 | 60.0 | 2.36 | 70.0 | 2.76 | |
| 5.0mm Euro Plug, Vertical RWE, Mounting Ends | 14 | 395273014 | 395273014 | 395273414 | 395273514 | 395273614 | 395273714 | 395273814 | 395273914 | 395274014 | 395274114 | 395274214 | 80.0 | 3.15 | 65.0 | 2.56 | 75.0 | 2.95 | |
| 5.0mm Euro Plug, Vertical RWE, Mounting Ends | 15 | 395273015 | 395273015 | 395273415 | 395273515 | 395273615 | 395273715 | 395273815 | 395273915 | 395274015 | 395274115 | 395274215 | 85.0 | 3.35 | 70.0 | 2.76 | 80.0 | 3.15 | |
| 5.0mm Euro Plug, Vertical RWE, Mounting Ends | 16 | 395273016 | 395273016 | 395273416 | 395273516 | 395273616 | 395273716 | 395273816 | 395273916 | 395274016 | 395274116 | 395274216 | 90.0 | 3.54 | 75.0 | 2.95 | 85.0 | 3.35 | |
| 5.0mm Euro Plug, Vertical RWE, Mounting Ends | 17 | 395273017 | 395273017 | 395273417 | 395273517 | 395273617 | 395273717 | 395273817 | 395273917 | 395274017 | 395274117 | 395274217 | 95.0 | 3.74 | 80.0 | 3.15 | 90.0 | 3.54 | |
| 5.0mm Euro Plug, Vertical RWE, Mounting Ends | 18 | 395273018 | 395273018 | 395273418 | 395273518 | 395273618 | 395273718 | 395273818 | 395273918 | 395274018 | 395274118 | 395274218 | 100.0 | 3.94 | 85.0 | 3.35 | 95.0 | 3.74 | |
| 5.0mm Euro Plug, Vertical RWE, Mounting Ends | 19 | 395273019 | 395273019 | 395273419 | 395273519 | 395273619 | 395273719 | 395273819 | 395273919 | 395274019 | 395274119 | 395274219 | 105.0 | 4.13 | 90.0 | 3.54 | 100.0 | 3.94 | |
| 5.0mm Euro Plug, Vertical RWE, Mounting Ends | 20 | 395273020 | 395273020 | 395273420 | 395273520 | 395273620 | 395273720 | 395273820 | 395273920 | 395274020 | 395274120 | 395274220 | 110.0 | 4.33 | 95.0 | 3.74 | 105.0 | 4.13 | |
| 5.0mm Euro Plug, Vertical RWE, Mounting Ends | 21 | 395273021 | 395273021 | 395273421 | 395273521 | 395273621 | 395273721 | 395273821 | 395273921 | 395274021 | 395274121 | 395274221 | 115.0 | 4.53 | 100.0 | 3.94 | 110.0 | 4.33 | |
| 5.0mm Euro Plug, Vertical RWE, Mounting Ends | 22 | 395273022 | 395273022 | 395273422 | 395273522 | 395273622 | 395273722 | 395273822 | 395273922 | 395274022 | 395274122 | 395274222 | 120.0 | 4.72 | 105.0 | 4.13 | 115.0 | 4.53 | |
| 5.0mm Euro Plug, Vertical RWE, Mounting Ends | 23 | 395273023 | 395273023 | 395273423 | 395273523 | 395273623 | 395273723 | 395273823 | 395273923 | 395274023 | 395274123 | 395274223 | 125.0 | 4.92 | 110.0 | 4.33 | 120.0 | 4.72 | |
| 5.0mm Euro Plug, Vertical RWE, Mounting Ends | 24 | 395273024 | 395273024 | 395273424 | 395273524 | 395273624 | 395273724 | 395273824 | 395273924 | 395274024 | 395274124 | 395274224 | 130.0 | 5.12 | 115.0 | 4.53 | 125.0 | 4.92 | |

| | | | | | | | |
|--|-------------------------------|---|-------------------------|--------------------|------------|--|------------------------|
| SEE SHEET 1 IEC NO. ETC 2006-0308 DRINK-YORK CHYK-DEROSS APPROX-DEROSS 2006/03/16 2006/03/16 2006/03/16 | QUALITY SYMBOLS ▽=0 ▽=0 | GENERAL TOLERANCES (UNLESS SPECIFIED) | | DIMENSION STYLE | SCALE | DESIGN UNITS | THIRD ANGLE PROJECTION |
| | | mm | INCH | MM/IN | 3:1 | INCH | |
| | | 4 PLACES ± --- ± .0015 | 3 PLACES ± 0.038 ± .005 | DRAWN BY | DATE | TITLE | |
| | | 2 PLACES ± 0.13 ± .01 | 1 PLACE ± 0.3 ± --- | C. YORK | 2006/03/16 | 5.0MM, EURO PLUG, VERTICAL, REAR WIRE ENTRY WITH MOUNTING ENDS | |
| ANGULAR ± 2° | | CHECKED BY | DATE | MOLEX INCORPORATED | | DOCUMENT NO. | |
| DRAFT WHERE APPLICABLE MUST REMAIN WITHIN DIMENSIONS | | APPROVED BY | DATE | SEE CHART | | SD-39527-001 | |
| | | R. DEROSS | 2006/03/16 | MATERIAL NO. | | SHEET NO. | |
| | | | | SIZE B | | 2 OF 2 | |
| | | THIS DRAWING CONTAINS INFORMATION THAT IS PROPRIETARY TO MOLEX INCORPORATED AND SHOULD NOT BE USED WITHOUT WRITTEN PERMISSION | | | | | |

9 8 7 6 5 4 3 2 1