

## Excellent Integrated System Limited

Stocking Distributor

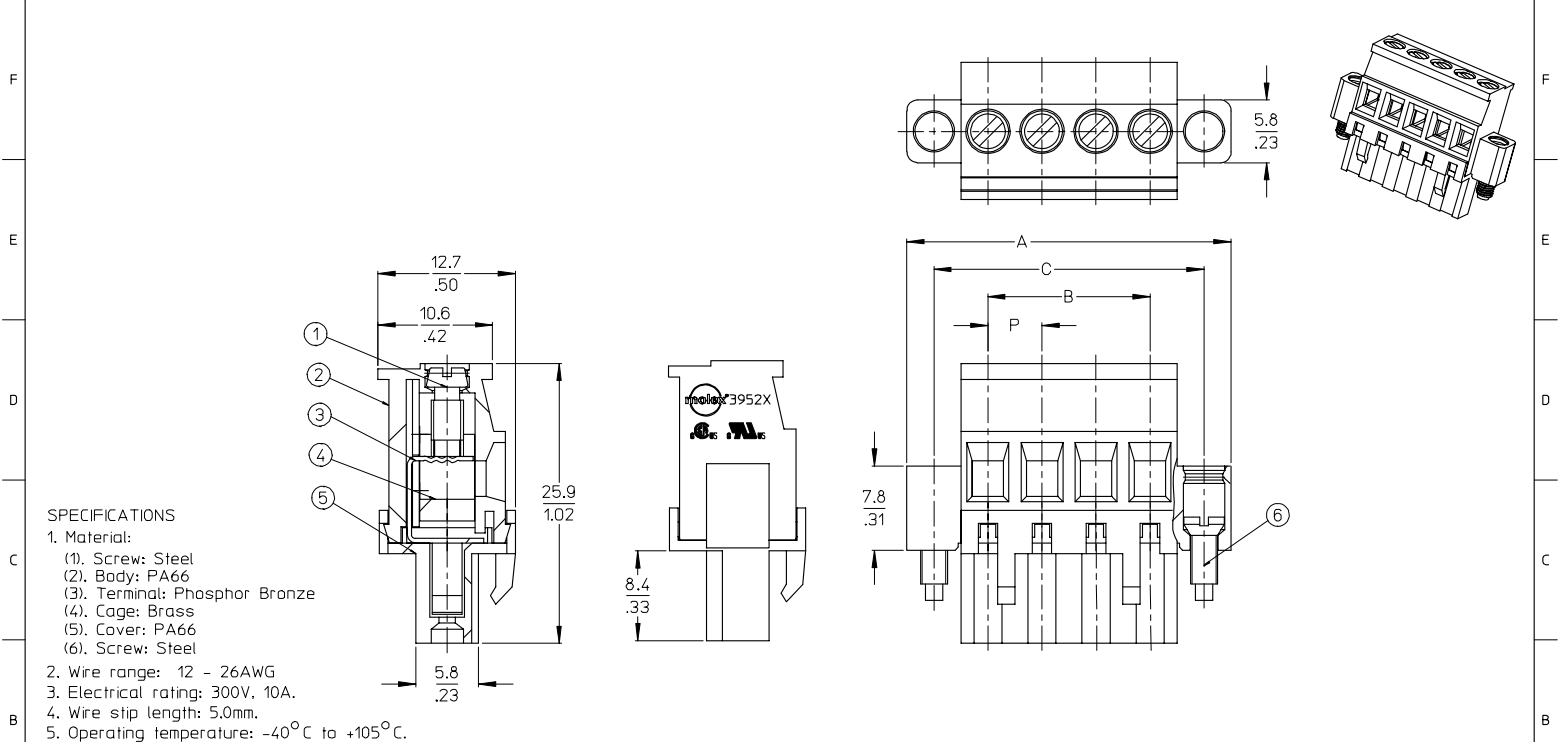
Click to view price, real time Inventory, Delivery & Lifecycle Information:

[Molex Connector Corporation](#)  
[0395273021](#)

For any questions, you can email us directly:

[sales@integrated-circuit.com](mailto:sales@integrated-circuit.com)

10 9 8 7 6 5 4 3 2 1



**SPECIFICATIONS**

1. Material:
  - (1). Screw: Steel
  - (2). Body: PA66
  - (3). Terminal: Phosphor Bronze
  - (4). Cage: Brass
  - (5). Cover: PA66
  - (6). Screw: Steel
2. Wire range: 12 - 26AWG
3. Electrical rating: 300V, 10A.
4. Wire strip length: 5.0mm.
5. Operating temperature: -40°C to +105°C.
6. Max torque: 3 in.-lbs.
7. Insulation resistance: DC 500V, 500 Megohms.
8. Dielectric withstand: AC 2500V for 1 minute
9. Breakdown voltage: 4000V
10. Contact resistance: <10 milliohms
11. DIM. A = (N + 2)X P
12. DIM. B = (N - 1)X P
13. DIM. C = (N + 1)X P
14. DIM. P (PITCH) = 5.00mm (.197")
15. N = Number of positions available 2 through 24.
16. ALL COMPONENTS ARE ROHS COMPLIANT.

RELEASE TO PROD EC NO: ETC2006-0308 DRAWN BY: C. YORK 2006/03/16 CHECKED BY: R. DEROSS 2006/03/16 APPROVED BY: R. DEROSS 2006/03/16	QUALITY SYMBOLS ▽=0 ▽=0	GENERAL TOLERANCES (UNLESS SPECIFIED)		DIMENSION STYLE MM/IN		SCALE 3:1	DESIGN UNITS INCH	THIRD ANGLE PROJECTION		
		4 PLACES ±.30 ±.015	3 PLACES ±0.038 ±.005	2 PLACES ±0.13 ±.01	1 PLACE ±0.3 ±.---	DRAWN BY C. YORK DATE 2006/03/16	CHECKED BY R. DEROSS DATE 2006/03/16	TITLE 5.0MM, EURO PLUG, VERTICAL, REAR WIRE ENTRY WITH MOUNTING ENDS		
		ANGULAR ± 2 °				APPROVED BY R. DEROSS DATE 2006/03/16	MOLEX INCORPORATED			
		DRAFT WHERE APPLICABLE MUST REMAIN WITHIN DIMENSIONS		MATERIAL NO. SEE SHT. 2 SIZE B	DOCUMENT NO. SD-39527-001	SHEET NO. 1 OF 2				

10 9 8 7 6 5 4 3 2 1

10 9 8 7 6 5 4 3 2 1

Description	Circuit size	Material Numbers												Dimensional Information					
		Black						Green						Dim A		Dim B		Dim C	
		100% Tin			30 U' Gold			100% Tin			30 U' Gold			mm	inch	mm	inch	mm	inch
		Printing Options		11AV	Printing Options		11AV	Printing Options		11AV	Printing Options		11AV						
5.0mm Euro Plug, Vertical RWE, Mounting Ends	2	395273002	395273002	395273402	395273502	395273602	395273702	395273802	395273902	395274002	395274102	395274202	20.0	0.79	5.0	0.20	15.0	0.59	
5.0mm Euro Plug, Vertical RWE, Mounting Ends	3	395273003	395273003	395273403	395273503	395273603	395273703	395273803	395273903	395274003	395274103	395274203	25.0	0.98	10.0	0.39	20.0	0.79	
5.0mm Euro Plug, Vertical RWE, Mounting Ends	4	395273004	395273004	395273404	395273504	395273604	395273704	395273804	395273904	395274004	395274104	395274204	30.0	1.18	15.0	0.59	25.0	0.98	
5.0mm Euro Plug, Vertical RWE, Mounting Ends	5	395273005	395273005	395273405	395273505	395273605	395273705	395273805	395273905	395274005	395274105	395274205	35.0	1.38	20.0	0.79	30.0	1.18	
5.0mm Euro Plug, Vertical RWE, Mounting Ends	6	395273006	395273006	395273406	395273506	395273606	395273706	395273806	395273906	395274006	395274106	395274206	40.0	1.58	25.0	0.98	35.0	1.38	
5.0mm Euro Plug, Vertical RWE, Mounting Ends	7	395273007	395273007	395273407	395273507	395273607	395273707	395273807	395273907	395274007	395274107	395274207	45.0	1.77	30.0	1.18	40.0	1.58	
5.0mm Euro Plug, Vertical RWE, Mounting Ends	8	395273008	395273008	395273408	395273508	395273608	395273708	395273808	395273908	395274008	395274108	395274208	50.0	1.97	35.0	1.38	45.0	1.77	
5.0mm Euro Plug, Vertical RWE, Mounting Ends	9	395273009	395273009	395273409	395273509	395273609	395273709	395273809	395273909	395274009	395274109	395274209	55.0	2.17	40.0	1.58	50.0	1.97	
5.0mm Euro Plug, Vertical RWE, Mounting Ends	10	395273010	395273010	395273410	395273510	395273610	395273710	395273810	395273910	395274010	395274110	395274210	60.0	2.36	45.0	1.77	55.0	2.17	
5.0mm Euro Plug, Vertical RWE, Mounting Ends	11	395273011	395273011	395273411	395273511	395273611	395273711	395273811	395273911	395274011	395274111	395274211	65.0	2.56	50.0	1.97	60.0	2.36	
5.0mm Euro Plug, Vertical RWE, Mounting Ends	12	395273012	395273012	395273412	395273512	395273612	395273712	395273812	395273912	395274012	395274112	395274212	70.0	2.76	55.0	2.17	65.0	2.56	
5.0mm Euro Plug, Vertical RWE, Mounting Ends	13	395273013	395273013	395273413	395273513	395273613	395273713	395273813	395273913	395274013	395274113	395274213	75.0	2.95	60.0	2.36	70.0	2.76	
5.0mm Euro Plug, Vertical RWE, Mounting Ends	14	395273014	395273014	395273414	395273514	395273614	395273714	395273814	395273914	395274014	395274114	395274214	80.0	3.15	65.0	2.56	75.0	2.95	
5.0mm Euro Plug, Vertical RWE, Mounting Ends	15	395273015	395273015	395273415	395273515	395273615	395273715	395273815	395273915	395274015	395274115	395274215	85.0	3.35	70.0	2.76	80.0	3.15	
5.0mm Euro Plug, Vertical RWE, Mounting Ends	16	395273016	395273016	395273416	395273516	395273616	395273716	395273816	395273916	395274016	395274116	395274216	90.0	3.54	75.0	2.95	85.0	3.35	
5.0mm Euro Plug, Vertical RWE, Mounting Ends	17	395273017	395273017	395273417	395273517	395273617	395273717	395273817	395273917	395274017	395274117	395274217	95.0	3.74	80.0	3.15	90.0	3.54	
5.0mm Euro Plug, Vertical RWE, Mounting Ends	18	395273018	395273018	395273418	395273518	395273618	395273718	395273818	395273918	395274018	395274118	395274218	100.0	3.94	85.0	3.35	95.0	3.74	
5.0mm Euro Plug, Vertical RWE, Mounting Ends	19	395273019	395273019	395273419	395273519	395273619	395273719	395273819	395273919	395274019	395274119	395274219	105.0	4.13	90.0	3.54	100.0	3.94	
5.0mm Euro Plug, Vertical RWE, Mounting Ends	20	395273020	395273020	395273420	395273520	395273620	395273720	395273820	395273920	395274020	395274120	395274220	110.0	4.33	95.0	3.74	105.0	4.13	
5.0mm Euro Plug, Vertical RWE, Mounting Ends	21	395273021	395273021	395273421	395273521	395273621	395273721	395273821	395273921	395274021	395274121	395274221	115.0	4.53	100.0	3.94	110.0	4.33	
5.0mm Euro Plug, Vertical RWE, Mounting Ends	22	395273022	395273022	395273422	395273522	395273622	395273722	395273822	395273922	395274022	395274122	395274222	120.0	4.72	105.0	4.13	115.0	4.53	
5.0mm Euro Plug, Vertical RWE, Mounting Ends	23	395273023	395273023	395273423	395273523	395273623	395273723	395273823	395273923	395274023	395274123	395274223	125.0	4.92	110.0	4.33	120.0	4.72	
5.0mm Euro Plug, Vertical RWE, Mounting Ends	24	395273024	395273024	395273424	395273524	395273624	395273724	395273824	395273924	395274024	395274124	395274224	130.0	5.12	115.0	4.53	125.0	4.92	

SEE SHEET 1 IEC NO. ETC 2006-0308 DRWING:YORK CHK:CDERROSS APPR:RDERROSS 2006/03/16 2006/03/16 2006/03/16	QUALITY SYMBOLS ▽=0 ▽=0	GENERAL TOLERANCES (UNLESS SPECIFIED)		DIMENSION STYLE	SCALE	DESIGN UNITS	THIRD ANGLE PROJECTION	
		mm	INCH	MM/IN	3:1	INCH		
		4 PLACES ± --- ± .0015	3 PLACES ± 0.038 ± .005	DRAWN BY	DATE	TITLE	5.0MM, EURO PLUG, VERTICAL, REAR WIRE ENTRY WITH MOUNTING ENDS MOLEX INCORPORATED	
		2 PLACES ± 0.13 ± .01	1 PLACE ± 0.3 ± ---	C. YORK	2006/03/16			
ANGULAR ± 2°		APPROVED BY	DATE	MATERIAL NO.	DOCUMENT NO.	SHEET NO.		
DRAFT WHERE APPLICABLE MUST REMAIN WITHIN DIMENSIONS		R. DERROSS	2006/03/16	SEE CHART	SD-39527-001	2 OF 2		
				SIZE B	THIS DRAWING CONTAINS INFORMATION THAT IS PROPRIETARY TO MOLEX INCORPORATED AND SHOULD NOT BE USED WITHOUT WRITTEN PERMISSION			

9 8 7 6 5 4 3 2 1