

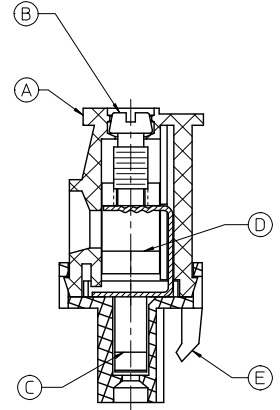
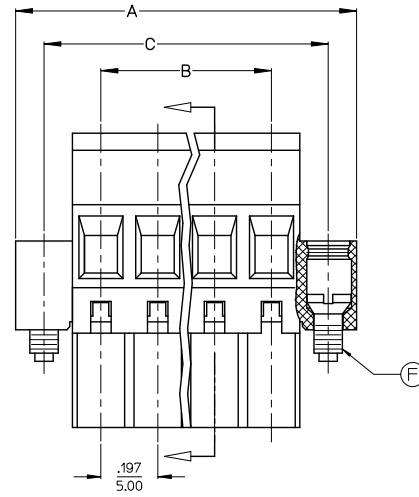
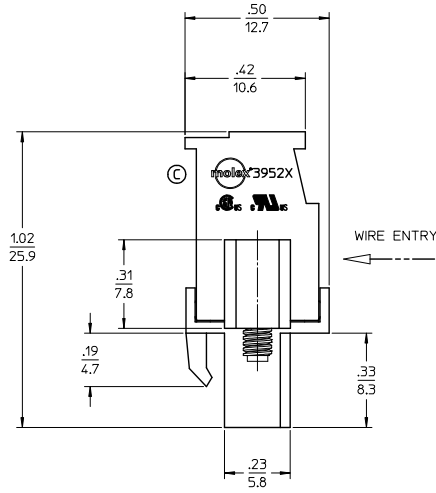
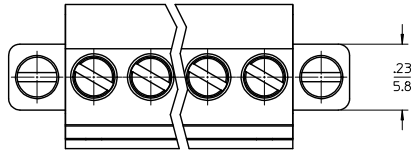
Excellent Integrated System Limited

Stocking Distributor

Click to view price, real time Inventory, Delivery & Lifecycle Information:

[Molex Connector Corporation](#)
[0395277013](#)

For any questions, you can email us directly:
sales@integrated-circuit.com

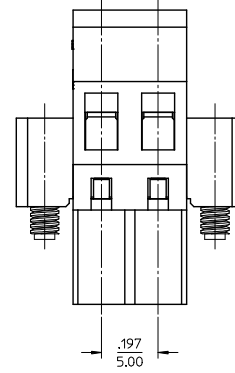
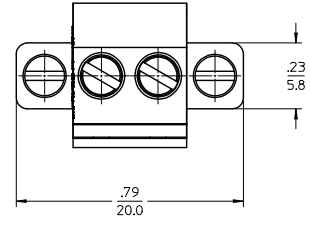
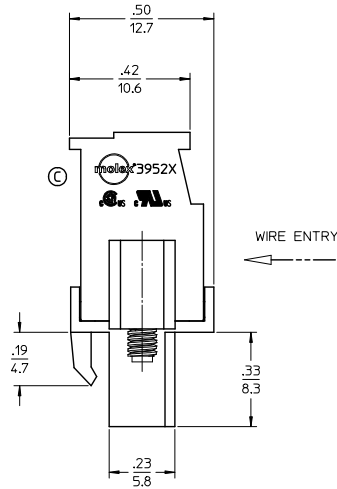
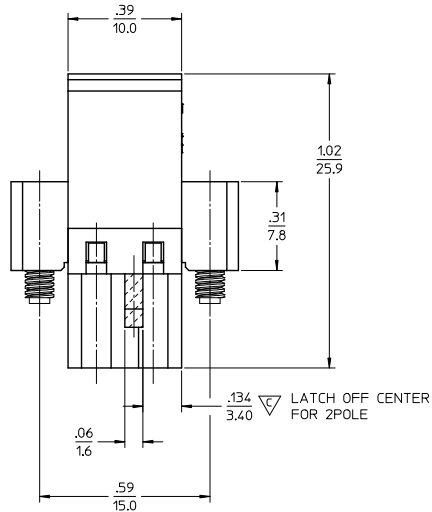


SPECIFICATIONS

- Material:
 - A. Body: PA66, UL94V-0
 - B. Clamp screw: M3-Steel, Zinc plated
 - C. Terminal: Copper alloy
 - D. Cage: Brass, Nickel plated
 - E. Cover: PA66, UL94V-0
 - F. Mfg. screw: M2.5-Steel, Zinc plated
- Wire range: 12 - 26AWG
- Electrical rating: 300V, 10A
- Wire strip length: 5.0mm
- Operating temperature: -40°C to +105°C
- Max torque: 3 in.-lbs.
- Insulation resistance: DC 500V, 500 Megohms
- Dielectric withstand: AC 2500V for 1 minute
- Breakdown voltage: 4000V
- Contact resistance: <10 milliohms
- N = Number of positions available 2 - 24 (see sheet 3)
- Dims. shown are for reference only

REF. THIS DRAWING SUPERSEDES ME10 DOC. SD-39527-002 REV-B
SEE SHEET 2 FOR 2 POLE PLUG ASSEMBLY

REVD: MX LOGO & SERIES EC NO: IPGZ015-0857 DRAWN BY: RSTONE 2014/11/05 CHECKED BY: B ARDEN 2014/11/06 APPR: J MURPHY 2015/04/22 DESCRIPTION:	QUALITY SYMBOLS	GENERAL TOLERANCES (UNLESS SPECIFIED)	DIMENSION STYLE	SCALE	DESIGN UNITS	THIRD ANGLE PROJECTION
	▼=0 ∇=1	mm INCH 4 PLACES ± --- ± --- 3 PLACES ± --- ± .005 2 PLACES ± 0.13 ± .01 1 PLACE ± 0.3 ± --- 0 PLACE ± --- ± ---	IN/MM	3:1	METRIC	DRAWN BY: RSTONE 2014/07/22 CHECKED BY: B ARDEN 2014/07/25 APPROVED BY: JFMURPHY 2014/08/02
		ANGULAR ± --- °				MATERIAL NO. SEE SHEET 3 DOCUMENT NO. SD-39527-002
		DRAFT WHERE APPLICABLE MUST REMAIN WITHIN DIMENSIONS				TITLE: 5.0MM EURO PLUG ASSY VERTICAL RWE WITH MOUNTING ENDS SHEET NO. 1 OF 3



2 POLE ASSEMBLY FOR STANDARD LATCH POSITION

SEE SHEET 1 FOR SPECIFICATIONS

REVD: MX LOGO & SERIES EC NO: IPG2015-0857 DRAWN BY: RSTONE 2014/11/05 CHK'D BY: B ARDEN 2014/11/06 APPR: J MURPHY 2015/04/22	QUALITY SYMBOLS ▽=0 ▽=0	GENERAL TOLERANCES (UNLESS SPECIFIED)		DIMENSION STYLE IN/MM		SCALE 1:1	DESIGN UNITS METRIC	THIRD ANGLE PROJECTION	
		4 PLACES ± --- ± ---	3 PLACES ± --- ± .005	DRAWN BY RSTONE	DATE 2014/07/22	TITLE 5.0MM EURO PLUG ASSY VERTICAL RWE WITH MOUNTING ENDS			
		2 PLACES ± 0.13 ± .01	1 PLACE ± 0.3 ± ---	CHECKED BY B ARDEN	DATE 2014/07/25	MATERIAL NO. SEE SHEET 3			
		0 PLACE ± --- ± ---	ANGULAR ± --- °	APPROVED BY JFMURPHY	DATE 2014/08/02	DOCUMENT NO. SD-39527-002	SHEET NO. 2 OF 3		
DRAFT WHERE APPLICABLE MUST REMAIN WITHIN DIMENSIONS		THIS DRAWING CONTAINS INFORMATION THAT IS PROPRIETARY TO MOLEX INCORPORATED AND SHOULD NOT BE USED WITHOUT WRITTEN PERMISSION							

Circuit size	Description	Material Numbers												Dimensional Information								
		Black						Green						Dim. A			Dim B			Dim C		
		100% Tin			30 u" Gold			100% Tin			30 u" Gold			mm	inch	mm	inch	mm	inch	mm	inch	
2	5.0mm, Euro Plug, Vertical FWE, Mounting Ends	None	10AV	11AV	None	10AV	11AV	None	10AV	11AV	None	10AV	11AV	None	10AV	11AV	20.0	0.79	5.0	0.20	15.0	0.59
3	5.0mm, Euro Plug, Vertical FWE, Mounting Ends	None	10AV	11AV	None	10AV	11AV	None	10AV	11AV	None	10AV	11AV	None	10AV	11AV	25.0	0.96	10.0	0.39	20.0	0.79
4	5.0mm, Euro Plug, Vertical FWE, Mounting Ends	None	10AV	11AV	None	10AV	11AV	None	10AV	11AV	None	10AV	11AV	None	10AV	11AV	30.0	1.18	15.0	0.59	25.0	0.98
5	5.0mm, Euro Plug, Vertical FWE, Mounting Ends	None	10AV	11AV	None	10AV	11AV	None	10AV	11AV	None	10AV	11AV	None	10AV	11AV	35.0	1.36	20.0	0.79	30.0	1.18
6	5.0mm, Euro Plug, Vertical FWE, Mounting Ends	None	10AV	11AV	None	10AV	11AV	None	10AV	11AV	None	10AV	11AV	None	10AV	11AV	40.0	1.56	25.0	0.98	35.0	1.39
7	5.0mm, Euro Plug, Vertical FWE, Mounting Ends	None	10AV	11AV	None	10AV	11AV	None	10AV	11AV	None	10AV	11AV	None	10AV	11AV	45.0	1.77	30.0	1.18	40.0	1.58
8	5.0mm, Euro Plug, Vertical FWE, Mounting Ends	None	10AV	11AV	None	10AV	11AV	None	10AV	11AV	None	10AV	11AV	None	10AV	11AV	50.0	1.97	35.0	1.38	45.0	1.77
9	5.0mm, Euro Plug, Vertical FWE, Mounting Ends	None	10AV	11AV	None	10AV	11AV	None	10AV	11AV	None	10AV	11AV	None	10AV	11AV	55.0	2.17	40.0	1.58	50.0	1.97
10	5.0mm, Euro Plug, Vertical FWE, Mounting Ends	None	10AV	11AV	None	10AV	11AV	None	10AV	11AV	None	10AV	11AV	None	10AV	11AV	60.0	2.38	45.0	1.77	55.0	2.17
11	5.0mm, Euro Plug, Vertical FWE, Mounting Ends	None	10AV	11AV	None	10AV	11AV	None	10AV	11AV	None	10AV	11AV	None	10AV	11AV	65.0	2.58	50.0	1.97	60.0	2.38
12	5.0mm, Euro Plug, Vertical FWE, Mounting Ends	None	10AV	11AV	None	10AV	11AV	None	10AV	11AV	None	10AV	11AV	None	10AV	11AV	70.0	2.78	55.0	2.17	65.0	2.59
13	5.0mm, Euro Plug, Vertical FWE, Mounting Ends	None	10AV	11AV	None	10AV	11AV	None	10AV	11AV	None	10AV	11AV	None	10AV	11AV	75.0	2.95	60.0	2.36	70.0	2.78
14	5.0mm, Euro Plug, Vertical FWE, Mounting Ends	None	10AV	11AV	None	10AV	11AV	None	10AV	11AV	None	10AV	11AV	None	10AV	11AV	80.0	3.15	65.0	2.58	75.0	2.95
15	5.0mm, Euro Plug, Vertical FWE, Mounting Ends	None	10AV	11AV	None	10AV	11AV	None	10AV	11AV	None	10AV	11AV	None	10AV	11AV	85.0	3.35	70.0	2.78	80.0	3.15
16	5.0mm, Euro Plug, Vertical FWE, Mounting Ends	None	10AV	11AV	None	10AV	11AV	None	10AV	11AV	None	10AV	11AV	None	10AV	11AV	90.0	3.54	75.0	2.95	85.0	3.35
17	5.0mm, Euro Plug, Vertical FWE, Mounting Ends	None	10AV	11AV	None	10AV	11AV	None	10AV	11AV	None	10AV	11AV	None	10AV	11AV	95.0	3.74	80.0	3.15	90.0	3.54
18	5.0mm, Euro Plug, Vertical FWE, Mounting Ends	None	10AV	11AV	None	10AV	11AV	None	10AV	11AV	None	10AV	11AV	None	10AV	11AV	100.0	3.94	85.0	3.35	95.0	3.74
19	5.0mm, Euro Plug, Vertical FWE, Mounting Ends	None	10AV	11AV	None	10AV	11AV	None	10AV	11AV	None	10AV	11AV	None	10AV	11AV	105.0	4.13	90.0	3.54	100.0	3.94
20	5.0mm, Euro Plug, Vertical FWE, Mounting Ends	None	10AV	11AV	None	10AV	11AV	None	10AV	11AV	None	10AV	11AV	None	10AV	11AV	110.0	4.33	95.0	3.74	105.0	4.13
21	5.0mm, Euro Plug, Vertical FWE, Mounting Ends	None	10AV	11AV	None	10AV	11AV	None	10AV	11AV	None	10AV	11AV	None	10AV	11AV	115.0	4.53	100.0	3.94	110.0	4.33
22	5.0mm, Euro Plug, Vertical FWE, Mounting Ends	None	10AV	11AV	None	10AV	11AV	None	10AV	11AV	None	10AV	11AV	None	10AV	11AV	120.0	4.72	105.0	4.13	115.0	4.53
23	5.0mm, Euro Plug, Vertical FWE, Mounting Ends	None	10AV	11AV	None	10AV	11AV	None	10AV	11AV	None	10AV	11AV	None	10AV	11AV	125.0	4.92	110.0	4.33	120.0	4.72
24	5.0mm, Euro Plug, Vertical FWE, Mounting Ends	None	10AV	11AV	None	10AV	11AV	None	10AV	11AV	None	10AV	11AV	None	10AV	11AV	130.0	5.12	115.0	4.53	125.0	4.92

SEE SHEET 2 IEC NO: IPG2015-0657 2014/11/06 CHIKOB ARDEN APPRO: JFMURPHY 2015/04/22	QUALITY SYMBOLS ▽=0 ▽=0	GENERAL TOLERANCES (UNLESS SPECIFIED) mm INCH 4 PLACES ±--- ±--- 3 PLACES ±--- ±.005 2 PLACES ±0.13 ±.01 1 PLACE ±0.3 ±--- 0 PLACE ±--- ±---	DIMENSION STYLE IN/MM DRAWN BY RSTONE DATE 2014/07/22 CHECKED BY B ARDEN DATE 2014/07/25 APPROVED BY JFMURPHY DATE 2014/08/02	SCALE 1:1 DESIGN UNITS METRIC THIRD ANGLE PROJECTION	TITLE 5.0MM EURO PLUG ASSY VERTICAL RWE WITH MOUNTING ENDS
		ANGULAR ±---° DRAFT WHERE APPLICABLE MUST REMAIN WITHIN DIMENSIONS	MATERIAL NO. SEE CHART DOCUMENT NO. SD-39527-002	SHEET NO. 3 OF 3	
		THIS DRAWING CONTAINS INFORMATION THAT IS PROPRIETARY TO MOLEX INCORPORATED AND SHOULD NOT BE USED WITHOUT WRITTEN PERMISSION			
		SEE CHART			

10 9 8 7 6 5 4 3 2 1

Description	Circuit size	Material Numbers												Dimensional Information								
		Black						Green						Dim A			Dim B			Dim C		
		100% Tin			30 u' Gold			100% Tin			30 u' Gold			mm	inch	mm	inch	mm	inch	mm	inch	
		Printing Options		None	10AV	11AV	Printing Options		None	10AV	11AV	Printing Options		None	10AV	11AV	Printing Options		None	10AV	11AV	
5.0mm Euro Plug, Vertical FWE, Mounting Ends	2	395272002	395272402	395272402	395272502	395272802	395272902	395277002	395277302	395277402	395277502	395277802	395277902	20.0	0.79	5.0	0.20	15.0	0.59			
5.0mm Euro Plug, Vertical FWE, Mounting Ends	3	395272003	395272403	395272403	395272503	395272803	395272903	395277003	395277303	395277403	395277503	395277803	395277903	25.0	0.98	10.0	0.39	20.0	0.79			
5.0mm Euro Plug, Vertical FWE, Mounting Ends	4	395272004	395272404	395272404	395272504	395272804	395272904	395277004	395277304	395277404	395277504	395277804	395277904	30.0	1.18	15.0	0.59	25.0	0.98			
5.0mm Euro Plug, Vertical FWE, Mounting Ends	5	395272005	395272405	395272405	395272505	395272805	395272905	395277005	395277305	395277405	395277505	395277805	395277905	35.0	1.38	20.0	0.79	30.0	1.18			
5.0mm Euro Plug, Vertical FWE, Mounting Ends	6	395272006	395272406	395272406	395272506	395272806	395272906	395277006	395277306	395277406	395277506	395277806	395277906	40.0	1.58	25.0	0.98	35.0	1.38			
5.0mm Euro Plug, Vertical FWE, Mounting Ends	7	395272007	395272407	395272407	395272507	395272807	395272907	395277007	395277307	395277407	395277507	395277807	395277907	45.0	1.77	30.0	1.18	40.0	1.58			
5.0mm Euro Plug, Vertical FWE, Mounting Ends	8	395272008	395272408	395272408	395272508	395272808	395272908	395277008	395277308	395277408	395277508	395277808	395277908	50.0	1.97	35.0	1.38	45.0	1.77			
5.0mm Euro Plug, Vertical FWE, Mounting Ends	9	395272009	395272409	395272409	395272509	395272809	395272909	395277009	395277309	395277409	395277509	395277809	395277909	55.0	2.17	40.0	1.58	50.0	1.97			
5.0mm Euro Plug, Vertical FWE, Mounting Ends	10	395272010	395272410	395272410	395272510	395272810	395272910	395277010	395277310	395277410	395277510	395277810	395277910	60.0	2.36	45.0	1.77	55.0	2.17			
5.0mm Euro Plug, Vertical FWE, Mounting Ends	11	395272011	395272411	395272411	395272511	395272811	395272911	395277011	395277311	395277411	395277511	395277811	395277911	65.0	2.56	50.0	1.97	60.0	2.36			
5.0mm Euro Plug, Vertical FWE, Mounting Ends	12	395272012	395272412	395272412	395272512	395272812	395272912	395277012	395277312	395277412	395277512	395277812	395277912	70.0	2.76	55.0	2.17	65.0	2.56			
5.0mm Euro Plug, Vertical FWE, Mounting Ends	13	395272013	395272413	395272413	395272513	395272813	395272913	395277013	395277313	395277413	395277513	395277813	395277913	75.0	2.95	60.0	2.36	70.0	2.76			
5.0mm Euro Plug, Vertical FWE, Mounting Ends	14	395272014	395272414	395272414	395272514	395272814	395272914	395277014	395277314	395277414	395277514	395277814	395277914	80.0	3.15	65.0	2.56	75.0	2.95			
5.0mm Euro Plug, Vertical FWE, Mounting Ends	15	395272015	395272415	395272415	395272515	395272815	395272915	395277015	395277315	395277415	395277515	395277815	395277915	85.0	3.35	70.0	2.76	80.0	3.15			
5.0mm Euro Plug, Vertical FWE, Mounting Ends	16	395272016	395272416	395272416	395272516	395272816	395272916	395277016	395277316	395277416	395277516	395277816	395277916	90.0	3.54	75.0	2.95	85.0	3.35			
5.0mm Euro Plug, Vertical FWE, Mounting Ends	17	395272017	395272417	395272417	395272517	395272817	395272917	395277017	395277317	395277417	395277517	395277817	395277917	95.0	3.74	80.0	3.15	90.0	3.54			
5.0mm Euro Plug, Vertical FWE, Mounting Ends	18	395272018	395272418	395272418	395272518	395272818	395272918	395277018	395277318	395277418	395277518	395277818	395277918	100.0	3.94	85.0	3.35	95.0	3.74			
5.0mm Euro Plug, Vertical FWE, Mounting Ends	19	395272019	395272419	395272419	395272519	395272819	395272919	395277019	395277319	395277419	395277519	395277819	395277919	105.0	4.13	90.0	3.54	100.0	3.94			
5.0mm Euro Plug, Vertical FWE, Mounting Ends	20	395272020	395272420	395272420	395272520	395272820	395272920	395277020	395277320	395277420	395277520	395277820	395277920	110.0	4.33	95.0	3.74	105.0	4.13			
5.0mm Euro Plug, Vertical FWE, Mounting Ends	21	395272021	395272421	395272421	395272521	395272821	395272921	395277021	395277321	395277421	395277521	395277821	395277921	115.0	4.53	100.0	3.94	110.0	4.33			
5.0mm Euro Plug, Vertical FWE, Mounting Ends	22	395272022	395272422	395272422	395272522	395272822	395272922	395277022	395277322	395277422	395277522	395277822	395277922	120.0	4.72	105.0	4.13	115.0	4.53			
5.0mm Euro Plug, Vertical FWE, Mounting Ends	23	395272023	395272423	395272423	395272523	395272823	395272923	395277023	395277323	395277423	395277523	395277823	395277923	125.0	4.92	110.0	4.33	120.0	4.72			
5.0mm Euro Plug, Vertical FWE, Mounting Ends	24	395272024	395272424	395272424	395272524	395272824	395272924	395277024	395277324	395277424	395277524	395277824	395277924	130.0	5.12	115.0	4.53	125.0	4.92			

SEE SHEET 1 IEC NO: EIC2006-0308 DRW: C. YORK CHK: R. DEROSS APPR: R. DEROSS 2006/03/16 2006/03/16 2006/03/16	QUALITY SYMBOLS ▽=0 ▽=0	GENERAL TOLERANCES (UNLESS SPECIFIED)		DIMENSION STYLE	SCALE	DESIGN UNITS	THIRD ANGLE PROJECTION	
		mm	INCH	MM/IN	3:1	INCH		
		4 PLACES ± --- ± .0015	3 PLACES ± 0.038 ± .005	DRAWN BY	DATE	TITLE		
		2 PLACES ± 0.13 ± .01	1 PLACE ± 0.3 ± ---	C. YORK	2006/03/16	5.0MM, EURO PLUG, VERTICAL, FRONT WIRE ENTRY WITH MOUNTING ENDS		
ANGULAR ± 2°		CHECKED BY	DATE	MOLEX INCORPORATED				
DRAFT WHERE APPLICABLE MUST REMAIN WITHIN DIMENSIONS		APPROVED BY	DATE	DOCUMENT NO.		SHEET NO.		
		R. DEROSS	2006/03/16	SD-39527-002		2 OF 2		
		SEE CHART		THIS DRAWING CONTAINS INFORMATION THAT IS PROPRIETARY TO MOLEX INCORPORATED AND SHOULD NOT BE USED WITHOUT WRITTEN PERMISSION				

9 8 7 6 5 4 3 2 1