

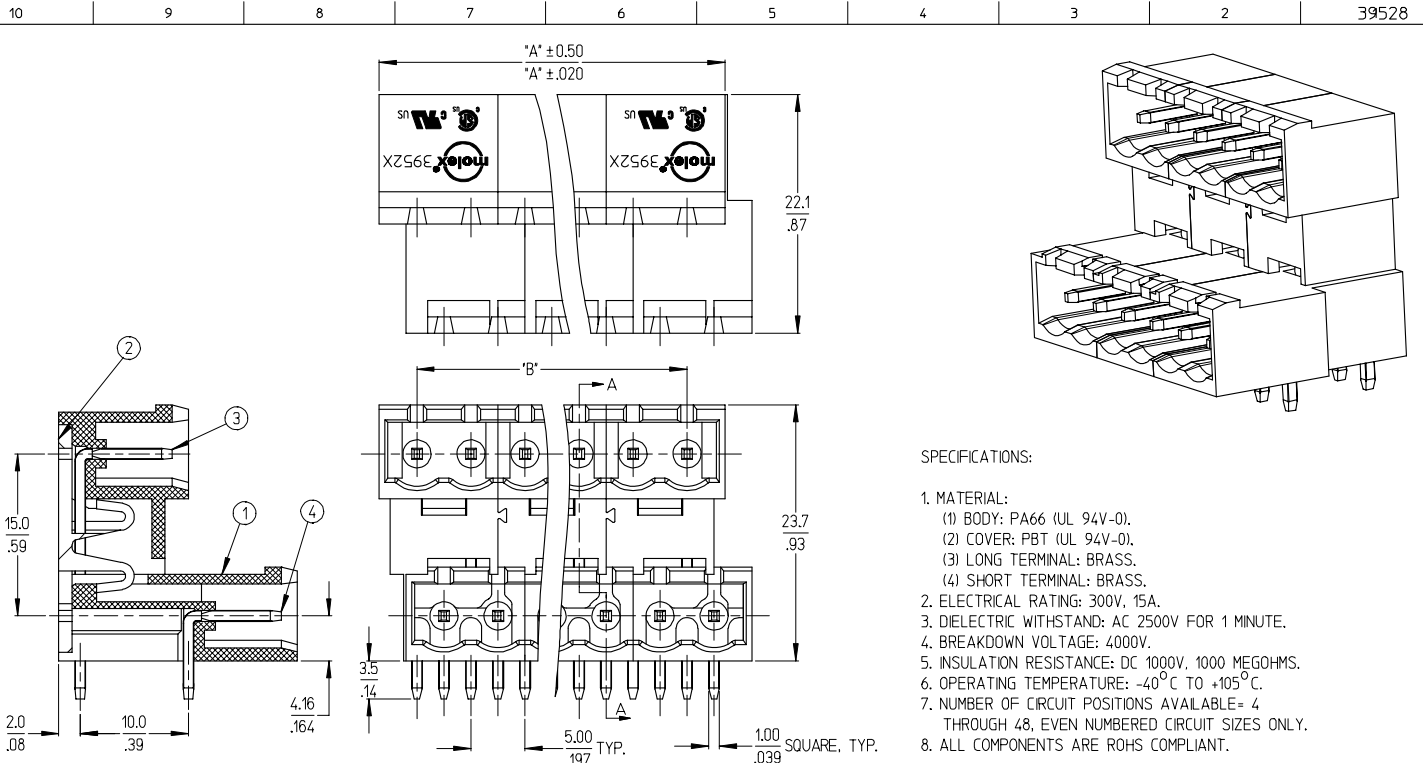
Excellent Integrated System Limited

Stocking Distributor

Click to view price, real time Inventory, Delivery & Lifecycle Information:

[Molex Connector Corporation](#)
[0395286010](#)

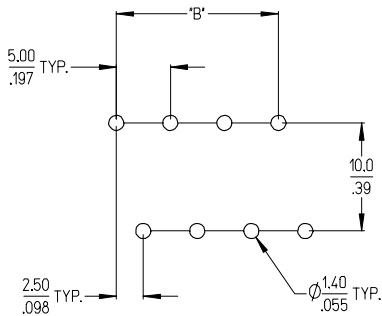
For any questions, you can email us directly:
sales@integrated-circuit.com



| | | | | | | | |
|---|-------------------------------|---|--------------------------------|---|---|----------------------|------------------------|
| INITIAL RELEASE EC NO: ETC2007-0020 DRWNS:YORK 2006/07/25 CHKCD:JPANLICKI 2006/07/25 APPPR:JPANLICKI 2006/07/26 | QUALITY SYMBOLS ▽=0 ▽=0 | GENERAL TOLERANCES (UNLESS SPECIFIED) | | DIMENSION STYLE MM/IN | SCALE 3:1 | DESIGN UNITS INCH | THIRD ANGLE PROJECTION |
| | | 4 PLACES ±--- ±--- 3 PLACES ±--- ±.005 2 PLACES ±0.13 ±.01 1 PLACE ±0.3 ±--- ANGULAR ± 2° | DRAWN BY C. YORK 2006/07/24 | DATE 2006/07/24 | TITLE 5.0MM, EURO DUAL HEADER, HORIZONTAL, CLOSED END, STACKABLE | MOLEX INCORPORATED | SHEET NO. 1 OF 2 |
| DRAFT WHERE APPLICABLE MUST REMAIN WITHIN DIMENSIONS | SEE SHEET 2 | MATERIAL NO. SD-39528-002 | DOCUMENT NO. SD-39528-002 | THIS DRAWING CONTAINS INFORMATION THAT IS PROPRIETARY TO MOLEX INCORPORATED AND SHOULD NOT BE USED WITHOUT WRITTEN PERMISSION | | | |

10 9 8 7 6 5 4 3 2 39528

| Circuit size | Material Numbers | | | | Dimensional Information | | | |
|--------------|------------------|------------|-----------|------------|-------------------------|-------|--------|-------|
| | Black | | Green | | Dim. A | | Dim B | |
| | 100% Tin | 30 u" Gold | 100% Tin | 30 u" Gold | mm | inch | mm | inch |
| 4 | 395281004 | 395281504 | 395286004 | 395286504 | 12.00 | 0.472 | 5.00 | 0.197 |
| 6 | 395281006 | 395281506 | 395286006 | 395286506 | 17.00 | 0.669 | 10.00 | 0.394 |
| 8 | 395281008 | 395281508 | 395286008 | 395286508 | 22.00 | 0.866 | 15.00 | 0.591 |
| 10 | 395281010 | 395281510 | 395286010 | 395286510 | 27.00 | 1.063 | 20.00 | 0.787 |
| 12 | 395281012 | 395281512 | 395286012 | 395286512 | 32.00 | 1.260 | 25.00 | 0.984 |
| 14 | 395281014 | 395281514 | 395286014 | 395286514 | 37.00 | 1.457 | 30.00 | 1.181 |
| 16 | 395281016 | 395281516 | 395286016 | 395286516 | 42.00 | 1.654 | 35.00 | 1.378 |
| 18 | 395281018 | 395281518 | 395286018 | 395286518 | 47.00 | 1.850 | 40.00 | 1.575 |
| 20 | 395281020 | 395281520 | 395286020 | 395286520 | 52.00 | 2.047 | 45.00 | 1.772 |
| 22 | 395281022 | 395281522 | 395286022 | 395286522 | 57.00 | 2.244 | 50.00 | 1.969 |
| 24 | 395281024 | 395281524 | 395286024 | 395286524 | 62.00 | 2.441 | 55.00 | 2.165 |
| 26 | 395281026 | 395281526 | 395286026 | 395286526 | 67.00 | 2.638 | 60.00 | 2.362 |
| 28 | 395281028 | 395281528 | 395286028 | 395286528 | 72.00 | 2.835 | 65.00 | 2.559 |
| 30 | 395281030 | 395281530 | 395286030 | 395286530 | 77.00 | 3.031 | 70.00 | 2.756 |
| 32 | 395281032 | 395281532 | 395286032 | 395286532 | 82.00 | 3.228 | 75.00 | 2.953 |
| 34 | 395281034 | 395281534 | 395286034 | 395286534 | 87.00 | 3.425 | 80.00 | 3.150 |
| 36 | 395281036 | 395281536 | 395286036 | 395286536 | 92.00 | 3.622 | 85.00 | 3.346 |
| 38 | 395281038 | 395281538 | 395286038 | 395286538 | 97.00 | 3.819 | 90.00 | 3.543 |
| 40 | 395281040 | 395281540 | 395286040 | 395286540 | 102.00 | 4.016 | 95.00 | 3.740 |
| 42 | 395281042 | 395281542 | 395286042 | 395286542 | 107.00 | 4.213 | 100.00 | 3.937 |
| 44 | 395281044 | 395281544 | 395286044 | 395286544 | 112.00 | 4.409 | 105.00 | 4.134 |
| 46 | 395281046 | 395281546 | 395286046 | 395286546 | 117.00 | 4.606 | 110.00 | 4.331 |
| 48 | 395281048 | 395281548 | 395286048 | 395286548 | 122.00 | 4.803 | 115.00 | 4.528 |



RECOMMENDED PCB LAYOUT

| | | | | | | | |
|--|-------------------------------|---|---|---|--|---|------------------------|
| SEE SHEET 1 IEC NO: EIC2007-0020 DRW: C. YORK 2006/07/25 CHKD: J. PAWLICKI 2006/07/25 APPR: J. PAWLICKI 2006/07/26 | QUALITY SYMBOLS ▽=0 ▽=0 | GENERAL TOLERANCES (UNLESS SPECIFIED) | | DIMENSION STYLE MM/IN | SCALE 3:1 | DESIGN UNITS INCH | THIRD ANGLE PROJECTION |
| | | 4 PLACES ± --- ± --- 3 PLACES ± --- ± .005 2 PLACES ± 0.13 ± .01 1 PLACE ± 0.3 ± --- ANGULAR ± 2° | DRAWN BY C. YORK DATE 2006/07/24 | CHECKED BY J. PAWLICKI DATE 2006/07/24 | APPROVED BY J. PAWLICKI DATE 2006/07/24 | TITLE 5.0MM, EURO DUAL HEADER, HORIZONTAL, CLOSED END, STACKABLE | MOLEX INCORPORATED |
| DRAFT WHERE APPLICABLE MUST REMAIN WITHIN DIMENSIONS | MATERIAL NO. SEE CHART | DOCUMENT NO. SD-39528-002 | THIS DRAWING CONTAINS INFORMATION THAT IS PROPRIETARY TO MOLEX INCORPORATED AND SHOULD NOT BE USED WITHOUT WRITTEN PERMISSION | | | | |

9 8 7 6 5 4 3 2 1