

## Excellent Integrated System Limited

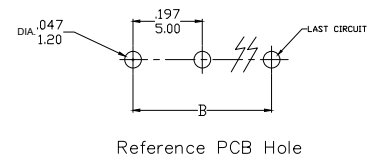
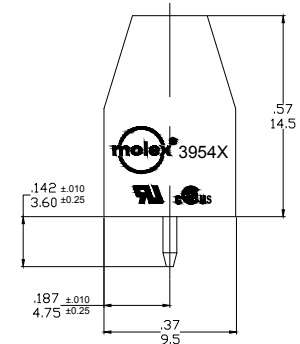
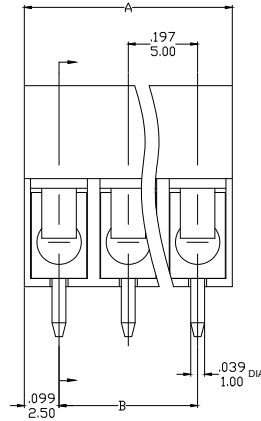
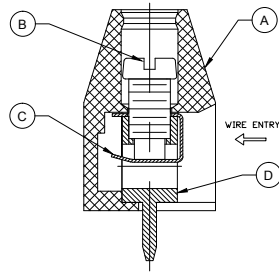
Stocking Distributor

Click to view price, real time Inventory, Delivery & Lifecycle Information:

[Molex Connector Corporation](#)  
[0395931023](#)

For any questions, you can email us directly:

[sales@integrated-circuit.com](mailto:sales@integrated-circuit.com)



**SPECIFICATIONS**

1. Material:

- A. Body: Nylon (PA66), UL94 V-0, color: see sheet 2
- B. Screw: Steel, M3.0, Zinc plated
- C. Contact: Brass, Nickel plated
- D. Terminal block: Brass, Tin Plated

2. Wire Rating: 24-14 AWG

3. Electrical rating: 300V, 15A

4. Power-Frequency withstand: AC 2500V/1min

5. Insulation resistance: DC500V 500MΩ or above

6. Rated impulse voltage: 4000V/minus and plus 5 times each.

7. Wire strip length: .28 (7.0mm.)

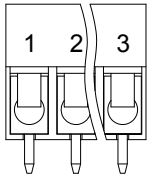
8. Screw Torque (max): 3.0 lbf.in ( 0.34 N.m).

9. Operating temperature: -40°to+105° C

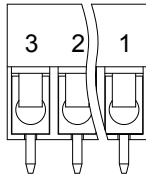
10. Number of circuits: 2 to 24, see sheet 2

|   |               |               |                  |                               |                                       |       |                          |                    |                              |   |                        |
|---|---------------|---------------|------------------|-------------------------------|---------------------------------------|-------|--------------------------|--------------------|------------------------------|---|------------------------|
| REWORK<br>B   | REDESIGN<br>A | REVISION<br>A | DESCRIPTION<br>A | QUALITY SYMBOLS<br>▽=0<br>◇=0 | GENERAL TOLERANCES (UNLESS SPECIFIED) |       | DIMENSION STYLE<br>IN/MM |                    | SCALE<br>4:1                 | DESIGN UNITS<br>METRIC  | THIRD ANGLE PROJECTION |
|   |               |               |                  |                               | 4 PLACES                              | ±---  | ±---                     | DRAWN BY<br>RSTONE | DATE<br>2016/04/19           | TITLE<br>EURO TERMINAL BLOCK<br>5.00MM (.197) PITCH<br>PC MOUNT, VERTICAL |                        |
|   |               |               |                  | 3 PLACES                      | ±---                                  | ±.005 | CHECKED BY               | DATE               | MOLEX INCORPORATED           |   |                        |
|   |               |               |                  | 2 PLACES                      | ±0.13                                 | ±.02  | APPROVED BY              | DATE               | MATERIAL NO.<br>SEE SHEET 2  |   |                        |
|   |               |               |                  | 1 PLACE                       | ±0.5                                  | ±---  | BRUPERT                  | 2016/05/05         | DOCUMENT NO.<br>SD-39543-003 |   |                        |
| DRAFT WHERE APPLICABLE MUST REMAIN WITHIN DIMENSIONS  |               |               |                  |                               |                                       |       |                          |                    | SHEET NO.<br>1 OF 2          |   |                        |
| THIS DRAWING CONTAINS INFORMATION THAT IS PROPRIETARY TO MOLEX INCORPORATED AND SHOULD NOT BE USED WITHOUT WRITTEN PERMISSION |               |               |                  |                               |                                       |       |                          |                    |                              |   |                        |

| CIRCUITS | MATERIAL NUMBERS MOLDED TO LENGTH |           |           |                  |           |           | DIMENSIONS |       |         |        |
|----------|-----------------------------------|-----------|-----------|------------------|-----------|-----------|------------|-------|---------|--------|
|          | BLACK                             |           |           | GREEN            |           |           |            |       |         |        |
|          | PRINTING OPTIONS                  |           |           | PRINTING OPTIONS |           |           | A IN mm    |       | B IN mm |        |
|          | NDNE                              | 10A       | 11A       | NDNE             | 10A       | 11A       | A          | mm    | B       | mm     |
| 2        | 395430002                         | 395431002 | 395432002 | 395930002        | 395931002 | 395932002 | .39        | 10.0  | .197    | 5.00   |
| 3        | 395430003                         | 395431003 | 395432003 | 395930003        | 395931003 | 395932003 | .59        | 15.0  | .394    | 10.00  |
| 4        | 395430004                         | 395431004 | 395432004 | 395930004        | 395931004 | 395932004 | .79        | 20.0  | .591    | 15.00  |
| 5        | 395430005                         | 395431005 | 395432005 | 395930005        | 395931005 | 395932005 | .98        | 25.0  | .787    | 20.00  |
| 6        | 395430006                         | 395431006 | 395432006 | 395930006        | 395931006 | 395932006 | 1.18       | 30.0  | .984    | 25.00  |
| 7        | 395430007                         | 395431007 | 395432007 | 395930007        | 395931007 | 395932007 | 1.38       | 35.0  | 1.181   | 30.00  |
| 8        | 395430008                         | 395431008 | 395432008 | 395930008        | 395931008 | 395932008 | 1.57       | 40.0  | 1.378   | 35.00  |
| 9        | 395430009                         | 395431009 | 395432009 | 395930009        | 395931009 | 395932009 | 1.77       | 45.0  | 1.575   | 40.00  |
| 10       | 395430010                         | 395431010 | 395432010 | 395930010        | 395931010 | 395932010 | 1.97       | 50.0  | 1.772   | 45.00  |
| 11       | 395430011                         | 395431011 | 395432011 | 395930011        | 395931011 | 395932011 | 2.17       | 55.0  | 1.969   | 50.00  |
| 12       | 395430012                         | 395431012 | 395432012 | 395930012        | 395931012 | 395932012 | 2.36       | 60.0  | 2.165   | 55.00  |
| 13       | 395430013                         | 395431013 | 395432013 | 395930013        | 395931013 | 395932013 | 2.56       | 65.0  | 2.362   | 60.00  |
| 14       | 395430014                         | 395431014 | 395432014 | 395930014        | 395931014 | 395932014 | 2.76       | 70.0  | 2.559   | 65.00  |
| 15       | 395430015                         | 395431015 | 395432015 | 395930015        | 395931015 | 395932015 | 2.95       | 75.0  | 2.756   | 70.00  |
| 16       | 395430016                         | 395431016 | 395432016 | 395930016        | 395931016 | 395932016 | 3.15       | 80.0  | 2.953   | 75.00  |
| 17       | 395430017                         | 395431017 | 395432017 | 395930017        | 395931017 | 395932017 | 3.35       | 85.0  | 3.150   | 80.00  |
| 18       | 395430018                         | 395431018 | 395432018 | 395930018        | 395931018 | 395932018 | 3.54       | 90.0  | 3.346   | 85.00  |
| 19       | 395430019                         | 395431019 | 395432019 | 395930019        | 395931019 | 395932019 | 3.74       | 95.0  | 3.543   | 90.00  |
| 20       | 395430020                         | 395431020 | 395432020 | 395930020        | 395931020 | 395932020 | 3.94       | 100.0 | 3.740   | 95.00  |
| 21       | 395430021                         | 395431021 | 395432021 | 395930021        | 395931021 | 395932021 | 4.13       | 105.0 | 3.937   | 100.00 |
| 22       | 395430022                         | 395431022 | 395432022 | 395930022        | 395931022 | 395932022 | 4.33       | 110.0 | 4.134   | 105.00 |
| 23       | 395430023                         | 395431023 | 395432023 | 395930023        | 395931023 | 395932023 | 4.53       | 115.0 | 4.331   | 110.00 |
| 24       | 395430024                         | 395431024 | 395432024 | 395930024        | 395931024 | 395932024 | 4.72       | 120.0 | 4.528   | 115.00 |



REF. 10A PRINT OPT.



REF. 11A PRINT OPT.

| SEE SHEET 1<br>EC NO. IFC/2016-1417<br>DRAWN: RSTONE 2016/04/19<br>CHK'D: CHYD<br>APPR: BRUPERT 2016/05/05<br>REV: B          | QUALITY SYMBOLS<br>▽=0<br>∇=0 | GENERAL TOLERANCES (UNLESS SPECIFIED)<br><table border="1"> <tr><th></th><th>mm</th><th>INCH</th></tr> <tr><td>4 PLACES</td><td>±---</td><td>±---</td></tr> <tr><td>3 PLACES</td><td>±---</td><td>±.005</td></tr> <tr><td>2 PLACES</td><td>±0.13</td><td>±.02</td></tr> <tr><td>1 PLACE</td><td>±0.5</td><td>±---</td></tr> </table> |                    | mm    | INCH               | 4 PLACES | ±--- | ±--- | 3 PLACES | ±--- | ±.005 | 2 PLACES | ±0.13 | ±.02 | 1 PLACE | ±0.5 | ±--- | DIMENSION STYLE<br>IN/MM<br>DRAWN BY: RSTONE DATE: 2016/04/19<br>CHECKED BY: --- DATE: ---<br>APPROVED BY: BRUPERT DATE: 2016/05/05<br>MATERIAL NO.: SEE TABLE<br>DOCUMENT NO.: SD-39543-003 | SCALE: 4:1<br>DESIGN UNITS: METRIC<br>THIRD ANGLE PROJECTION | TITLE: EURO TERMINAL BLOCK<br>5.00MM (.197) PITCH<br>PC MOUNT, VERTICAL<br>MOLEX INCORPORATED<br>SHEET NO. 2 OF 2 |
|---|-------------------------------|--|--------------------|-------|--------------------|----------|------|------|----------|------|-------|----------|-------|------|---------|------|------|--|--|---|
|   |                               | mm   | INCH               |       |                    |          |      |      |          |      |       |          |       |      |         |      |      |  |  |   |
|   | 4 PLACES                      | ±---   | ±---               |       |                    |          |      |      |          |      |       |          |       |      |         |      |      |  |  |   |
|   | 3 PLACES                      | ±---   | ±.005              |       |                    |          |      |      |          |      |       |          |       |      |         |      |      |  |  |   |
| 2 PLACES  | ±0.13                         | ±.02   |                    |       |                    |          |      |      |          |      |       |          |       |      |         |      |      |  |  |   |
| 1 PLACE   | ±0.5                          | ±---   |                    |       |                    |          |      |      |          |      |       |          |       |      |         |      |      |  |  |   |
| DRAFT WHERE APPLICABLE MUST REMAIN WITHIN DIMENSIONS  |                               | SEE TABLE  | MOLEX INCORPORATED | MOLEX | MOLEX INCORPORATED |          |      |      |          |      |       |          |       |      |         |      |      |  |  |   |
| THIS DRAWING CONTAINS INFORMATION THAT IS PROPRIETARY TO MOLEX INCORPORATED AND SHOULD NOT BE USED WITHOUT WRITTEN PERMISSION |                               | SIZE B   | MOLEX              | MOLEX | MOLEX              |          |      |      |          |      |       |          |       |      |         |      |      |  |  |   |
|   |                               |  |                    |       |                    |          |      |      |          |      |       |          |       |      |         |      |      |  |  |   |

10 9 8 7 6 5 4 3 2 1

| Description                           | Circuit size | Material Numbers |                  |           |           |           |           | Dimensional Information |                    |
|---------------------------------------|--------------|------------------|------------------|-----------|-----------|-----------|-----------|-------------------------|--------------------|
|                                       |              | Black            |                  |           | Green     |           |           | Dim. A                  | Dim B              |
|                                       |              | 100% Tin         |                  |           |           |           |           |                         |                    |
| Printing Options                      |              |                  | Printing Options |           |           | mm        | inch      |                         |                    |
|                                       |              | None             | 10A              | 11A       | None      | 10A       | 11A       | mm                      | inch               |
| 5.0mm, Euro Block, PC Mount, Vertical | 2            | 395430002        | 395431002        | 395432002 | 395930002 | 395931002 | 395932002 | 10.00                   | 0.394 5.00 0.197   |
| 5.0mm, Euro Block, PC Mount, Vertical | 3            | 395430003        | 395431003        | 395432003 | 395930003 | 395931003 | 395932003 | 15.00                   | 0.591 10.00 0.394  |
| 5.0mm, Euro Block, PC Mount, Vertical | 4            | 395430004        | 395431004        | 395432004 | 395930004 | 395931004 | 395932004 | 20.00                   | 0.787 15.00 0.591  |
| 5.0mm, Euro Block, PC Mount, Vertical | 5            | 395430005        | 395431005        | 395432005 | 395930005 | 395931005 | 395932005 | 25.00                   | 0.984 20.00 0.787  |
| 5.0mm, Euro Block, PC Mount, Vertical | 6            | 395430006        | 395431006        | 395432006 | 395930006 | 395931006 | 395932006 | 30.00                   | 1.181 25.00 0.984  |
| 5.0mm, Euro Block, PC Mount, Vertical | 7            | 395430007        | 395431007        | 395432007 | 395930007 | 395931007 | 395932007 | 35.00                   | 1.378 30.00 1.181  |
| 5.0mm, Euro Block, PC Mount, Vertical | 8            | 395430008        | 395431008        | 395432008 | 395930008 | 395931008 | 395932008 | 40.00                   | 1.575 35.00 1.378  |
| 5.0mm, Euro Block, PC Mount, Vertical | 9            | 395430009        | 395431009        | 395432009 | 395930009 | 395931009 | 395932009 | 45.00                   | 1.772 40.00 1.575  |
| 5.0mm, Euro Block, PC Mount, Vertical | 10           | 395430010        | 395431010        | 395432010 | 395930010 | 395931010 | 395932010 | 50.00                   | 1.969 45.00 1.772  |
| 5.0mm, Euro Block, PC Mount, Vertical | 11           | 395430011        | 395431011        | 395432011 | 395930011 | 395931011 | 395932011 | 55.00                   | 2.165 50.00 1.969  |
| 5.0mm, Euro Block, PC Mount, Vertical | 12           | 395430012        | 395431012        | 395432012 | 395930012 | 395931012 | 395932012 | 60.00                   | 2.362 55.00 2.165  |
| 5.0mm, Euro Block, PC Mount, Vertical | 13           | 395430013        | 395431013        | 395432013 | 395930013 | 395931013 | 395932013 | 65.00                   | 2.559 60.00 2.362  |
| 5.0mm, Euro Block, PC Mount, Vertical | 14           | 395430014        | 395431014        | 395432014 | 395930014 | 395931014 | 395932014 | 70.00                   | 2.756 65.00 2.559  |
| 5.0mm, Euro Block, PC Mount, Vertical | 15           | 395430015        | 395431015        | 395432015 | 395930015 | 395931015 | 395932015 | 75.00                   | 2.953 70.00 2.756  |
| 5.0mm, Euro Block, PC Mount, Vertical | 16           | 395430016        | 395431016        | 395432016 | 395930016 | 395931016 | 395932016 | 80.00                   | 3.150 75.00 2.953  |
| 5.0mm, Euro Block, PC Mount, Vertical | 17           | 395430017        | 395431017        | 395432017 | 395930017 | 395931017 | 395932017 | 85.00                   | 3.346 80.00 3.150  |
| 5.0mm, Euro Block, PC Mount, Vertical | 18           | 395430018        | 395431018        | 395432018 | 395930018 | 395931018 | 395932018 | 90.00                   | 3.543 85.00 3.346  |
| 5.0mm, Euro Block, PC Mount, Vertical | 19           | 395430019        | 395431019        | 395432019 | 395930019 | 395931019 | 395932019 | 95.00                   | 3.740 90.00 3.543  |
| 5.0mm, Euro Block, PC Mount, Vertical | 20           | 395430020        | 395431020        | 395432020 | 395930020 | 395931020 | 395932020 | 100.00                  | 3.937 95.00 3.740  |
| 5.0mm, Euro Block, PC Mount, Vertical | 21           | 395430021        | 395431021        | 395432021 | 395930021 | 395931021 | 395932021 | 105.00                  | 4.134 100.00 3.937 |
| 5.0mm, Euro Block, PC Mount, Vertical | 22           | 395430022        | 395431022        | 395432022 | 395930022 | 395931022 | 395932022 | 110.00                  | 4.331 105.00 4.134 |
| 5.0mm, Euro Block, PC Mount, Vertical | 23           | 395430023        | 395431023        | 395432023 | 395930023 | 395931023 | 395932023 | 115.00                  | 4.528 110.00 4.331 |
| 5.0mm, Euro Block, PC Mount, Vertical | 24           | 395430024        | 395431024        | 395432024 | 395930024 | 395931024 | 395932024 | 120.00                  | 4.724 115.00 4.528 |

|  |                               |   |   |  |   |  |                        |
|--|-------------------------------|---|---|--|---|--|------------------------|
| SEE PAGE 1<br>IEC NO: NEO2006-0310<br>DRAWN BY: LROTHAUS<br>CHECKED BY: C. YORK<br>APPR: JFAMILK<br>2006/01/08<br>2006/01/08<br>2006/01/10 | QUALITY SYMBOLS<br>▽=0<br>▽=0 | GENERAL TOLERANCES (UNLESS SPECIFIED)   |   | DIMENSION STYLE<br>MM/IN                                     | SCALE<br>4:1  | DESIGN UNITS<br>INCH                                   | THIRD ANGLE PROJECTION |
|  |                               | 4 PLACES ± --- ± .0015<br>3 PLACES ± 0.038 ± .005<br>2 PLACES ± 0.13 ± .01<br>1 PLACE ± 0.3 ± --- | mm INCH<br>± --- ± .0015<br>± 0.038 ± .005<br>± 0.13 ± .01<br>± 0.3 ± --- | DRAWN BY<br>LROTHAUS<br>CHECKED BY<br>C. YORK<br>APPROVED BY | DATE<br>12/16/05<br>DATE<br>DATE  | TITLE<br>5.0MM, EURO TERM. BLOCK<br>PC MOUNT, VERTICAL |                        |
| DRAFT WHERE APPLICABLE<br>MUST REMAIN<br>WITHIN DIMENSIONS   |                               | SEE CHART   |   | MATERIAL NO.<br>SD-39543-003                                 | DOCUMENT NO.<br>SD-39543-003  | MOLEX INCORPORATED                                     |                        |
|  |                               |   |   | SIZE<br>B  | THIS DRAWING CONTAINS INFORMATION THAT IS PROPRIETARY TO MOLEX INCORPORATED AND SHOULD NOT BE USED WITHOUT WRITTEN PERMISSION |  |                        |

9 8 7 6 5 4 3 2 1