

Excellent Integrated System Limited

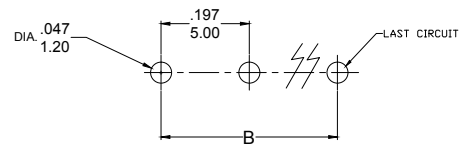
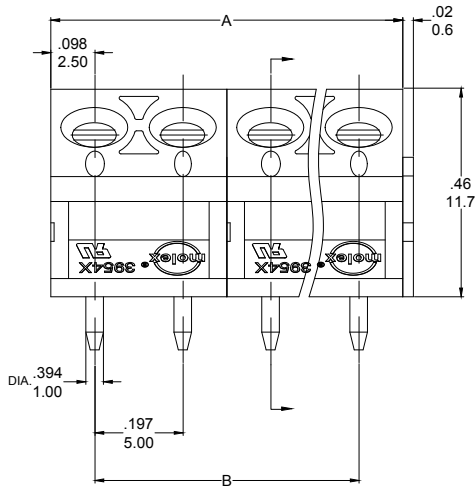
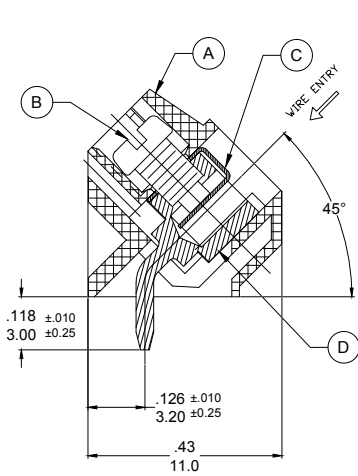
Stocking Distributor

Click to view price, real time Inventory, Delivery & Lifecycle Information:

[Molex Connector Corporation](#)
[0395931208](#)

For any questions, you can email us directly:

sales@integrated-circuit.com



Reference PCB Hole

SPECIFICATIONS

1. Material:

- A. Body: Nylon (PA66), UL94 V-0, color: see sheet 2
- B. Screw: Steel, M2.5, Zinc plated
- C. Contact: Brass, Nickel plated
- D. Terminal block: Brass, Tin Plated

2. Wire Rating: 24-14 AWG

3. Electrical rating: 300V, 10A

4. Power-Frequency withstand: AC 2500V/1min

5. Insulation resistance: DC500V 500MΩ or above

6. Rated impulse voltage: 4000V/minus and plus 5 times each.

7. Wire strip length: .28 (7.0mm.)

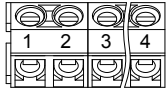
8. Screw Torque (max): 3.0 lbf.in(or 0.34 N.m).

9. Operating temperature: -40°to+105° C

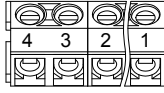
10. Number of circuits: 2 to 24, see sheet 2

REDRAWN WAS ME10 DOC EC NO. IFC/2016-1417 DRAWN: RSTONE 2016/04/19 CHYD. APPR: BRUPERT 2016/05/05 REV: B	QUALITY SYMBOLS ▽=0 ∇=0	GENERAL TOLERANCES (UNLESS SPECIFIED) <table border="1"> <thead> <tr> <th></th> <th>mm</th> <th>INCH</th> </tr> </thead> <tbody> <tr> <td>4 PLACES</td> <td>±---</td> <td>±---</td> </tr> <tr> <td>3 PLACES</td> <td>±---</td> <td>±.005</td> </tr> <tr> <td>2 PLACES</td> <td>±0.13</td> <td>±.02</td> </tr> <tr> <td>1 PLACE</td> <td>±0.5</td> <td>±---</td> </tr> </tbody> </table> ANGULAR ±2°		mm	INCH	4 PLACES	±---	±---	3 PLACES	±---	±.005	2 PLACES	±0.13	±.02	1 PLACE	±0.5	±---	DIMENSION STYLE IN/MM	SCALE 4:1	DESIGN UNITS METRIC	THIRD ANGLE PROJECTION
		mm	INCH																		
	4 PLACES	±---	±---																		
	3 PLACES	±---	±.005																		
2 PLACES	±0.13	±.02																			
1 PLACE	±0.5	±---																			
DRAWN BY RSTONE	DATE 2016/04/19	TITLE EURO TERMINAL BLOCK 5.00MM (.197) PITCH PC MOUNT, 45 DEGREE		MOLEX INCORPORATED																	
CHECKED BY ---	DATE ---	APPROVED BY BRUPERT		DATE 2016/05/05	DOCUMENT NO. SD-39543-001																
DRAFT WHERE APPLICABLE MUST REMAIN WITHIN DIMENSIONS		MATERIAL NO. SEE SHEET 2		SHEET NO. 1 OF 2		THIS DRAWING CONTAINS INFORMATION THAT IS PROPRIETARY TO MOLEX INCORPORATED AND SHOULD NOT BE USED WITHOUT WRITTEN PERMISSION															

CIRCUITS	MATERIAL NUMBERS MOLDED TO LENGTH						MATERIAL NUMBERS (STACKABLE)						DIMENSIONS			
	BLACK			GREEN			BLACK			GREEN						
	PRINTING OPTIONS			PRINTING OPTIONS			PRINTING OPTIONS			PRINTING OPTIONS						
	NONE	10A	11A	NONE	10A	11A	NONE	10A	11A	NONE	10A	11A	A IN	mm	B IN	mm
2	395430202	395431202	395432202	395930202	395931202	395932202	395430502	395431502	395432502	395930502	395931502	395932502	.39	10.0	.197	5.00
3	395430203	395431203	395432203	395930203	395931203	395932203	395430503	395431503	395432503	395930503	395931503	395932503	.59	15.0	.394	10.00
4	395430204	395431204	395432204	395930204	395931204	395932204							.79	20.0	.591	15.00
5	395430205	395431205	395432205	395930205	395931205	395932205							.98	25.0	.787	20.00
6	395430206	395431206	395432206	395930206	395931206	395932206							1.18	30.0	.984	25.00
7	395430207	395431207	395432207	395930207	395931207	395932207							1.38	35.0	1.181	30.00
8	395430208	395431208	395432208	395930208	395931208	395932208							1.57	40.0	1.378	35.00
9	395430209	395431209	395432209	395930209	395931209	395932209							1.77	45.0	1.575	40.00
10	395430210	395431210	395432210	395930210	395931210	395932210							1.97	50.0	1.772	45.00
11	395430211	395431211	395432211	395930211	395931211	395932211							2.17	55.0	1.969	50.00
12	395430212	395431212	395432212	395930212	395931212	395932212							2.36	60.0	2.165	55.00
13	395430213	395431213	395432213	395930213	395931213	395932213							2.56	65.0	2.362	60.00
14	395430214	395431214	395432214	395930214	395931214	395932214							2.76	70.0	2.559	65.00
15	395430215	395431215	395432215	395930215	395931215	395932215							2.95	75.0	2.756	70.00
16	395430216	395431216	395432216	395930216	395931216	395932216							3.15	80.0	2.953	75.00
17	395430217	395431217	395432217	395930217	395931217	395932217							3.35	85.0	3.150	80.00
18	395430218	395431218	395432218	395930218	395931218	395932218							3.54	90.0	3.346	85.00
19	395430219	395431219	395432219	395930219	395931219	395932219							3.74	95.0	3.543	90.00
20	395430220	395431220	395432220	395930220	395931220	395932220							3.94	100.0	3.740	95.00
21	395430221	395431221	395432221	395930221	395931221	395932221							4.13	105.0	3.937	100.00
22	395430222	395431222	395432222	395930222	395931222	395932222							4.33	110.0	4.134	105.00
23	395430223	395431223	395432223	395930223	395931223	395932223							4.53	115.0	4.331	110.00
24	395430224	395431224	395432224	395930224	395931224	395932224							4.72	120.0	4.528	115.00



REF. 10A PRINT OPT.



REF. 11A PRINT OPT.

SEE SHEET 1 EC NO. IFC/2016-1417 DRAWN: RSTONE 2016/04/19 CHYD APPR: BRUPERT 2016/05/05 REV:	QUALITY SYMBOLS ▽=0 ∇=0	GENERAL TOLERANCES (UNLESS SPECIFIED) <table border="1"> <tr><th></th><th>mm</th><th>INCH</th></tr> <tr><td>4 PLACES</td><td>±---</td><td>±---</td></tr> <tr><td>3 PLACES</td><td>±---</td><td>±.005</td></tr> <tr><td>2 PLACES</td><td>±0.13</td><td>±.02</td></tr> <tr><td>1 PLACE</td><td>±0.5</td><td>±---</td></tr> </table>		mm	INCH	4 PLACES	±---	±---	3 PLACES	±---	±.005	2 PLACES	±0.13	±.02	1 PLACE	±0.5	±---	DIMENSION STYLE IN/MM DRAWN BY: RSTONE DATE: 2016/04/19 CHECKED BY: --- DATE: --- APPROVED BY: BRUPERT DATE: 2016/05/05	SCALE: 4:1 DESIGN UNITS: METRIC THIRD ANGLE PROJECTION	TITLE: EURO TERMINAL BLOCK 5.00MM (.197) PITCH PC MOUNT, 45 DEGREE MOLEX INCORPORATED MATERIAL NO. SEE TABLE DOCUMENT NO. SD-39543-001 SHEET NO. 2 OF 2
		mm	INCH																	
4 PLACES	±---	±---																		
3 PLACES	±---	±.005																		
2 PLACES	±0.13	±.02																		
1 PLACE	±0.5	±---																		
DRAFT WHERE APPLICABLE MUST REMAIN WITHIN DIMENSIONS		THIS DRAWING CONTAINS INFORMATION THAT IS PROPRIETARY TO MOLEX INCORPORATED AND SHOULD NOT BE USED WITHOUT WRITTEN PERMISSION																		

10 9 8 7 6 5 4 3 2 1

Description	Circuit size	Material Numbers Molded to Length						Material Numbers Stackable						Dimensional Information					
		Black			Green			Black			Green			Dim. A		Dim B			
		100% Tin			100% Tin			100% Tin			100% Tin								
		None	10A	11A	None	10A	11A	None	10A	11A	None	10A	11A	None	10A	11A	mm	inch	mm
5.0mm, Euro Block, PC Mount, 45 Deg	2	395430202	395431202	395432202	395930202	395931202	395932202	395430502	395431502	395432502	395930502	395931502	395932502	10.00	0.394	5.00	0.197		
5.0mm, Euro Block, PC Mount, 45 Deg	3	395430203	395431203	395432203	395930203	395931203	395932203	395430503	395431503	395432503	395930503	395931503	395932503	15.00	0.591	10.00	0.394		
5.0mm, Euro Block, PC Mount, 45 Deg	4	395430204	395431204	395432204	395930204	395931204	395932204	NA	NA	NA	NA	NA	NA	20.00	0.787	15.00	0.591		
5.0mm, Euro Block, PC Mount, 45 Deg	5	395430205	395431205	395432205	395930205	395931205	395932205	NA	NA	NA	NA	NA	NA	25.00	0.984	20.00	0.787		
5.0mm, Euro Block, PC Mount, 45 Deg	6	395430206	395431206	395432206	395930206	395931206	395932206	NA	NA	NA	NA	NA	NA	30.00	1.181	25.00	0.984		
5.0mm, Euro Block, PC Mount, 45 Deg	7	395430207	395431207	395432207	395930207	395931207	395932207	NA	NA	NA	NA	NA	NA	35.00	1.378	30.00	1.181		
5.0mm, Euro Block, PC Mount, 45 Deg	8	395430208	395431208	395432208	395930208	395931208	395932208	NA	NA	NA	NA	NA	NA	40.00	1.575	35.00	1.378		
5.0mm, Euro Block, PC Mount, 45 Deg	9	395430209	395431209	395432209	395930209	395931209	395932209	NA	NA	NA	NA	NA	NA	45.00	1.772	40.00	1.575		
5.0mm, Euro Block, PC Mount, 45 Deg	10	395430210	395431210	395432210	395930210	395931210	395932210	NA	NA	NA	NA	NA	NA	50.00	1.969	45.00	1.772		
5.0mm, Euro Block, PC Mount, 45 Deg	11	395430211	395431211	395432211	395930211	395931211	395932211	NA	NA	NA	NA	NA	NA	55.00	2.165	50.00	1.969		
5.0mm, Euro Block, PC Mount, 45 Deg	12	395430212	395431212	395432212	395930212	395931212	395932212	NA	NA	NA	NA	NA	NA	60.00	2.362	55.00	2.165		
5.0mm, Euro Block, PC Mount, 45 Deg	13	395430213	395431213	395432213	395930213	395931213	395932213	NA	NA	NA	NA	NA	NA	65.00	2.559	60.00	2.362		
5.0mm, Euro Block, PC Mount, 45 Deg	14	395430214	395431214	395432214	395930214	395931214	395932214	NA	NA	NA	NA	NA	NA	70.00	2.756	65.00	2.559		
5.0mm, Euro Block, PC Mount, 45 Deg	15	395430215	395431215	395432215	395930215	395931215	395932215	NA	NA	NA	NA	NA	NA	75.00	2.953	70.00	2.756		
5.0mm, Euro Block, PC Mount, 45 Deg	16	395430216	395431216	395432216	395930216	395931216	395932216	NA	NA	NA	NA	NA	NA	80.00	3.150	75.00	2.953		
5.0mm, Euro Block, PC Mount, 45 Deg	17	395430217	395431217	395432217	395930217	395931217	395932217	NA	NA	NA	NA	NA	NA	85.00	3.346	80.00	3.150		
5.0mm, Euro Block, PC Mount, 45 Deg	18	395430218	395431218	395432218	395930218	395931218	395932218	NA	NA	NA	NA	NA	NA	90.00	3.543	85.00	3.346		
5.0mm, Euro Block, PC Mount, 45 Deg	19	395430219	395431219	395432219	395930219	395931219	395932219	NA	NA	NA	NA	NA	NA	95.00	3.740	90.00	3.543		
5.0mm, Euro Block, PC Mount, 45 Deg	20	395430220	395431220	395432220	395930220	395931220	395932220	NA	NA	NA	NA	NA	NA	100.00	3.937	95.00	3.740		
5.0mm, Euro Block, PC Mount, 45 Deg	21	395430221	395431221	395432221	395930221	395931221	395932221	NA	NA	NA	NA	NA	NA	105.00	4.134	100.00	3.937		
5.0mm, Euro Block, PC Mount, 45 Deg	22	395430222	395431222	395432222	395930222	395931222	395932222	NA	NA	NA	NA	NA	NA	110.00	4.331	105.00	4.134		
5.0mm, Euro Block, PC Mount, 45 Deg	23	395430223	395431223	395432223	395930223	395931223	395932223	NA	NA	NA	NA	NA	NA	115.00	4.528	110.00	4.331		
5.0mm, Euro Block, PC Mount, 45 Deg	24	395430224	395431224	395432224	395930224	395931224	395932224	NA	NA	NA	NA	NA	NA	120.00	4.724	115.00	4.528		

SEE SHEET 1 EC NO: NEO2006-0310 DRAWN BY: L.ROTHAUS CHKD: C.YORK APPR: J.PAWLIK 2006/01/08 2006/01/08 2006/01/10	QUALITY SYMBOLS 	GENERAL TOLERANCES (UNLESS SPECIFIED)		DIMENSION STYLE		SCALE	DESIGN UNITS	THIRD ANGLE PROJECTION			
				MM/IN		4:1	INCH				
				DRAWN BY		DATE		TITLE			
				L.ROTHAUS		12/16/05		5.0MM, EURO TERM. BLOCK PC MOUNT, 45 DEGREE			
		CHECKED BY		DATE		MATERIAL NO.					
		C. YORR		01/05/06		SD-39543-001					
		APPROVED BY		DATE		DOCUMENT NO.					
						SHEET NO.					
						2 OF 2					
		DRAFT WHERE APPLICABLE MUST REMAIN WITHIN DIMENSIONS		SEE CHART		THIS DRAWING CONTAINS INFORMATION THAT IS PROPRIETARY TO MOLEX INCORPORATED AND SHOULD NOT BE USED WITHOUT WRITTEN PERMISSION					

9 8 7 6 5 4 3 2 1