

Excellent Integrated System Limited

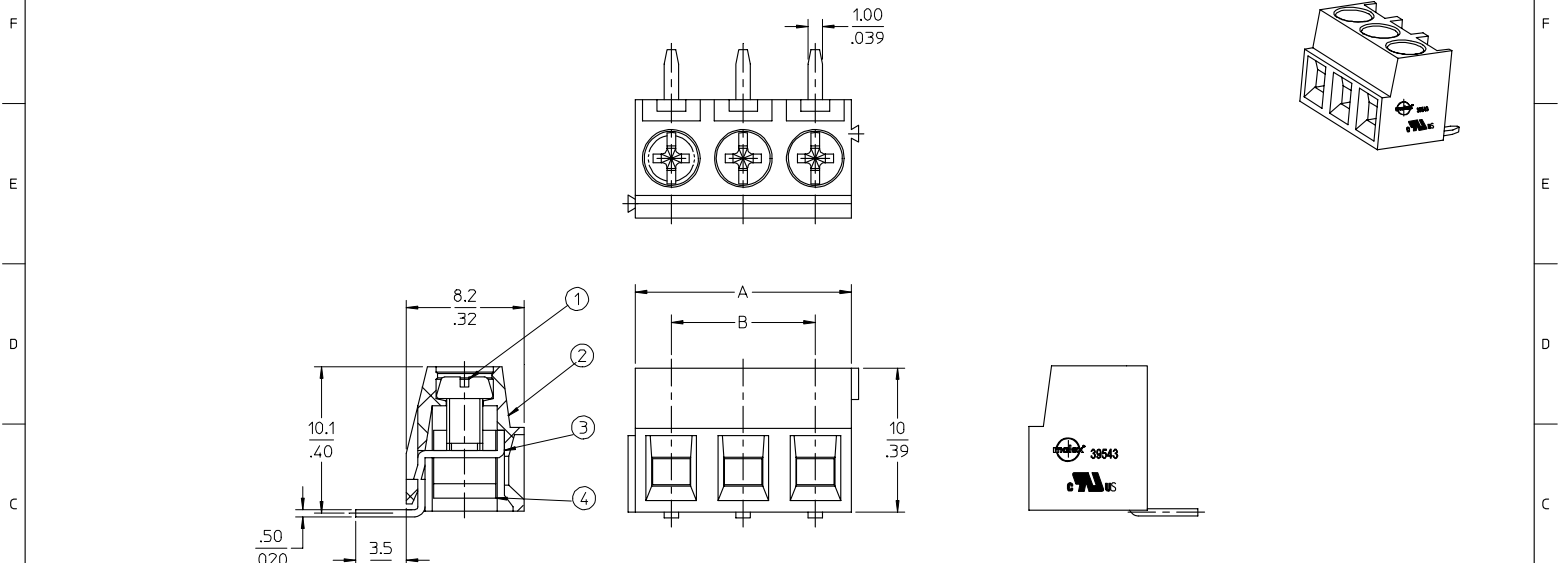
Stocking Distributor

Click to view price, real time Inventory, Delivery & Lifecycle Information:

[Molex Connector Corporation](#)
[0395933116](#)

For any questions, you can email us directly:
sales@integrated-circuit.com

10 9 8 7 6 5 4 3 2 1



- NOTES:
 SPECIFICATIONS:
 1. Material:
 (1). Screw: C1010.
 (2). Body: PA66
 (3). Terminal: Brass
 (4). Cage: Brass
 2. Wire range: 24 - 16AWG.
 3. Electrical rating: 300V, 10A.
 4. MAX TORQUE: 3.5 in-lbs.
 5. Wire strip length: 5.5mm.
 6. Dielectric withstands: AC2500V for 1 minute.
 7. Breakdown voltage: 4000v(12/50us), 5 times.
 8. Insulation resistance: DC500V, 1000M.
 9. Operating temperature: -40C to +105C.
 10. A = N x P.
 11. B = (N - 1) x P
 12. P = (Pitch) = 5.00MM (197').
 13. N = Number of positions available 2 through 24.

ENTER DESCRIPTION EC NO: NE02006-0310 DRAWN: LROTHAUS 2006/01/08 CHECKED: YORK 2006/01/08 APPR: JPAWLICK 2006/01/10 REV: A	QUALITY SYMBOLS ▽=0 ▽=0	GENERAL TOLERANCES (UNLESS SPECIFIED)		DIMENSION STYLE MM/IN	SCALE 4:1	DESIGN UNITS INCH	THIRD ANGLE PROJECTION
		4 PLACES ± --- ± .0015 3 PLACES ± 0.038 ± .005 2 PLACES ± 0.13 ± .01 1 PLACE ± 0.3 ± ---	DRAWN BY LROTHAUS	DATE 12/6/05	TITLE 5.0MM, EURO TERM BLOCK RIGHT ANGLE, PC MOUNT STACKABLE, STAMPED TERM		
DRAFT WHERE APPLICABLE MUST REMAIN WITHIN DIMENSIONS		APPROVED BY C. YORK		DATE 01/06/06	MOLEX INCORPORATED		
		MATERIAL NO. SEE CHART		DOCUMENT NO. SD-39543-006	SHEET NO. 1 OF 1		
THIS DRAWING CONTAINS INFORMATION THAT IS PROPRIETARY TO MOLEX INCORPORATED AND SHOULD NOT BE USED WITHOUT WRITTEN PERMISSION							

10 9 8 7 6 5 4 3 2 1

10 9 8 7 6 5 4 3 2 1

Description	Circuit Size	Material Numbers Molded to Length									Material Numbers Stackable						Dimensional Information			
		Black			Green			Black			Green			Dim. A		Dim. B				
		100% Tin			100% Tin			100% Tin			100% Tin			mm	inch	mm	inch			
		Printing Options			Printing Options			Printing Options			Printing Options									
None	10A	11A	None	10A	11A	None	10A	11A	None	10A	11A	None	10A	11A						
5.0mm, Euro Block, PC Mount, Right Angle	2	395433102	395435102	395437102	395933102	395935102	395937102	395434502	395436502	395438502	395934502	395936502	395938502	10.00	0.394	5.00	0.197			
5.0mm, Euro Block, PC Mount, Right Angle	3	395433103	395435103	395437103	395933103	395935103	395937103	395434503	395436503	395438503	395934503	395936503	395938503	15.00	0.591	10.00	0.394			
5.0mm, Euro Block, PC Mount, Right Angle	4	395433104	395435104	395437104	395933104	395935104	395937104	NA	NA	NA	NA	NA	NA	20.00	0.787	15.00	0.591			
5.0mm, Euro Block, PC Mount, Right Angle	5	395433105	395435105	395437105	395933105	395935105	395937105	NA	NA	NA	NA	NA	NA	25.00	0.984	20.00	0.787			
5.0mm, Euro Block, PC Mount, Right Angle	6	395433106	395435106	395437106	395933106	395935106	395937106	NA	NA	NA	NA	NA	NA	30.00	1.181	25.00	0.984			
5.0mm, Euro Block, PC Mount, Right Angle	7	395433107	395435107	395437107	395933107	395935107	395937107	NA	NA	NA	NA	NA	NA	35.00	1.378	30.00	1.181			
5.0mm, Euro Block, PC Mount, Right Angle	8	395433108	395435108	395437108	395933108	395935108	395937108	NA	NA	NA	NA	NA	NA	40.00	1.575	35.00	1.378			
5.0mm, Euro Block, PC Mount, Right Angle	9	395433109	395435109	395437109	395933109	395935109	395937109	NA	NA	NA	NA	NA	NA	45.00	1.772	40.00	1.575			
5.0mm, Euro Block, PC Mount, Right Angle	10	395433110	395435110	395437110	395933110	395935110	395937110	NA	NA	NA	NA	NA	NA	50.00	1.969	45.00	1.772			
5.0mm, Euro Block, PC Mount, Right Angle	11	395433111	395435111	395437111	395933111	395935111	395937111	NA	NA	NA	NA	NA	NA	55.00	2.166	50.00	1.969			
5.0mm, Euro Block, PC Mount, Right Angle	12	395433112	395435112	395437112	395933112	395935112	395937112	NA	NA	NA	NA	NA	NA	60.00	2.362	55.00	2.166			
5.0mm, Euro Block, PC Mount, Right Angle	13	395433113	395435113	395437113	395933113	395935113	395937113	NA	NA	NA	NA	NA	NA	65.00	2.559	60.00	2.362			
5.0mm, Euro Block, PC Mount, Right Angle	14	395433114	395435114	395437114	395933114	395935114	395937114	NA	NA	NA	NA	NA	NA	70.00	2.756	65.00	2.559			
5.0mm, Euro Block, PC Mount, Right Angle	15	395433115	395435115	395437115	395933115	395935115	395937115	NA	NA	NA	NA	NA	NA	75.00	2.953	70.00	2.756			
5.0mm, Euro Block, PC Mount, Right Angle	16	395433116	395435116	395437116	395933116	395935116	395937116	NA	NA	NA	NA	NA	NA	80.00	3.150	75.00	2.953			
5.0mm, Euro Block, PC Mount, Right Angle	17	395433117	395435117	395437117	395933117	395935117	395937117	NA	NA	NA	NA	NA	NA	85.00	3.346	80.00	3.150			
5.0mm, Euro Block, PC Mount, Right Angle	18	395433118	395435118	395437118	395933118	395935118	395937118	NA	NA	NA	NA	NA	NA	90.00	3.543	85.00	3.346			
5.0mm, Euro Block, PC Mount, Right Angle	19	395433119	395435119	395437119	395933119	395935119	395937119	NA	NA	NA	NA	NA	NA	95.00	3.740	90.00	3.543			
5.0mm, Euro Block, PC Mount, Right Angle	20	395433120	395435120	395437120	395933120	395935120	395937120	NA	NA	NA	NA	NA	NA	100.00	3.937	95.00	3.740			
5.0mm, Euro Block, PC Mount, Right Angle	21	395433121	395435121	395437121	395933121	395935121	395937121	NA	NA	NA	NA	NA	NA	105.00	4.134	100.00	3.937			
5.0mm, Euro Block, PC Mount, Right Angle	22	395433122	395435122	395437122	395933122	395935122	395937122	NA	NA	NA	NA	NA	NA	110.00	4.331	105.00	4.134			
5.0mm, Euro Block, PC Mount, Right Angle	23	395433123	395435123	395437123	395933123	395935123	395937123	NA	NA	NA	NA	NA	NA	115.00	4.528	110.00	4.331			
5.0mm, Euro Block, PC Mount, Right Angle	24	395433124	395435124	395437124	395933124	395935124	395937124	NA	NA	NA	NA	NA	NA	120.00	4.724	115.00	4.528			

SEE SHEET 1 IEC NO. NE02006-0310 DRAWN BY: LROTHAUS CHKD BY: C. YORK APPR: J.PAWLIK 2006/01/08 2006/01/08 2006/01/10	QUALITY SYMBOLS ▽=0 ▽=0 ▽=0	GENERAL TOLERANCES (UNLESS SPECIFIED)	DIMENSION STYLE	SCALE	DESIGN UNITS	THIRD ANGLE PROJECTION
		4 PLACES ± --- ± .0015 3 PLACES ± 0.038 ± .005 2 PLACES ± 0.13 ± .01 1 PLACE ± 0.3 ± ---	MM/IN	4:1	INCH	
		ANGULAR ± 2°	DRAWN BY	DATE	TITLE	
		DRAFT WHERE APPLICABLE MUST REMAIN WITHIN DIMENSIONS	LROTHAUS	12/16/05	5.0MM, EURO TERM. BLOCK RIGHT ANGLE, PC MOUNT, STACKABLE, STAMPED TERM.	
			C. YORK	01/06/06		
			APPROVED BY	DATE		
			MATERIAL NO.	DOCUMENT NO.		
			SEE CHART	SD-39543-006		
			SIZE B	THIS DRAWING CONTAINS INFORMATION THAT IS PROPRIETARY TO MOLEX INCORPORATED AND SHOULD NOT BE USED WITHOUT WRITTEN PERMISSION		SHEET NO. 2 OF 2

9 8 7 6 5 4 3 2 1