

Excellent Integrated System Limited

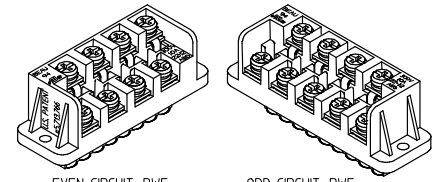
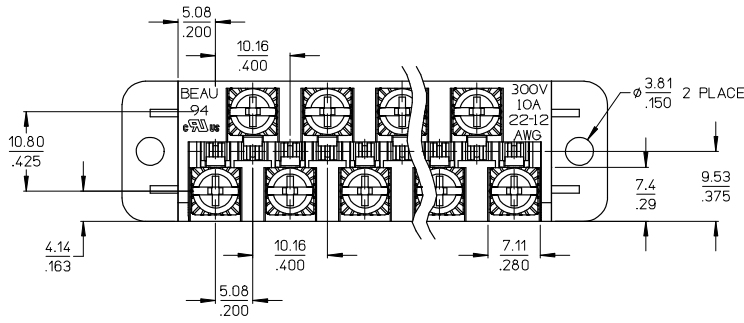
Stocking Distributor

Click to view price, real time Inventory, Delivery & Lifecycle Information:

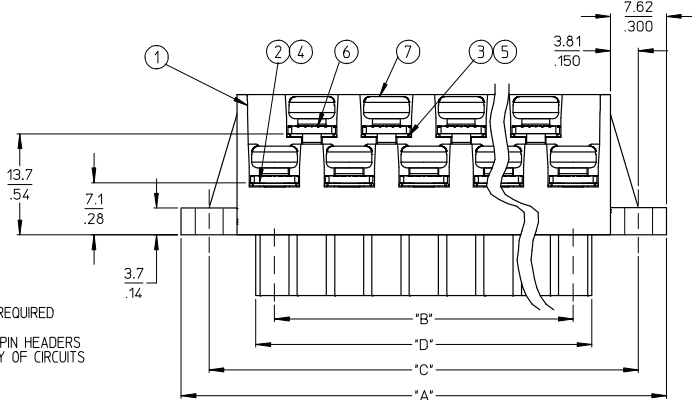
[Molex Connector Corporation](#)
[0399400624](#)

For any questions, you can email us directly:

sales@integrated-circuit.com



AUXILIARY VIEWS
SCALE 1:1



NOTES:

1. MATERIAL: SEE TABLE
2. FINISHES: SEE TABLE
3. PRODUCT SPECIFICATION: NOT REQUIRED
4. PACKAGING: NOT REQUIRED
5. MATES WITH: MOST 5.08 (200) PIN HEADERS
6. 'XX' REFERS TO THE QUANTITY OF CIRCUITS
7. ROHS COMPLIANT

ODD CIRCUIT CONFIGURATION SHOWN

7	XX	XX	SCREW, M3.5 X .280	STEEL	ZINC CHROMATE
6	XX	XX	NUT, M3.5, HEX	STEEL	ZINC CHROMATE
5	XX/2	0XX-1/2	REAR ROW TERMINAL (-G30 OPT.)	PHOS. BRONZE	SELECTIVE GOLD
4	XX/2	0XX-1/2	FRONT ROW TERMINAL (-G30 OPT.)	PHOS. BRONZE	SELECTIVE GOLD
3	XX/2	0XX-1/2	REAR ROW TERMINAL	PHOS. BRONZE	HOT TIN DIP
2	XX/2	0XX-1/2	FRONT ROW TERMINAL	PHOS. BRONZE	HOT TIN DIP
1	1	1	BARRIER	THERMOPLASTIC	BLACK
ITEM	QTY. (EVEN NO. OF CIRCUITS)	QTY. (ODD NO. OF CIRCUITS)	DESCRIPTION	MATERIAL	FINISH

REVISED & REDRAWN	EC NO: WNA2008-0391	2008/07/01
DRAWN: ENCINAS	CHKD: YORK	2008/07/02
APP: JIMKINELL	2008/07/02	
REV	DESCRIPTION	

QUALITY SYMBOLS
▽=0
▽=0

GENERAL TOLERANCES (UNLESS SPECIFIED)	
mm	INCH
4 PLACES ± .005	± .0005
3 PLACES ± .005	± .0005
2 PLACES ± 0.13	± .01
1 PLACE ± 0.3	± .01
ANGULAR ± 2 °	

DRAWN BY	DATE
R KEMP	2003/03/07
CHECKED BY	DATE
R STONE	2003/03/07
APPROVED BY	DATE
P WALTZ	2003/03/10

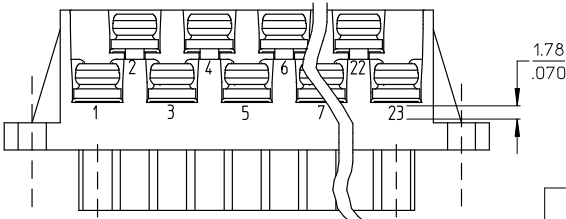
DIMENSION STYLE	SCALE	DESIGN UNITS	THIRD ANGLE PROJECTION
MM/IN	2:1	INCH	
TITLE			
5.08/.200 PLUG ASSY, RWE WITH BULKHEAD PANEL MTG. ENDS (9478XX)			
MATERIAL NO.			
SEE SHEET 2			
DOCUMENT NO.			
SD-39940-001			
SHEET NO.			
1 OF 2			

DRAFT WHERE APPLICABLE MUST REMAIN WITHIN DIMENSIONS

THIS DRAWING CONTAINS INFORMATION THAT IS PROPRIETARY TO MOLEX INCORPORATED AND SHOULD NOT BE USED WITHOUT WRITTEN PERMISSION

10 9 8 7 6 5 4 3 2 39940

MATERIAL NO.	MATERIAL NO. (-10A OPT.)	MATERIAL NO. (-G30 OPT.)	MATERIAL NO. (-G30,-10A OPT.)	NO. OF CIRC. *XX*	*A*	*B*	*C*	*D* ⁺⁰⁰ / ₋₂₅ [⁺⁰⁰⁰ / ₋₀₁₀]
399400603	399401603			03	35.6 [1.40]	10.2 [.40]	27.9 [1.10]	15.2 [.60]
399400604	399401604			04	40.6 [1.60]	15.2 [.60]	33.0 [1.30]	20.3 [.80]
399400605	399401605			05	45.7 [1.80]	20.3 [.80]	38.1 [1.50]	25.4 [1.00]
399400606	399401606			06	50.8 [2.00]	25.4 [1.00]	43.2 [1.70]	30.5 [1.20]
399400607	399401607			07	55.9 [2.20]	30.5 [1.20]	48.3 [1.90]	35.6 [1.40]
399400608	399401608		399490018	08	61.0 [2.40]	35.6 [1.40]	53.3 [2.10]	40.6 [1.60]
399400609	399401609			09	66.0 [2.60]	40.6 [1.60]	58.4 [2.30]	45.7 [1.80]
399400610	399401610			10	71.1 [2.80]	45.7 [1.80]	63.5 [2.50]	50.8 [2.00]
399400611	399401611			11	76.2 [3.00]	50.8 [2.00]	68.6 [2.70]	55.9 [2.20]
399400612	399401612			12	81.3 [3.20]	55.9 [2.20]	73.7 [2.90]	61.0 [2.40]
399400613	399401613			13	86.4 [3.40]	61.0 [2.40]	78.7 [3.10]	66.0 [2.60]
399400614	399401614			14	91.4 [3.60]	66.0 [2.60]	83.8 [3.30]	71.1 [2.80]
399400615	399401615			15	96.5 [3.80]	71.1 [2.80]	88.9 [3.50]	76.2 [3.00]
399400616	399401616			16	101.6 [4.00]	76.2 [3.00]	94.0 [3.70]	81.3 [3.20]
399400617	399401617			17	106.7 [4.20]	81.3 [3.20]	99.1 [3.90]	86.4 [3.40]
399400618	399401618			18	111.8 [4.40]	86.4 [3.40]	104.1 [4.10]	91.4 [3.60]
399400619	399401619			19	116.8 [4.60]	91.4 [3.60]	109.2 [4.30]	96.5 [3.80]
399400620	399401620			20	121.9 [4.80]	96.5 [3.80]	114.3 [4.50]	101.6 [4.00]
399400621	399401621			21	127.0 [5.00]	101.6 [4.00]	119.4 [4.70]	106.7 [4.20]
399400622	399401622			22	132.1 [5.20]	106.7 [4.20]	124.5 [4.90]	111.8 [4.40]
399400623	399401623			23	137.2 [5.40]	111.8 [4.40]	129.5 [5.10]	116.8 [4.60]
399400624	399401624			24	142.2 [5.60]	116.8 [4.60]	134.6 [5.30]	121.9 [4.80]



OPTIONAL
10A IMPRINTING
(ODD CIRCUIT CONFIGURATION SHOWN)

SEE SHEET ONE EC NO: WNA2008-0391 DRAWR: JENCINAS 2008/07/07 CHECKTOR: 2008/07/02 APPR: JMACNEIL 2008/07/07	QUALITY SYMBOLS	GENERAL TOLERANCES (UNLESS SPECIFIED)		DIMENSION STYLE		SCALE	DESIGN UNITS	THIRD ANGLE PROJECTION
	$\nabla=0$ $\nabla=0$	mm	INCH	MM/IN		2:1	INCH	
		4 PLACES ± .005	± .005	DRAWN BY R. KEMP		DATE 2003/03/07	TITLE 5.08/200 PLUG ASSY, RWE WITH BULKHEAD PANEL MTG. ENDS (9478XX)	
		3 PLACES ± .01	± .01	CHECKED BY R. STONE		DATE 2003/03/07	MOLEX INCORPORATED	
	2 PLACES ± 0.13	± .01	APPROVED BY P. WALTZ		DATE 2003/03/10	DOCUMENT NO. SD-39940-001		
	1 PLACE ± 0.3	± .01	MATERIAL NO. SEE CHART		SHEET NO. 2 OF 2		THIS DRAWING CONTAINS INFORMATION THAT IS PROPRIETARY TO MOLEX INCORPORATED AND SHOULD NOT BE USED WITHOUT WRITTEN PERMISSION	
		ANGULAR ± 2 °	DRAFT WHERE APPLICABLE MUST REMAIN WITHIN DIMENSIONS					

9 8 7 6 5 4 3 2 1