

Excellent Integrated System Limited

Stocking Distributor

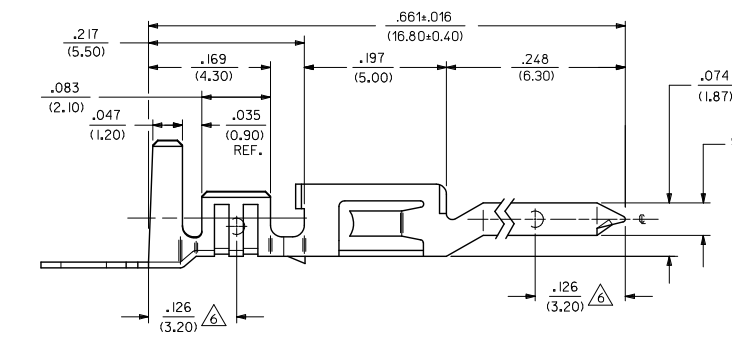
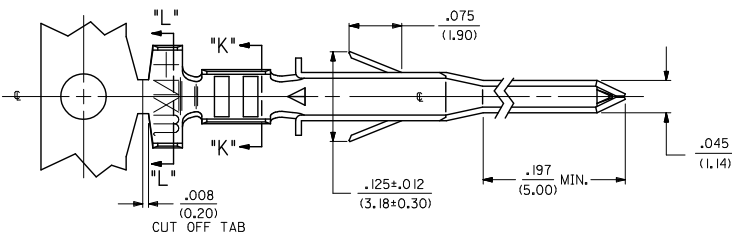
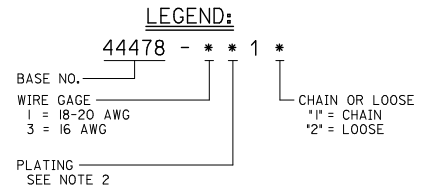
Click to view price, real time Inventory, Delivery & Lifecycle Information:

[Molex Connector Corporation](#)
[0444783211](#)

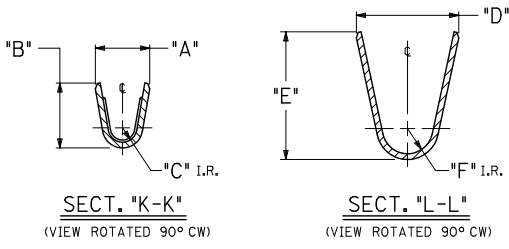
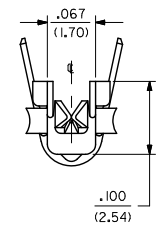
For any questions, you can email us directly:

sales@integrated-circuit.com

ITEM NO.	FORM	WIRE GAGE	RANGE OF INSULATION DIA.	DIM. "A"	DIM. "B"	DIM. "C"	DIM. "D"	DIM. "E"	DIM. "F"
44478-1111	CHAIN	18-20 GA.	.051-.122	.075±.012	.091±.016	.020	.142±.012	.177±.016	.035
44478-1112	LOOSE		(1.30-3.10)	(1.90±.30)	(2.30±.40)	(.50)	(3.60±.30)	(4.50±.40)	(.90)
44478-3111	CHAIN	16 GA.	.122	.091±.012	.106±.016	.024	.142±.012	.177±.016	.035
44478-3112	LOOSE		(3.10) MAX.	(2.30±.30)	(2.70±.40)	(.60)	(3.60±.30)	(4.50±.40)	(.90)
44478-1211	CHAIN	18-20 GA.	.051-.122	.075±.012	.091±.016	.020	.142±.012	.177±.016	.035
44478-1212	LOOSE		(1.30-3.10)	(1.90±.30)	(2.30±.40)	(.50)	(3.60±.30)	(4.50±.40)	(.90)
44478-3211	CHAIN	16 GA.	.122	.091±.012	.106±.016	.024	.142±.012	.177±.016	.035
44478-3212	LOOSE		(3.10) MAX.	(2.30±.30)	(2.70±.40)	(.60)	(3.60±.30)	(4.50±.40)	(.90)



- NOTES:**
- MATERIAL:
COPPER ALLOY, .008/(0.20) THICK.
 - FINISH:
*1= PLATING: POSTPLATE .000100/(0.00254) MIN. BRIGHT TIN OVER .000030/(0.00076) MIN. NICKEL OVERALL.
*2=PLATING: POSTPLATE .000030/(0.00076) MIN. SELECT GOLD AND .000100/(0.00254) MIN. MATTE TIN OVER .000050/(0.00127) MIN. NICKEL OVERALL.
*THE PRIMARY SHIPPING CARTON WILL BE LABELED "COMPLIANT TO RoHS DIRECTIVE 2002/95/EC AND ELV ANNEX II OF DIRECTIVE 2000/53/EC." CARTONS WITHOUT THIS LABEL MAY CONTAIN PRODUCT WITH TIN-LEAD PLATING.
 - PRODUCT SPECIFICATION PS-44476-001.
 - PACKAGING SPECIFICATION: PK-44478-001 FOR CHAIN TERMINALS
PK-5556-003 FOR LOOSE TERMINALS
 - TERMINAL IS FOR USE WITH MOLEX PLUG HOUSINGS 5559, 30068 AND 42475.
 - MEASURING POINT FOR PLATING THICKNESS.
 - ITEM NUMBERS PRECEDED BY AN "X" IN THE CHART ARE NOT AVAILABLE.



MODIFIED NOTES EC NO: UCP2010-0471 DRAWN: JAGULAR 2009/12/23 CHKD: BELL 2009/12/23 APPR: SMITH 2009/12/28 G1	QUALITY SYMBOLS ▽=0 ▽=0	GENERAL TOLERANCES (UNLESS SPECIFIED)		DIMENSION STYLE IN/MM		SCALE 10:1	DESIGN UNITS METRIC	THIRD ANGLE PROJECTION	
		4 PLACES ± --- ± --- 3 PLACES ± --- ± .010 2 PLACES ± 0.25 ± .015 1 PLACE ± 0.38 ± --- ANGULAR ± 1/2°		DRAWN BY DATE GEP 1994/07/25		TITLE TERMINAL, MALE, CRIMP MINI-FIT JR HCS SERIES			
		DRAFT WHERE APPLICABLE MUST REMAIN WITHIN DIMENSIONS		CHECKED BY DATE R J F 1994/07/25		APPROVED BY DATE R J F 1994/07/25			
		SEE CHART		MATERIAL NO. SD-44478-****		MOLEX INCORPORATED		SHEET NO. 1 OF 1	