

Excellent Integrated System Limited

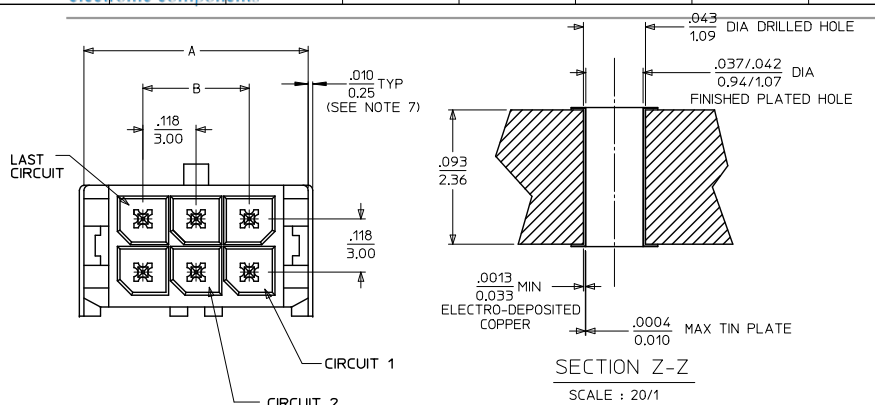
Stocking Distributor

Click to view price, real time Inventory, Delivery & Lifecycle Information:

[Molex Connector Corporation](#)
[0449146602](#)

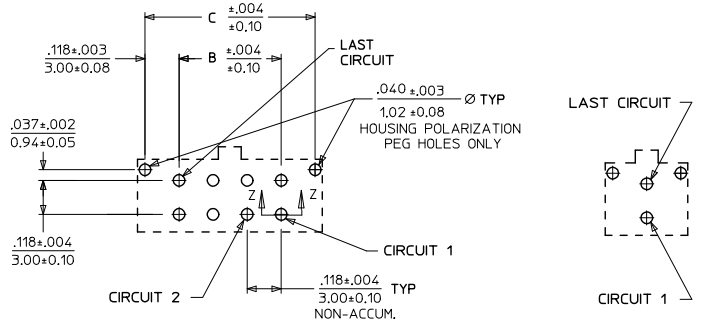
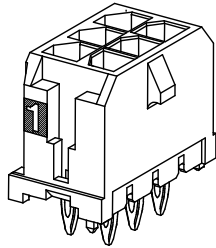
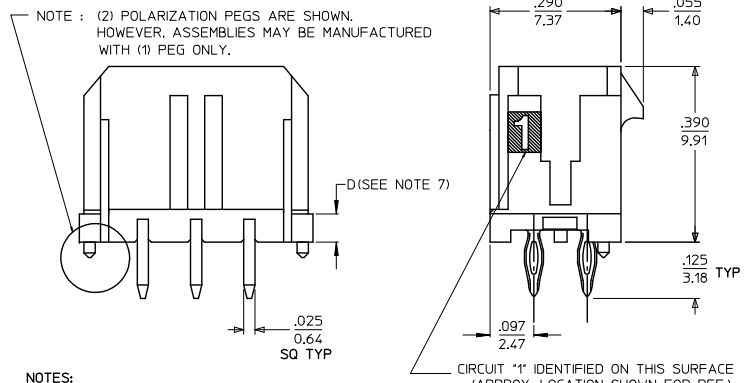
For any questions, you can email us directly:

sales@integrated-circuit.com



CKTS	FINISH:		
	A	B	C
02	44914-0201	44914-5202	44914-5203
04	44914-0401	44914-5402	44914-5403
06	44914-0601	44914-5602	44914-5603
08	44914-0801	44914-5802	44914-5803
10	44914-1001	44914-6002	44914-6003
12	44914-1201	44914-6202	44914-6203
14	44914-1401	44914-6402	44914-6403
16	44914-1601	44914-6602	44914-6603
18	44914-1801	44914-6802	44914-6803
20	44914-2001	44914-7002	44914-7003
22	44914-2201	44914-7202	44914-7203
24	44914-2401	44914-7402	44914-7403

CKTS	FINISH:		
	A	B	C
02	.262	NA	.236
04	.380	.118	.354
06	.498	.236	.472
08	.616	.354	.591
10	.734	.472	.709
12	.852	.591	.827
14	.970	.709	.945
16	1.088	.827	1.063
18	1.206	.945	1.181
20	1.325	1.063	1.299
22	1.443	1.181	1.417
24	1.561	1.299	1.535



- NOTES:**
- HOUSING MATERIAL: GLASS FILLED LIQUID CRYSTAL POLYMER, UL94V-0, COLOR: BLACK
 - TERMINAL MATERIAL: MODIFIED TIN/BRASS ALLOY
 - FINISH: A = .000200/(0.0051) MIN. TIN OVER .000050/(0.0013) MIN. NICKEL PLATE.
 - B = .00015/(0.00038) MINIMUM GOLD IN SELECTIVE AREA, .000100/(0.00254) MINIMUM MATTE TIN ON PCB TAILS, BOTH OVER .000050/(0.00127) MINIMUM NICKEL PLATE.
 - C = .000030/(0.00076) MINIMUM GOLD IN SELECTIVE AREA, .000100/(0.00254) MINIMUM MATTE TIN ON PCB TAILS, BOTH OVER .000050/(0.00127) MINIMUM NICKEL PLATE.
 - PRODUCT SPECIFICATION: PS-43045
 - TRAY PACKAGED: SEE MOLEX DRAWING PK-70873-0314
 - MATES WITH MICRO FIT (3.0) RECEPTACLE SERIES 43025
 - HEADER INSTALLATION REQUIRES A MINIMUM FORCE OF 24LBS/(107 N) PER CIRCUIT DISTRIBUTED EQUALLY ACROSS THE ENTIRE HOUSING SURFACE.
 - CIRCUIT SIZES 2-6: 'D' IS 0.265/6.74 FOR .010/0.25 STEP. CIRCUIT SIZES 8-24: 'D' IS 0.063/1.60 FOR .010/0.25 STEP.
 - THIS PART CONFORMS TO CLASS B REQUIREMENTS OF COSMETIC SPECIFICATION PS-45499-002.

ADD. TIN PINS	REV	DESCRIPTION	QUALITY SYMBOLS	GENERAL TOLERANCES (UNLESS SPECIFIED)		DIMENSION STYLE		SCALE	DESIGN UNITS	THIRD ANGLE PROJECTION
				mm	INCH	IN/MM	DATE			
4 PLACES	±	---	---	---	---	---	---	---	---	---
3 PLACES	±	---	---	---	---	---	---	---	---	---
2 PLACES	±	0.25	± 0.014	---	---	---	---	---	---	---
1 PLACE	±	0.36	±	---	---	---	---	---	---	---
0 PLACE	±	---	---	---	---	---	---	---	---	---
ANGULAR ±1/2°				MATERIAL NO.		DOCUMENT NO.				
DRAFT WHERE APPLICABLE MUST REMAIN WITHIN DIMENSIONS				SEE CHART		SD-44914-002		SHEET NO. 1 OF 1		

MICRO FIT HEADER
VERTICAL COMPLIANT PIN
TRAY PACKED, LEAD-FREE

