

## Excellent Integrated System Limited

Stocking Distributor

Click to view price, real time Inventory, Delivery & Lifecycle Information:

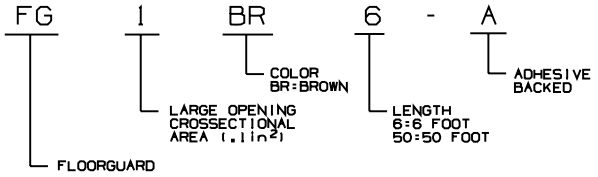
[Panduit](#)  
[FG1BL50-A](#)

For any questions, you can email us directly:

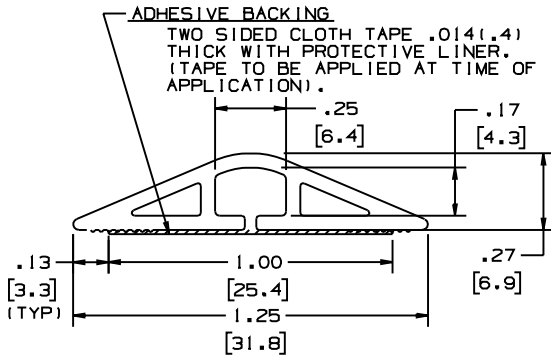
[sales@integrated-circuit.com](mailto:sales@integrated-circuit.com)

THIS COPY IS PROVIDED ON A RESTRICTED BASIS AND IS NOT TO BE USED IN ANY WAY DETRIMENTAL TO THE INTERESTS OF PANDUIT CORP.

NO WARRANTY, EXPRESSED OR IMPLIED, IS MADE BY PANDUIT WITH RESPECT TO ADHESIVE BOND PERFORMANCE AMONG OTHER THINGS, THE CONDITIONS UNDER WHICH THESE PRODUCTS MAY BE APPLIED AND/OR THE SURFACE TO WHICH THEY MAY BE APPLIED ARE BEYOND PANDUIT'S CONTROL.



NOTES: COLOR CODE: BR=BROWN, YL=SAFETY YELLOW, EI=ELECTRICAL IVORY, BL=BLACK  
 LENGTH: 6 FOOT  $\pm .2$  in. (1.52mm)  
 50 FOOT  $\pm .2$  in. (15.24m  $\pm .5$ mm)  
 WEIGHT: .08 lb/ft, (.115 Kg/m)



**INSTRUCTIONS**

1. CUT FLOORGUARD TO DESIRED LENGTH.
2. INSERT WIRES INTO FLOORGUARD.
3. APPLY TAPE TO FLOORGUARD. (TAPE IS TO BE CENTRALLY LOCATED ON THE FLOORGUARD AS SHOWN ON THE DRAWING.)
4. REMOVE RELEASE LINER FROM TAPE AND PLACE FLOORGUARD ON A CLEAN, DRY SURFACE.
5. APPLY PRESSURE TO ENTIRE LENGTH OF FLOORGUARD TO OBTAIN MAXIMUM ADHESION.

WPXD,MISC.DUCT,CUST-2  
 DWG NAME LAYER NO.  
 FG1 20

CUSTOMER DRAWING

CAD FILENAME/LAYERS  
 DIMENSIONS IN PARENTHESIS ARE IN METRIC

										PANDUIT		CORP. TINLEY PARK, ILLINOIS	
										FLOORGUARD FG1			
										UNLESS OTHERWISE SPECIFIED, DIMENSIONAL TOLERANCES ARE: (.X) : (.XXX) : (.XX) : .05(1.3) ANGLES :		UNLESS OTHERWISE SPECIFIED, ALL DIMENSIONS ARE GIVEN IN INCHES, THIRD ANGLE PROJECTION.	
										DRAWN BY DW		MAT'L: FLEXIBLE VINYL	
										DATE 12-4-90		SCALE NONE	
										DRAWN BY CEF		DRAWING NO. 34153-2	
										Dwg A		SIZE	
R	12-5-90	DW	CEF	RELEASED TO PRODUCTION	34153-2	R	WJB						
REV	DATE	BY	CHK	DESCRIPTION	ECN	R	CUST	SUP					