

Excellent Integrated System Limited

Stocking Distributor

Click to view price, real time Inventory, Delivery & Lifecycle Information:

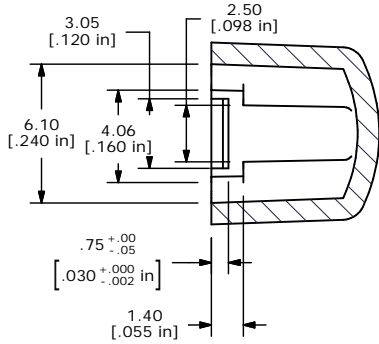
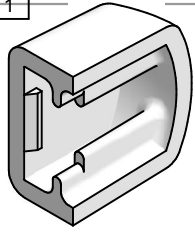
[E-Switch](#)

[3J](#)

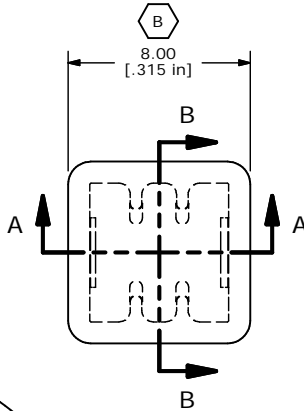
For any questions, you can email us directly:

sales@integrated-circuit.com

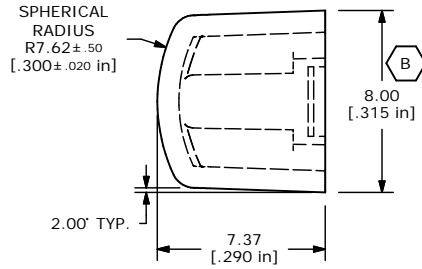
SHEET 1 OF 1



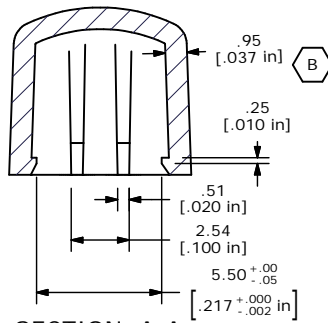
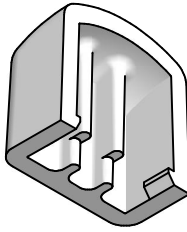
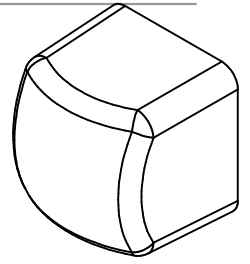
SECTION B-B
SCALE 4 : 1



SECTION A-A
SCALE 4 : 1



ISOMETRIC



- NOTES:
1. ALL DIMENSIONS IN MM [INCH]
 2. GENERAL TOLERANCE: X.X=±0.4
X.XX=±0.25
 3. MATERIAL: POLYCARBONUTE, TRANSLUCENT WHITE
 4. ▲ DENOTES CRITICAL PARAMETER.

B	14225	CHANGE OVERALL BODY SIZE	8/11/04	AR
A	13823	RELEASED FOR PRODUCTION	3/9/04	AR
REV	PCR NO	DESCRIPTION	DATE	BY

THE INFORMATION CONTAINED IN THIS DOCUMENT IS PROPRIETARY TO E-SWITCH AND IS NOT TO BE COPIED OR TRANSFERRED

E-SWITCH®				
TITLE 3J CAP, TRANSLUCENT WHITE				
SCALE 4:1	DATE 3/9/04	DR AR	DWG P001030	REV B