

## **Excellent Integrated System Limited**

Stocking Distributor

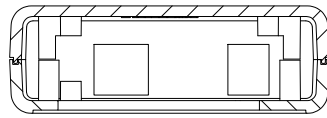
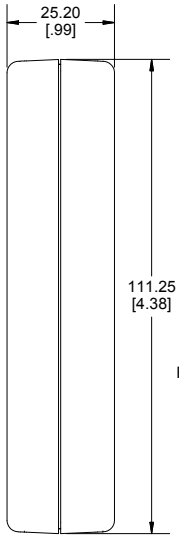
Click to view price, real time Inventory, Delivery & Lifecycle Information:

[Hammond Manufacturing](#)  
[1593HAMMEGABK](#)

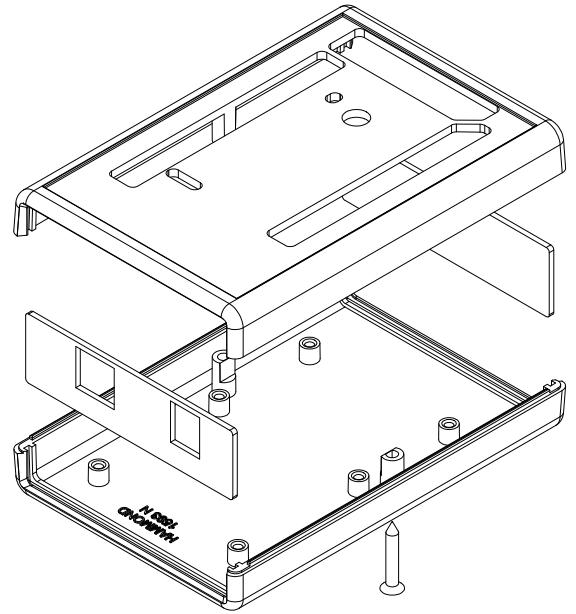
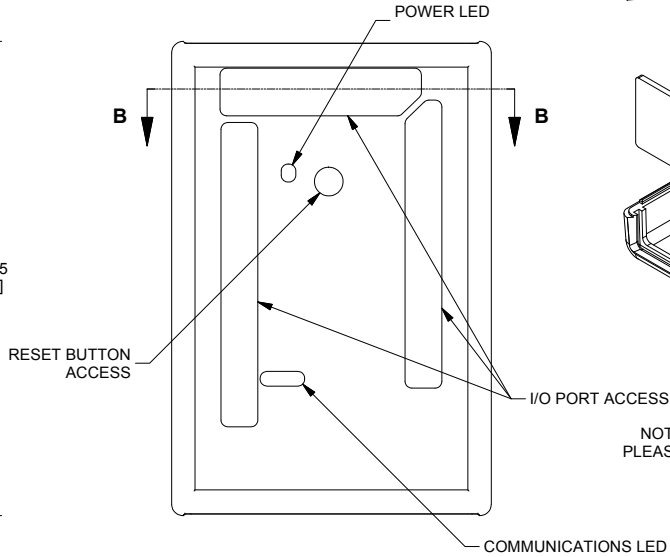
For any questions, you can email us directly:

[sales@integrated-circuit.com](mailto:sales@integrated-circuit.com)

Enclosures can be Factory Modified (Milling, Drilling, Printing etc.)  
Contact Factory mjm@hammondmfg.com for quotes



**SECTION B-B**

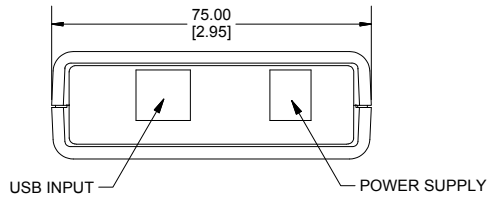


NOTE: 1593MEG ENCLOSURE IS BASED ON HAMMOND STANDARD 1593N  
PLEASE SEE 1593N DRAWING FOR STANDARD ENCLOSURE SPECIFICATIONS

**NOTE**

Purchased assembly includes top and bottom cover, front and rear end panels, 2 cover screws, and 1 black rubber foot (P.C. Board not included)  
Enclosure molded from ABS Plastic.

**ASSEMBLY - VIEW FROM TOP SIDE**



Dimensions:  
mm  
[inches]

**PART NUMBERS**

1593HAMMEG Enclosure	
Black Enclosure	1593HAMMEGBK
Grey Enclosure	1593HAMMEGGY
Translucent Blue Enclosure	1593HAMMEGTBU



**HAMMOND  
MANUFACTURING™**

**1593HAMMEG**

www.hammondmfg.com