

Excellent Integrated System Limited

Stocking Distributor

Click to view price, real time Inventory, Delivery & Lifecycle Information:

[Souriau Connection Technology](#)
[UTP0187S](#)

For any questions, you can email us directly:

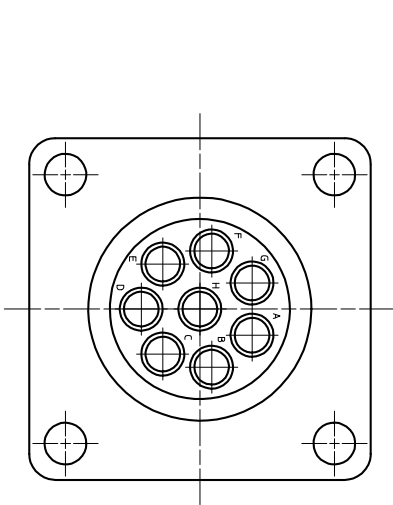
sales@integrated-circuit.com

DIT IS ONZE EIGENDOM EN MAG NOCH NAGEMAAKT. HERDRUKT, OVERGEMAAKT AAN DERDEN, NOCH VOOR FABRIKATIE GEBRUIKT WORDEN, ZONDER ONZE SCHRIFTELIJKE TOELATING. BIJ NIET GEBRUIK IS DE TERUGZENDING VERPLICHT.

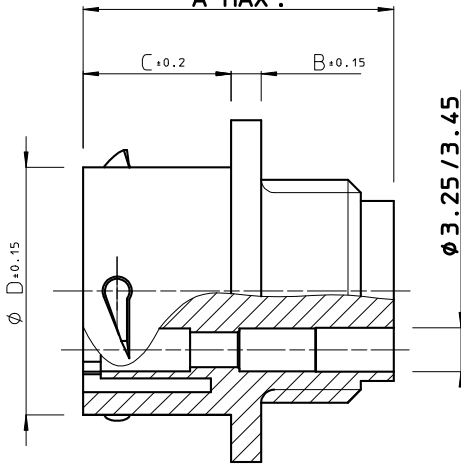
THIS IS OUR EXCLUSIVE PROPERTY. IT IS NOT TO BE COPIED, REPRINTED OR DISCLOSED TO A THIRD PARTY, NOR USED FOR MANUFACTURING WITHOUT OUR WRITTEN CONSENT, AND HAS TO BE RETURNED TO US IN CASE OF NO USAGE

REV.	DATE	DESCRIPTION	BY	C 'K' 'D'
00	24.10.96	UTP0103SVDE AND UTP0187SVDEU ADDED	S.V.D.	
01	18.04.97	NOTE 5 ADDED	S.V.D.	
02	27.11.07	DELETE "VDE" AT THE END OF PART NUMBER	R Ch	

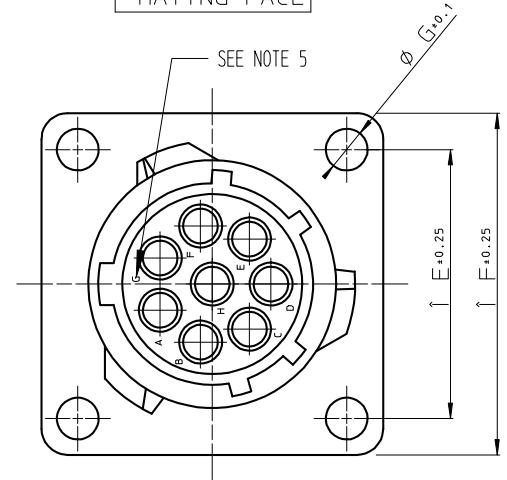
WIRING FACE



A MAX.



MATING FACE



CAT. NUMBER	A MAX.	B+0.15	C+0.2	Ø D+0.15	E+0.25	F+0.25	Ø G+0.1	Ø H+0.1	Ø J+0.1
UTP0103S	27.6	2.3	11.3	15.0	18.3	23.8	3.2	17.3	15.1
UTP0104S	24.3	2.3	11.3	15.0	18.3	23.8	3.2	17.3	15.1
UTP0125S	24.3	2.3	11.3	19.0	20.6	26.2	3.2	21.8	18.2
UTP0128S	24.3	2.3	11.3	19.0	20.6	26.2	3.2	21.8	18.2
UTP01412S	24.3	2.3	11.3	22.2	23.0	28.6	3.2	25.0	21.4
UTP01619S	24.3	2.3	11.3	25.3	24.6	31.0	3.2	28.1	24.6
UTP0187S	30.4	2.5	17.9	28.5	26.9	33.3	3.2	31.3	27.8
UTP01823S	24.3	2.5	11.3	28.5	26.9	33.3	3.2	31.3	27.8
UTP02028S	27.0	2.5	14.5	31.7	29.4	36.5	3.2	34.5	30.9
UTP02235S	28.0	3.5	14.5	34.9	31.6	39.7	3.2	37.7	34.1
UTP02448S	30.4	3.5	15.3	38.0	34.9	42.9	3.9	40.9	37.3

UTP0128S AS SHOWN

MATERIAL

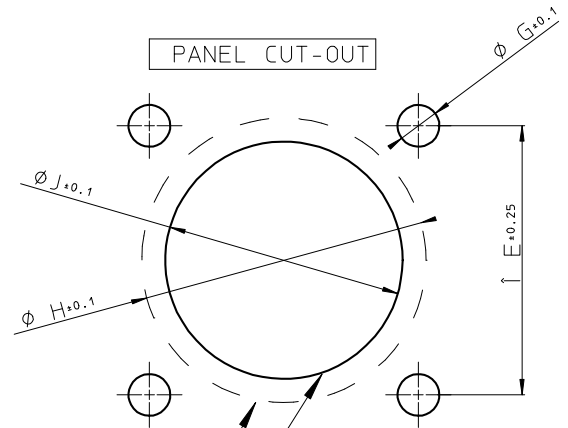
- BODY : GLASS-FILLED POLYESTER UL94-V0. COLOUR : BLACK

PERFORMANCE CHARACTERISTICS

- OPERATING TEMPERATURE : -25 °C TO +125 °C.
- INSULATION RESISTANCE : 5000 MOhm MIN.
- TEST POTENTIAL : 2000 V EFF.

NOTES

- CONNECTOR ACCEPTS N° 16 STRIP FORMED SOCKET, MACHINED SOCKET AND SUBMINIATURE COAXIAL PIN AND SOCKET CONTACTS.
- CONTACTS TO BE ORDERED SEPARATELY : REFER TO TRIM - TRIO CATALOG.
- FOR OTHER INSERT ARRANGEMENTS SEE BS.C .201458.000
- MATING PART : UTP6----P
- THE CAVITY MARKING OF ALL SIZES IS WITH LETTERS, EXCEPT FOR THE ITEMS UTP0103S AND UTP0187S, THEY HAVE A NUMBERING.



REAR PANEL MOUNTING
FRONT PANEL MOUNTING

GEN. ST.	01	02	03	04	05	06	07	08	0D	50	60	70	80	90																	
INT. ST.	10	11	12	13	14	18	20	31	32	33	34	38	39	40	42	43	44	45	46	48	56	70	72	73	75	76	81	82	83	84	88

1DEC ±0,2 1DEC 2DEC ±0,1 2DEC ANGLES ±1° HOEKEN	APPR.	DATE	SIGN.	UTP FEMALE RECEPTACLE
	DRAFT	19-04-94	J.GOOSENS	CAT. No. UTP0----S
WE RESERVE THE RIGHT TO CHANGE DIMENSIONS OR REQUIREMENTS WITHOUT PRIOR NOTICE.	PROD. MGR.			<p>SOURIAU Route Nationale 23 72470 CHAMPAGNE</p>
ALL DIMENSIONS IN MM	PR.ENG. MGR.			
	PR.MGT. MGR.			REFERENCES / REFERENTIES

A , 201766 , 002 , 02