

Excellent Integrated System Limited

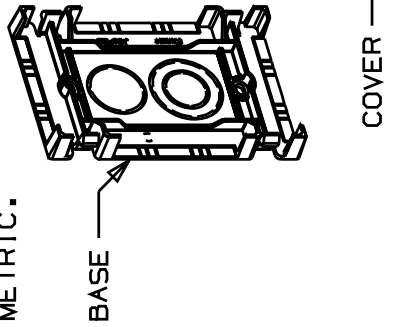
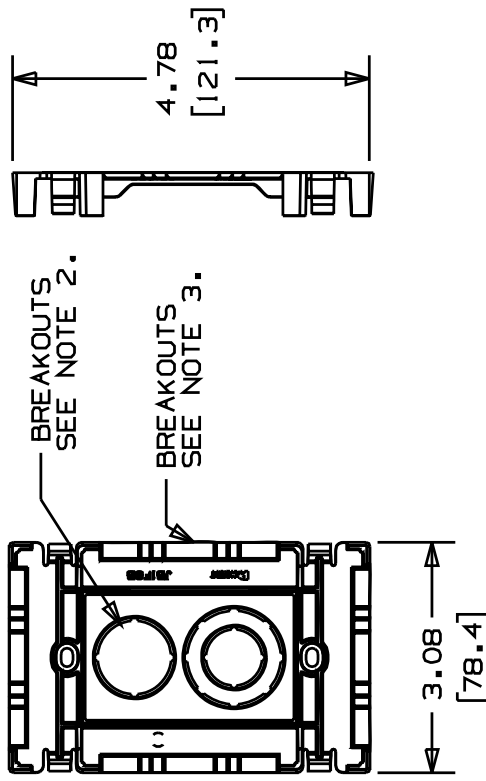
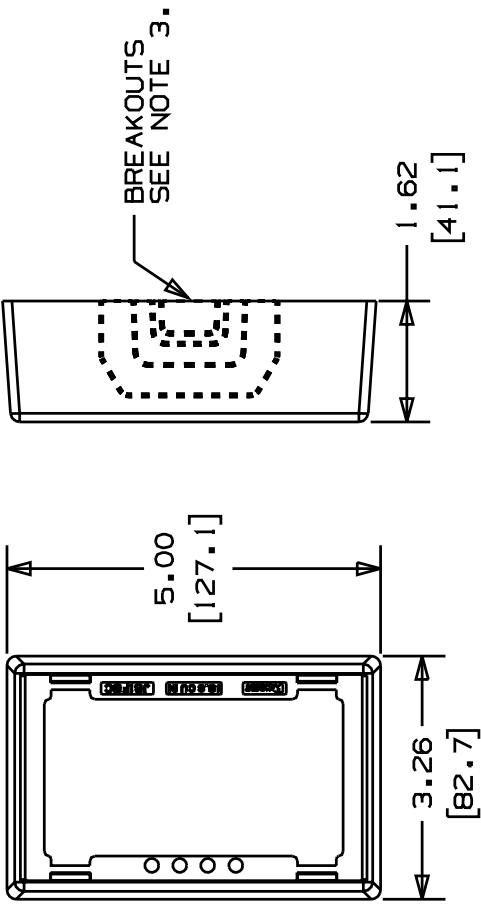
Stocking Distributor

Click to view price, real time Inventory, Delivery & Lifecycle Information:

[Panduit](#)
[JB1FSEI-A](#)

For any questions, you can email us directly:
sales@integrated-circuit.com

THIS COPY IS PROVIDED ON A RESTRICTED BASIS AND IS NOT TO BE USED IN ANY WAY DETRIMENTAL TO THE INTERESTS OF PANDUIT CORP.



PANDUIT P/N	WEIGHT
JB1F5	1.9 LB/10 PCS (885 g/10 PCS)

NOTES:

- SEE CURRENT CATALOG FOR ADDITIONAL PART SUFFIXES TO INDICATE COLOR AND OR PACKAGE QUANTITY.
- CONCENTRIC BREAKOUTS TO ACCOMMODATE CONDUIT SIZES OF 1/2", 3/4", AND 1" DIAMETERS.
- BREAKOUTS ARE PROVIDED FOR CD, PD, LD, LDP, LDS, AND T45 RACEWAYS.
- COVER IS EXTENDED OUT AND DOWN AROUND SIDES OF BASE WHEN ASSEMBLED.
- DIMENSIONS IN PARENTHESES ARE IN METRIC.

PANDUIT D37042BJ-DC--JB1F5-01A

PANDUIT
1 GANG SNAP-TOGETHER
JUNCTION BOX (JB1F5)
CUSTOMER DRAWING

UNLESS OTHERWISE SPECIFIED, DIMENSIONAL TOLERANCES ARE: (.X) ±.03(1.8) ANGLES ±		UNLESS OTHERWISE SPECIFIED, ALL DIMENSIONS ARE GIVEN IN INCHES, THIRD ANGLE PROJECTION.	
DRAWN BY	DW	MAT'L	NONE
DATE	3-5-99		
CHECKED BY	HIW		
		PVC	
DRAWING No.		37042-04	
SIZE		A	

REV	DATE	BY	CHK	ECN	CHK	CUST	SUP	DESCRIPTION
2	1/17/00	JHNU		37042-04				E: ADDED T45 TO NOTE 3 D: REVISED GEOMETRY FOR T45 BREAKOUT
---	---	---		---				C: PART WEIGHT WAS 1.9LB(883g)
1	5/20/99	DW	HIW	37042-04	HIW	HIW		B: FILE NAME WAS D37042BJ-DC--JB1F5.00. A: PART NUMBER WAS JB1F5.
R	3-5-99	DW	HIW	37042-04	HIW	HIW		RELEASED TO PRODUCTION.