

## Excellent Integrated System Limited

Stocking Distributor

Click to view price, real time Inventory, Delivery & Lifecycle Information:

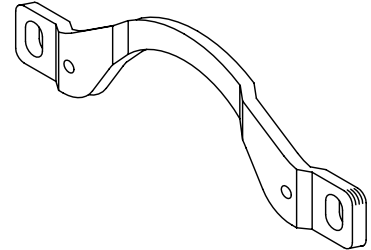
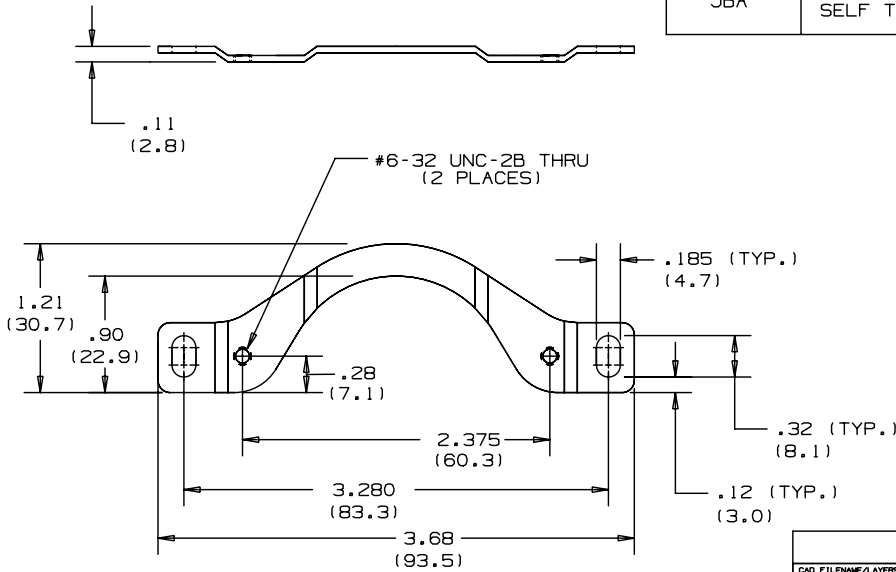
[Panduit](#)  
[JBA-X](#)

For any questions, you can email us directly:  
[sales@integrated-circuit.com](mailto:sales@integrated-circuit.com)

THIS COPY IS PROVIDED ON A RESTRICTED BASIS AND IS NOT TO BE USED IN ANY WAY DETRIMENTAL TO THE INTERESTS OF PANDUIT CORP.

NOTES:  
 1. SEE CURRENT PRICE SHEET FOR PART NUMBER SUFFIX DESIGNATION FOR PACKAGE SIZE.

PANDUIT PART NUMBER	2 SCREW FASTENERS PROVIDED FOR MOUNTING JBA.	WEIGHT lb/100 pcs. (g/100 pcs.)
JBA	#6-32 x .88 LONG SELF TAPPING F.H.M.S.	1.76 (800)



WPUS-JBADAPTER	
CAD FILENAME/LAYERS	
DIMENSTONS IN PARENTHESIS ARE METRIC	
<b>PANDUIT</b> CORP. TINLEY PARK, ILLINOIS	
JUNCTION BOX ADAPTER (JBA)	
UNLESS OTHERWISE SPECIFIED, DIMENSIONAL TOLERANCES ARE: (.X) ± (.XXX) ± .01(.2) (.XX) ± .03(.8) ANGLES ±	UNLESS OTHERWISE SPECIFIED, ALL DIMENSIONS ARE GIVEN IN INCHES, THIRD ANGLE PROJECTION.
DRAWN BY: LDB DATE: 7-23-86 CHK'D: WJB	MAT'L: 20 GAGE (.040") GALVANIZED STEEL
SCALE: FULL	DWG NO. 34018-8 DWG SIZE A

REV	DATE	BY	CHK	DESCRIPTION	ECN	R	CUST	SUP
R	7-23-86	LDB	WJB	RELEASED TO PRODUCTION	34018-8	R	WJB	