

Excellent Integrated System Limited

Stocking Distributor

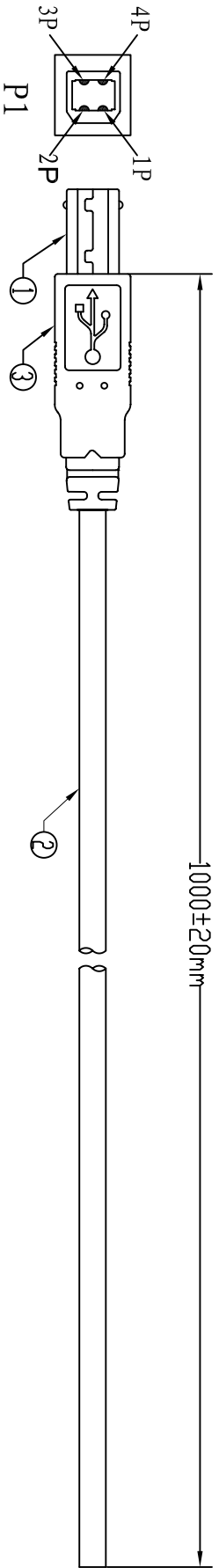
Click to view price, real time Inventory, Delivery & Lifecycle Information:

[CNC Tech](#)
[101-1043-BE-00100](#)

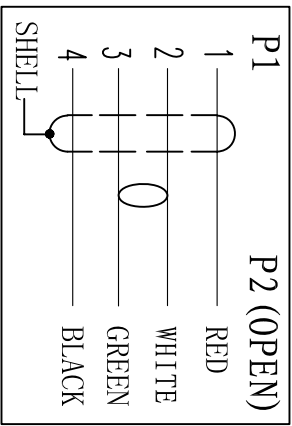
For any questions, you can email us directly:

sales@integrated-circuit.com

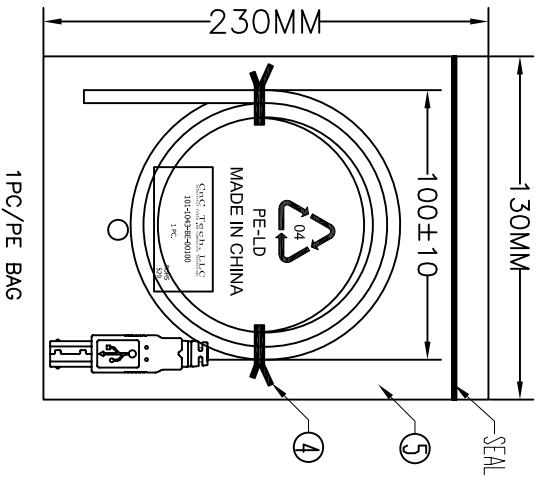
UNIT:mm



PIN ASSIGNMENT:



Electrical test:
 1. 100% short, open, miswire test
 2. Conduct resistance: 2 Ohm(max)
 3. Insulation resistance: 5Mohm(min)
 4. dielectric test: DC 300V



⑥	PE BAG	1/10	CLEAR SIZE:280*330*0.05mm	PRINT BLACK"MADE IN CHINA"+ "10PCS"印生产周期,有透气孔.
⑤	PE BAG	1	CLEAR SIZE:130*230*0.05mm	PRINT BLACK"MADE IN CHINA"+ "1PC"印生产周期,有透气孔.
④	TIE	2	WHITE L=100mm	
③	OUT JACKET	12g	BETGE (IV-29#) PVC-40P (MOULD NO:WM-65)	
②	CABLE	1	BETGE (IV-29#) USB1.1 UL2725 28#/1P+28#/2C+AB OD:4.7mm L=1000±10	
①	CONN	2set	USB B MALE SHELL:NICKEL PIN G/F 3PCS TYPE INSULATOR COLOR:WHITE	
NO.	NAME	Q'TY	SPECIFICATION	

CNC Tech, LLC
 Industrial Cable and Connector Technology

DRAWED	LI CHENG	DRAWING NO	
CHECKED		CUSTOMER	
APPROVAL		ITEM NO.	101-1043-BE-00100
DECIDED		DATE	2012-11-22
VERSIONS/EDITION	A/0	PROJECTION	