

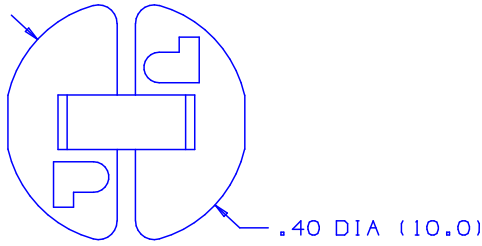
Excellent Integrated System Limited

Stocking Distributor

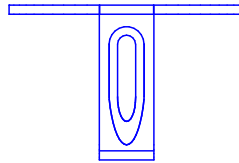
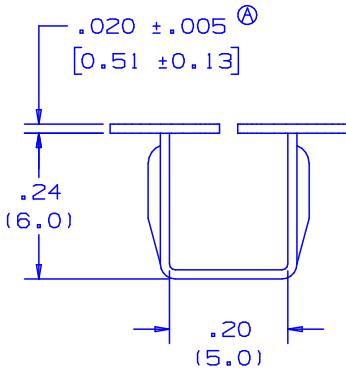
Click to view price, real time Inventory, Delivery & Lifecycle Information:

[Panduit](#)
[MBM-H25-Q](#)

For any questions, you can email us directly:
sales@integrated-circuit.com



- NOTES:
1. DIMENSIONAL TOLERANCES:
 .XX ±.02 (.5)
 .XXX ±.010 (.25)
 2. USE WITH STANDARD CROSS SECTION MLTs.
 3. DIMs IN () ARE mm.
 4. TO BE INSTALLED IN .25 (6.3) DIAMETER HOLE. USED ON PLATE THICKNESS OF .03 - .12 (.8 - 4.0)
 5. PACKAGE QTY: Q = 25



S41075_02

						<h1 style="margin: 0;">PANDUIT</h1> <p style="margin: 0; font-size: small;">CORP. TINLEY PARK, ILLINOIS</p>			
						<p style="margin: 0;">METAL PUSH BUTTON MOUNT MBM-H25</p>			
						UNLESS OTHERWISE SPECIFIED, DIMENSIONAL TOLERANCES ARE: (.X) ± (.XXX) ± (.XX) ± ANGLES ±		UNLESS OTHERWISE SPECIFIED, ALL DIMENSIONS ARE GIVEN IN INCHES, THIRD ANGLE PROJECTION.	
02	1/04	BRH		ⒶCHANGED DIM TO .020±.005, WAS .02	11472				
01	1/01	KMD	JAC	ADDED NOTE 5 CAD FILE SPEC WAS N41075SA_PCD_00	09010	JAC	CCH	DRAWN BY BJO	MAT'L: 304 STAINLESS STEEL
00	11/92	BO	JAC	RELEASED	01265	LA	GP	DATE 11/11/92	DRAWING NO. S41075
REV	DATE	BY	CHK	DESCRIPTION	ECN #	CUST	PM	CHK'D JAC	DWG A SIZE