

## Excellent Integrated System Limited

Stocking Distributor

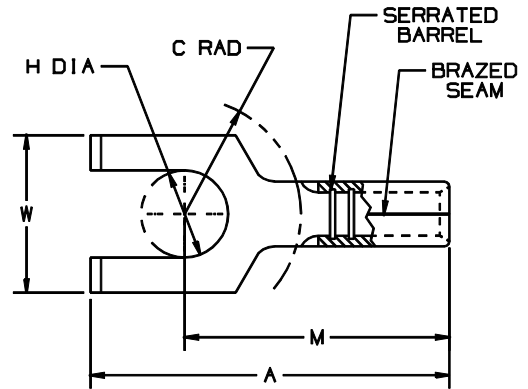
Click to view price, real time Inventory, Delivery & Lifecycle Information:

[Panduit](#)  
[P10-10FF-D](#)

For any questions, you can email us directly:  
[sales@integrated-circuit.com](mailto:sales@integrated-circuit.com)

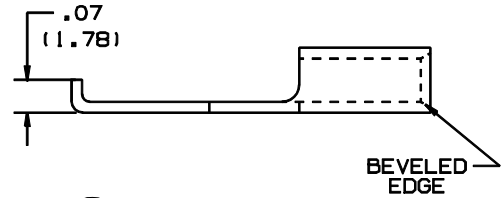
THIS COPY IS PROVIDED ON A RESTRICTED BASIS AND IS NOT TO BE USED IN ANY WAY DETRIMENTAL TO THE INTERESTS OF PANDUIT CORP.

PANDUIT PART NUMBER	STUD SIZE	DIMENSIONS in.				
		A $\pm .020$	W $\pm .010$	C $\pm .015$	M $\pm .020$	H $\pm .010$
P10-10FF	#10	.80 (20.32)	.38 (9.65)	.28 (7.11)	.55 (13.97)	.20 (5.08)



**NOTES:**

- UL LISTED AND CSA CERTIFIED FOR:
  - #12-10 AWG SOLID OR STRANDED COPPER WIRE
  - 347° F (175° C) MAX. TEMP. RATING
- MATERIAL:
  - STAMPING - .04" (1.12) THK COPPER, TIN PLATED
- PACKAGE QTY: STD. PKG. 50  
BULK PKG. 500
- DIMENSIONS IN BRACKETS ARE IN MILLIMETERS
- INSTALLATION TOOLS: CT-100, CT-160, CT-200



LISTED  
587H  
E52164



CERTIFIED  
LR31212

A41238\_04

						<b>PANDUIT</b> CORP.		TINLEY PARK, ILLINOIS			
04	2/01	KMD		DRAWING NUMBER WAS A41238A		#12-10 BARREL NON-INSULATED FLANGED FORK					
03	7-88	DW		REDRAWN WITH REVISIONS	07629						
REV	DATE	BY	CHK	DESCRIPTION	ECN	PM	APP	DRAWN BY DAW	CHK'D	SCALE NONE	DRAWING NO. A41238