

## Excellent Integrated System Limited

Stocking Distributor

Click to view price, real time Inventory, Delivery & Lifecycle Information:

[Ledi](#)

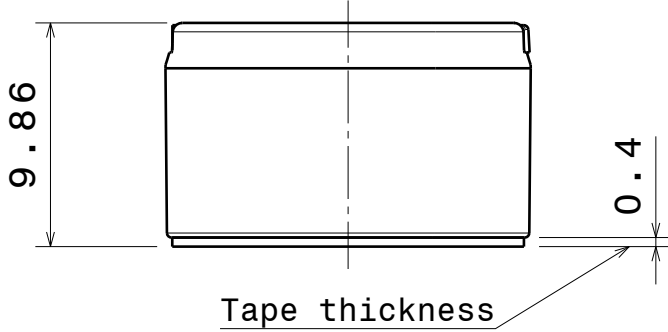
[FA13093\\_TINA-M2](#)

For any questions, you can email us directly:

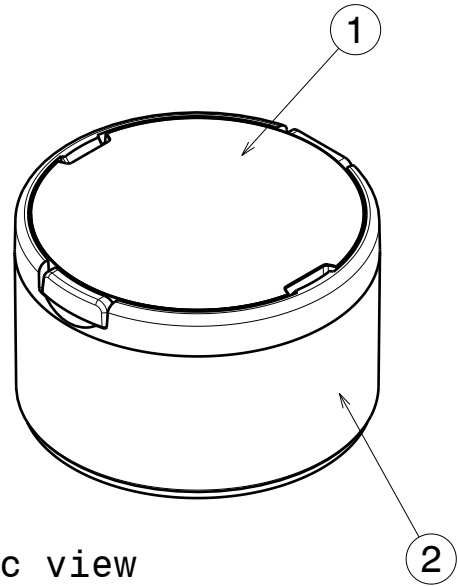
[sales@integrated-circuit.com](mailto:sales@integrated-circuit.com)

4

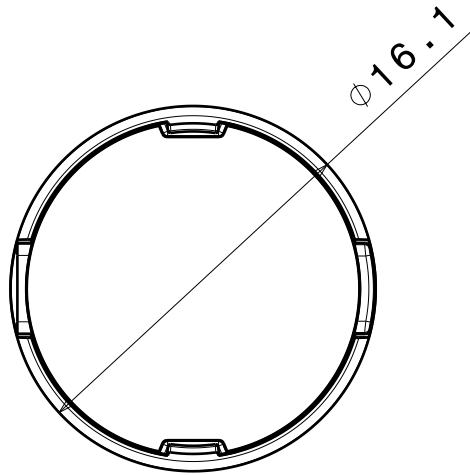
4



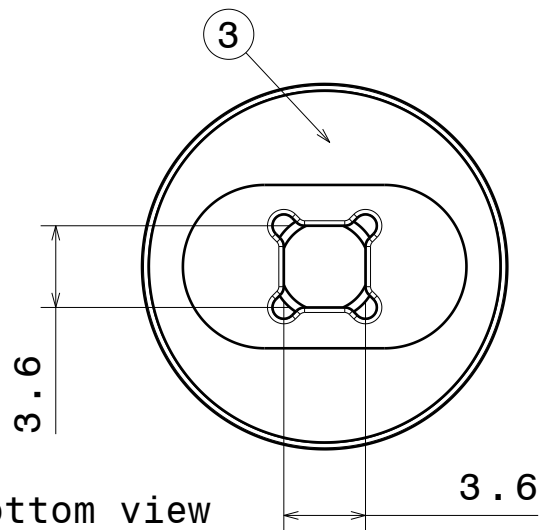
Front view



Isometric view



Top view



Bottom view

3

3

2

2

INDEX	PART NO	DESCRIPTION	MATERIAL	COLOUR
1	F12953	TINA-M2	PMMA	clear
2	F10637	TINA-XP-H-TAPE-WHT	PC	white
3	F11840	TINA-TAPE3	PU adhesive tape	black

Tolerances if not otherwise shown  
According to DIN ISO 2768-1  
Linear measures: class C  
According to DIN ISO 2768-2  
Form and position: class L

**LEDiL**

Ledil Oy  
Salorankatu 10  
FIN 24240 SALO  
Finland

THIRD ANGLE PROJECTION:



DRAWING TITLE

FA13093\_TINA-M2

This drawing is the property of LEDiL Oy. It may not be reproduced, copied or communicated without a written agreement with LEDiL Oy.

SIZE

PART NUMBER

A4

FA13093

1

1

SCALE 1:1

WEIGHT 2.7 g

SHEET 1/1