

Excellent Integrated System Limited

Stocking Distributor

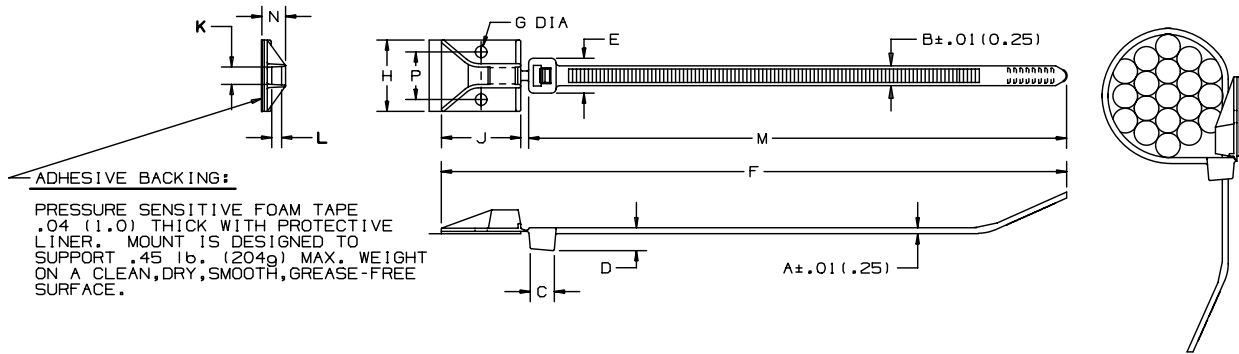
Click to view price, real time Inventory, Delivery & Lifecycle Information:

[Panduit](#)
[PLA2S-A-C](#)

For any questions, you can email us directly:

sales@integrated-circuit.com

THIS COPY IS PROVIDED ON A RESTRICTED BASIS AND IS NOT TO BE USED IN ANY WAY DETRIMENTAL TO THE INTERESTS OF PANDUIT CORP.



PANDUIT* PART NO.	BUNDLE DIA.		A	B	C	D	E	F	G	H	J	K	L	M	N	P	MIN. LOOP TENSILE	CROSS SECTION	WEIGHT
	MIN. (mm)	MAX. (mm)	(mm)	(mm)	(mm) (REF)	(mm) (REF)	(mm)	(mm) (REF)	(mm) (REF)	(mm)	(mm)	(mm) (REF)	(mm) (REF)	(mm) (REF)	(mm)	(mm) (REF)	lbs. (N)		lbs./100 pcs. (g)
PLA2S-A	0.25 (6.4)	1.85 (47.0)	0.052 (1.3)	0.190 (4.8)	0.258 (6.6)	0.220 (5.6)	0.316 (8.0)	8.5 (216)	0.148 (3.8)	0.90 (22.9)	1.00 (25.4)	.200 (5.1)	.134 (3.4)	7.4 (188)	0.300 (7.6)	0.600 (15.2)	50 (222)	STANDARD	0.53 (242)

NOTE:
1. SEE CURRENT PRICE SHEET FOR PART NUMBER SUFFIX DESIGNATIONS FOR PACKAGE SIZE.

TO APPLY MOUNTS:

- 1) REMOVE PROTECTIVE LINER FROM MOUNT.
- 2) PLACE IN DESIRED LOCATION.
- 3) APPLY PRESSURE TO TOP SURFACE OF MOUNT.

NO WARRANTY, EXPRESSED OR IMPLIED, IS MADE BY PANDUIT WITH RESPECT TO ADHESIVE BOND PERFORMANCE. AMONG OTHER THINGS, THE CONDITIONS UNDER WHICH THESE MOUNTS MAY BE APPLIED AND/OR THE SURFACE TO WHICH THEY MAY BE APPLIED ARE BEYOND PANDUIT'S CONTROL.

DIMENSIONS IN BRACKETS ARE METRIC [mm]

CD FILE#/LAYER: G00239EU_PB_PLA_03

PANDUIT CORP. TINLEY PARK, ILLINOIS

COMBINATION ADHESIVE MOUNT / TIE PLA SERIES

UNLESS OTHERWISE SPECIFIED, DIMENSIONAL TOLERANCES ARE:
(.X) ±0.05 (1.3) (.XXX) ±0.010 (0.25)
(.XX) ±0.02 (0.5) ANGLES ± 5°

UNLESS OTHERWISE SPECIFIED, ALL DIMENSIONS ARE GIVEN IN INCHES, THIRD ANGLE PROJECTION.

DRAWN BY: CGSM MAT'L: NYLON 6/6

DATE: 1/22/97

SCALE: NONE

DWGING NO.: GB0239EU

DWG SIZE: A

REV	DATE	BY	CHK	DESCRIPTION	ECN	R	CUST	SUP
3	4/26/04	JAD		ADD DIM K AND L	GB0239EU	3		