



Excellent Integrated System Limited

Stocking Distributor

Click to view price, real time Inventory, Delivery & Lifecycle Information:

[Visual Communications Company, LLC](#)

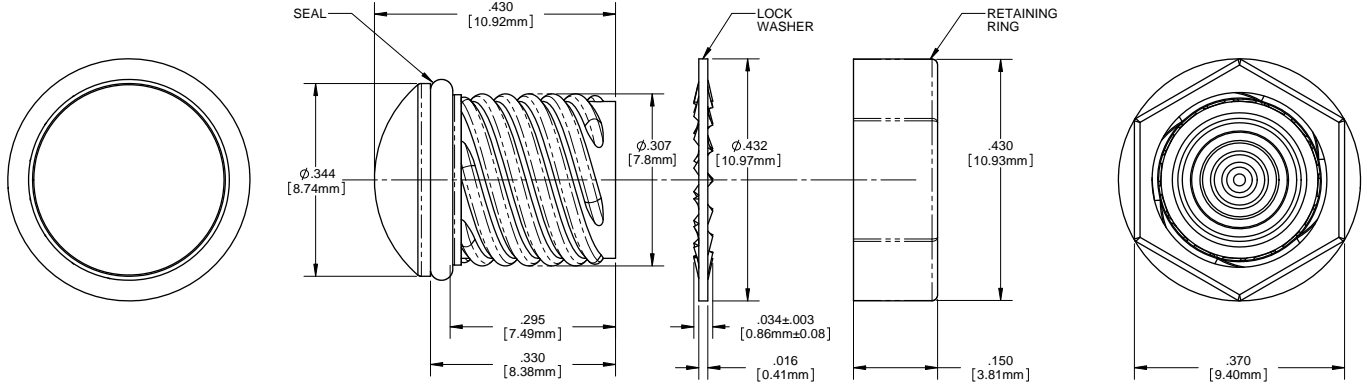
[CMS_442_BTP](#)

For any questions, you can email us directly:

sales@integrated-circuit.com

- NOTES:
1. MOUNTING: Mounts in a $\phi .312 \pm .002$ [$\phi 7.92\text{mm} \pm .05$] panel hole on .500 [12.7mm] centers. Panel thickness .031 [.8mm] to .125 [3.18mm]. Panel hole should be deburred, but not chamfered.
 2. ASSEMBLY: Insert lens through panel hole, slide lock washer onto lens barrel and twist on retaining ring. PCB mounted LEDs slide into lens when the panel cover is closed or the PCB card is inserted into the case.
 3. MATERIAL: Lens- Polycarbonate, UL 94-V2
 Lock Washer- FH Steel, Nickel plate
 Retaining ring - Thermoplastic, U.L. 94 V0 Rated
 Seal- EPDM
 4. U.S. & Foreign Pat. Issued & Pend.

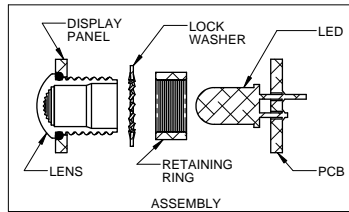
REV. NO.		DESCRIPTION	DATE	INITIALS
1	1	ADDED CMC 443 & CMS 444: UPDATE DRAWING FORMAT	12-5-08	JG
001		REVISED PER ECR111009AZ01	4-23-10	SMU



ORDERING CODE : **CMS 442 XXX**

MODEL

LENS COLOR	
RTP	RED TRANSPARENT
ATP	AMBER TRANSPARENT
GTP	GREEN TRANSPARENT
BTP	BLUE TRANSPARENT
YTP	YELLOW TRANSPARENT
CTP	CLEAR TRANSPARENT



<small>UNLESS OTHERWISE SPECIFIED DIMENSIONS ARE IN INCHES</small> ANGLES DECIMALS FINISH XXX ± .005 FINISH XXX ± .005 www.visualcs.com	MATERIAL SEE NOTES	VISUAL COMMUNICATIONS COMPANY, INC. 190 Bostwick Boulevard, Suite 101 San Marcos, CA 92069 USA Phone (760) 950-1300 Fax (760) 950-1301 email vccsales@vcc.com	
	FINISH SEE NOTES	TITLE: 5MM ROUND STANDARD THREADED FRESNEL LENS WITH SEAL	
THIRD ANGLE PROJECTION <small>FOR INFORMATION ONLY: THIS DRAWING IS NOT TO BE USED FOR MANUFACTURE OF THIS PRODUCT WITHOUT THE EXPRESS WRITTEN PERMISSION OF VISUAL COMMUNICATIONS COMPANY, INC.</small>	APPROVAL DATE DRAWN: SMU 4-23-10 CHECKED: DJ 4-23-10 DO NOT SCALE DRAWING	SIZE B CMS 442 XXX SCALE: 4:1	REV 001 SHEET 1 OF 1