

## **Excellent Integrated System Limited**

Stocking Distributor

Click to view price, real time Inventory, Delivery & Lifecycle Information:

[Panduit](#)

[PN10-610R-D](#)

For any questions, you can email us directly:

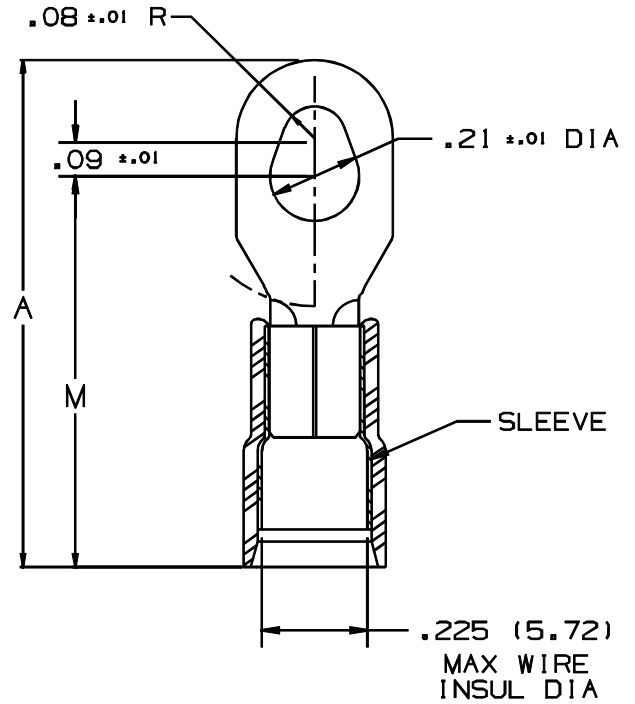
[sales@integrated-circuit.com](mailto:sales@integrated-circuit.com)

THIS COPY IS PROVIDED ON A RESTRICTED BASIS AND IS NOT TO BE USED IN ANY WAY DETRIMENTAL TO THE INTERESTS OF PANDUIT CORP.

PANDUIT PART NUMBER	STUD SIZE	DIMENSIONS in.			
		A $\pm .04$	W $\pm .01$	C $\pm .02$	M $\pm .04$
PN10-610R	#6, #8, #10	1.17 (29.7)	.37 (9.4)	.33 (8.38)	.87 (22.1)

**NOTES:**

- UL LISTED AND CSA CERTIFIED FOR:
  - 600V. MAX. BLDG WIRE (1000 V. MAX IN SIGNS, FIXTURES & LUMINAIRES),
  - #14-10 AWG SOLID OR STRANDED COPPER WIRE WITH THE CT-550, INSTALLATION TOOL.
  - #12-10 AWG SOLID OR STRANDED COPPER WIRE WITH THE CT-100 INSTALLATION TOOL.
  - #12 AWG SOL/STR OR #10 AWG STR COPPER WIRE WITH THE CT-1550 & CT-1551 INSTALLATION TOOLS.
  - 221°F (105°C) MAX TEMP. RATING
- MATERIAL:
  - STAMPING - .04" (1.02) THK COPPER, TIN PLATED
  - HOUSING - NYLON, YELLOW
  - SLEEVE - BRASS, TIN PLATED
- STRIP LENGTH - 9/32  $^{+1/32}_{-0}$
- PACKAGE QTY:
  - L=50
  - D=500
- DIMENSIONS IN BRACKETS ARE IN MILLIMETERS



A41589\_02

02	1/01	RM		FILESPEC WAS N41589AA_PCD_01						<b>PANDUIT</b> CORP. TINLEY PARK, ILLINOIS PN10-610R, NYLON INSULATED MULTI-STUD TERMINAL	
01	5/99	ED		UPDATED "A" & "M" DIM.S. AND MODIFIED DIMENSIONAL TOLERANCES	07667						
00	3/96	ED	RLS	RELEASED	04191	LA					
REV	DATE	BY	CHK	DESCRIPTION	ECN #	CUST	PM	DRAWN BY	CHK'D	SCALE	DRAWING NO.
								EJD	RLS	NONE	A41589