

Excellent Integrated System Limited

Stocking Distributor

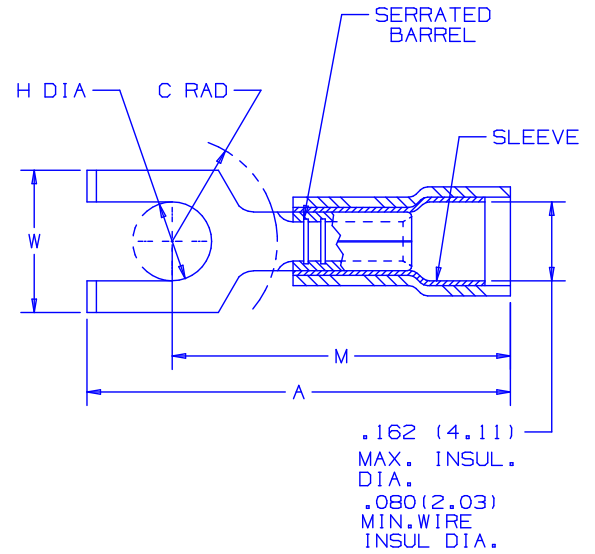
Click to view price, real time Inventory, Delivery & Lifecycle Information:

[Panduit](#)
[PN14-10FF-C](#)

For any questions, you can email us directly:
sales@integrated-circuit.com

THIS COPY IS PROVIDED ON A RESTRICTED BASIS AND IS NOT TO BE USED IN ANY WAY DETRIMENTAL TO THE INTERESTS OF PANDUIT CORP.

PANDUIT PART NUMBER	STUD SIZE	DIMENSIONS in.				
		A $\pm .03$	W $\pm .01$	C MIN	M $\pm .03$	H $\pm .005$
PN14-6FF	#6	.79 (20.1)	.28 (7.1)	.20 (5.1)	.63 (16.0)	.160 (4.06)
PN14-8FF	#8	.86 (21.8)	.31 (7.9)	.23 (5.8)	.67 (17.0)	.173 (4.39)
PN14-10FF	#10	.86 (21.8)	.36 (9.1)	.23 (5.8)	.67 (17.0)	.198 (5.03)



NOTES:

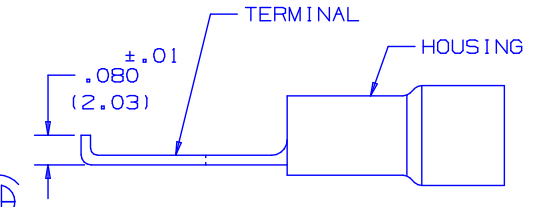
- UL LISTED AND CSA CERTIFIED FOR:
 - 600V. MAX. BLDG WIRE (1000 V. MAX IN SIGNS, FIXTURES & LUMINAIRES),
 - #18-14 AWG SOLID OR STRANDED COPPER WIRE WITH THE CT-550, CT-500, CT-1550, CT-1551, CT-460 (UL ONLY) AND CT-400 (UL ONLY) INSTALLATION TOOLS.
 - #16-14 AWG SOLID OR STRANDED COPPER WIRE WITH THE CT-100 AND CT-250 INSTALLATION TOOLS.
 - 221°F (105°C) MAX TEMP. RATING
- MATERIAL:
 - STAMPING - .032" (.81) THK COPPER, TIN PLATED
 - HOUSING - NYLON, BLUE
 - SLEEVE - BRASS, TIN PLATED
- STRIP LENGTH - 7/32 $^{+1/32}_0$
- PACKAGE QTY:
 - C=100
 - M=1000
- DIMENSIONS IN BRACKETS ARE IN MILLIMETERS



LISTED
587H
E52164



CERTIFIED
LR31212



A41240_08

08	11/01	SAB		THE TOLERANCE FOR DIMENSION H WAS $\pm .01$							
07	10/01	SAB	SKB	DIMENSION H FOR PN14-6FF WAS .15, (3.81)	09712	BAD	LA	PANDUIT CORP.	TINLEY PARK, ILLINOIS		
06	1/01	KMD	SKB	CAD FILE SPEC. WAS N41240AA_PCD_05	08938	CCH	JAC	#16-14 BARREL NYLON INSUL. FLANGED FORK, .162 (4.11) MAX. WIRE INSUL. DIA.			
05	12/96	JAMB		ADDED DIM., "MIN. WIRE INSUL. DIA." UPDATE NOTES	05381						
REV	DATE	BY	CHK	DESCRIPTION	ECN	PM	CUST	DRAWN BY DAW	CHK'D CH	SCALE NONE	DRAWING NO A41240