

## **Excellent Integrated System Limited**

Stocking Distributor

Click to view price, real time Inventory, Delivery & Lifecycle Information:

[Panduit](#)

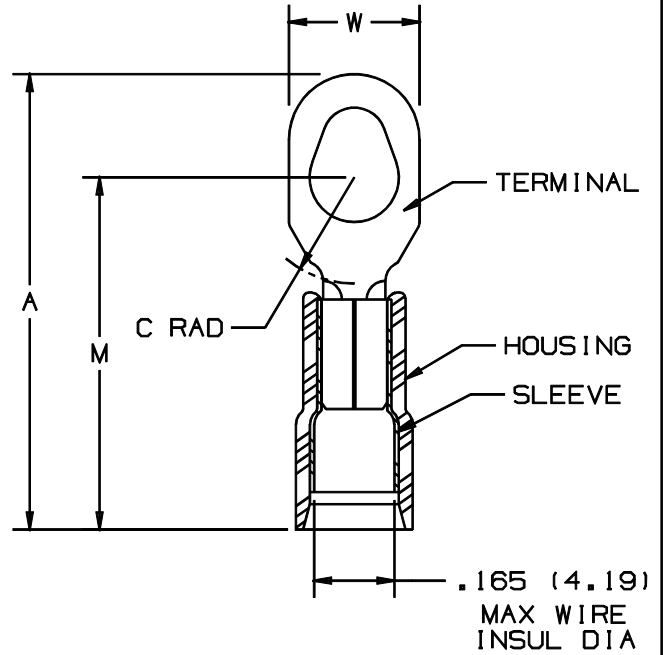
[PN14-610R-C](#)

For any questions, you can email us directly:

[sales@integrated-circuit.com](mailto:sales@integrated-circuit.com)

THIS COPY IS PROVIDED ON A RESTRICTED BASIS AND IS NOT TO BE USED IN ANY WAY DETRIMENTAL TO THE INTERESTS OF PANDUIT CORP.

PANDUIT PART NUMBER		STUD SIZE	DIMENSIONS in.			
PREFIX	PK		A $\pm .020$ (.51)	W $\pm .010$ (.25)	C $\pm .015$ (.38)	M $\pm .020$ (.51)
PN14-610R	-C -M	#6, #8, #10	.95 (24.1)	.31 (7.9)	.25 (6.3)	.70 (17.8)



**NOTES:**

- UL LISTED AND CSA CERTIFIED FOR:
  - 600 V MAX VOLTAGE RATING
  - 221°F (105°C) MAX TEMP RATING
  - #16-14 AWG SOLID OR STRANDED, COPPER WIRE
- PACKAGE QUANTITY:
  - STD: C=100
  - BULK: M=1000
- MATERIAL:
  - STAMPING: .032 (.81) THK COPPER, TIN PLATED
  - HOUSING: BLUE NYLON
  - SLEEVE: BRASS, TIN PLATED
- WIRE STRIP LENGTH:  $7/32 \pm 1/32$  (5.6  $\pm .8$ )  
-0 -0
- DIMENSIONS IN BRACKETS ARE IN MILLIMETERS
- INSTALLATION TOOLS:
  - UL LISTED AND CSA CERTIFIED WITH: CT-100, CT-400\*, CT-460\*, CT-500\*, CT-550\*
  - PANDUIT APPROVED: CT-160, CT-260
  - \* APPROVED FOR EXPANDED WIRE RANGE #18-14 AWG



LISTED  
587H



CERTIFIED

A41476\_02

										<b>PANDUIT</b> CORP.		TINLEY PARK, ILLINOIS							
02	1/01	RM		FILESPEC WAS NPC_A41476_01															
01	2/92	BK		UPDATED AGENCY APPROVAL STATUS						00846	#16-14 BARREL, NYLON INSULATED MULTI-STUD TERMINAL								
00	4/91	DL	DL	RELEASED ECN # 00460				LA	KS										
REV	DATE	BY	CHK	DESCRIPTION				QA	CUST	PM	ECN#	DRAWN BY	DRL	CHK'D	FES	SCALE	NONE	DRAWING NO.	A41476