

Excellent Integrated System Limited

Stocking Distributor

Click to view price, real time Inventory, Delivery & Lifecycle Information:

[Panduit](#)

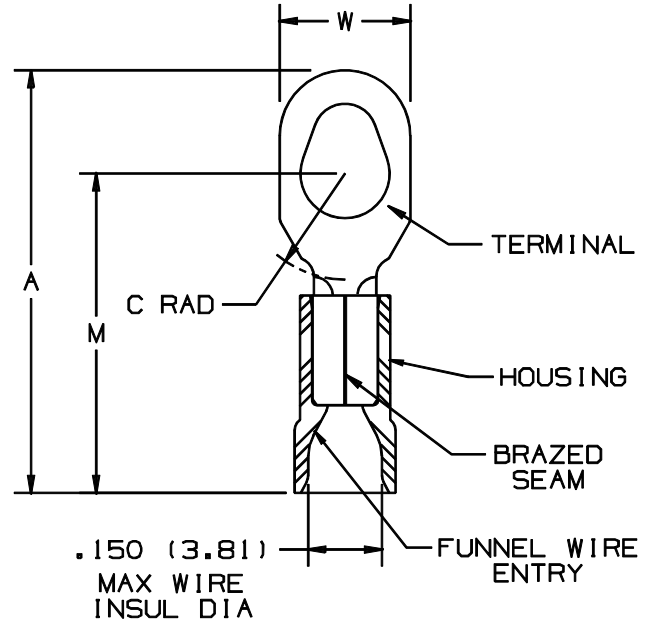
[PV18-610R-C](#)

For any questions, you can email us directly:

sales@integrated-circuit.com

THIS COPY IS PROVIDED ON A RESTRICTED BASIS AND IS NOT TO BE USED IN ANY WAY DETRIMENTAL TO THE INTERESTS OF PANDUIT CORP.

PANDUIT PART NUMBER		STUD SIZE	DIMENSIONS in.			
PREFIX	PK		A $\pm .020$ 1:511	W $\pm .010$ 1:251	C $\pm .015$ 1:381	M $\pm .020$ 1:511
PV18-610R	-C -M	#6, #8, #10	1.00 (25.4)	.31 (7.9)	.25 (6.3)	.75 (19.0)



NOTES:

- UL LISTED AND CSA CERTIFIED FOR:
 - A. 600 V MAX VOLTAGE RATING
 - B. 221°F (105°C) MAX TEMP RATING
 - C. 167°F (75°C) MAX TEMP RATING WITH CT-100 TOOL
 - D. #22-18 AWG SOLID OR STRANDED, COPPER WIRE
 - PACKAGE QUANTITY:
 - A. STD: C=100
 - B. BULK: M=1000
 - MATERIAL:
 - A. STAMPING: .032 (.81) THK COPPER, TIN PLATED
 - B. HOUSING: RED VINYL
 - WIRE STRIP LENGTH: $5/16 \begin{smallmatrix} +1/32 \\ -0 \end{smallmatrix}$ (7.9 $\begin{smallmatrix} +.8 \\ -0 \end{smallmatrix}$)
 - DIMENSIONS IN BRACKETS ARE IN MILLIMETERS
 - INSTALLATION TOOLS:
 - A. UL LISTED AND CSA CERTIFIED WITH: CT-100, CT-500*, CT-550*, CT-1551*, CT-1550*
 - B. PANDUIT APPROVED: CT-160, CT-260, CT-400
- * APPROVED FOR EXPANDED WIRE RANGE #22-16 AWG



LISTED
587H



CERTIFIED

A41486_03

03	1/01	RM		FILESPEC WAS N41486AA_PCD_02					TINLEY PARK, ILLINOIS					
02		JKD		ADDED CT-1551 & CT-1550 TOOL	07634									
01	2/92	BK	RLS	UPDATED AGENCY APPROVAL STATUS	00846	LCA	KRS	#22-18 BARREL, VINYL INSULATED MULTI-STUD TERMINAL						
00	4/91	DL	DL	RELEASED ECN # 00460		LA	KS							
REV	DATE	BY	CHK	DESCRIPTION	ECN	CUST	PM	DRAWN BY	DWG'D	FES	SCALE	NONE	DRAWING NO.	A41486