

Excellent Integrated System Limited

Stocking Distributor

Click to view price, real time Inventory, Delivery & Lifecycle Information:

[Panduit](#)
[T70FV2EI](#)

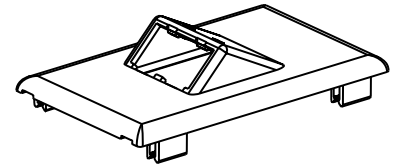
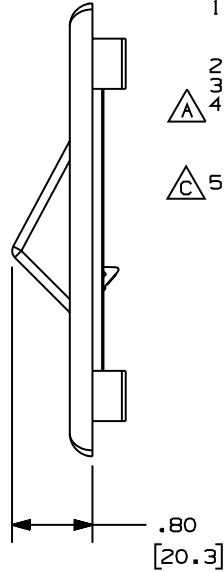
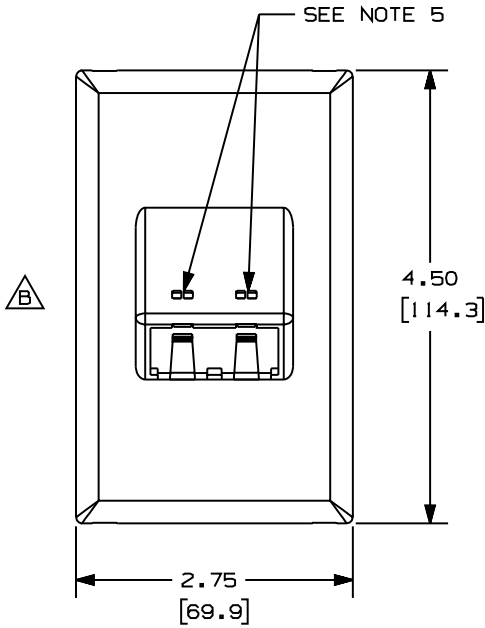
For any questions, you can email us directly:
sales@integrated-circuit.com

THIS COPY IS PROVIDED ON A RESTRICTED BASIS AND IS NOT TO BE USED IN ANY WAY DETRIMENTAL TO THE INTERESTS OF PANDUIT CORP.

PANDUIT P/N	WEIGHT
T70FV2	.77 LB/10 PCS (350 g/10 PCS)

NOTES:

1. SEE CURRENT CATALOG FOR ADDITIONAL PART SUFFIXES TO INDICATE COLOR AND OR PACKAGE QUANTITY.
2. THE T70FV2 ACCEPTS TWO (2) MINI-COM MODULES.
3. DIMENSIONS IN PARENTHESIS ARE IN METRIC.
4. THE T70FV2 FACEPLATE CAN BE USED WITH PANDUIT SURFACE RACEWAY SYSTEMS AND BOXES THAT ACCEPT 70mm SNAP-ON FACEPLATES (INCLUDES: T-70, TWIN-70, TE70, TG-70, ETC.)
5. PANDUIT PART NUMBERS CIP••C AND CID••C TO BE USED WITH ICON POCKETS.



CAD FILENAME/LAYERS		D37245BE_DC_T70PB1_00C.prt	
PANDUIT			
CORP. TINLEY PARK, ILLINOIS			
TWO MINI-COM MODULE VERTICAL SLOPED SNAP-ON FACEPLATE (T70FV2) CUSTOMER DRAWING			
UNLESS OTHERWISE SPECIFIED, DIMENSIONAL TOLERANCES ARE:		UNLESS OTHERWISE SPECIFIED, ALL DIMENSIONS ARE GIVEN IN INCHES, THIRD ANGLE PROJECTION.	
(.X) ± .010 (.XX) ± .005 (.XXX) ± .002		ANGLES ± .031	
REV	DATE	BY	CHK
2	4-14-00	MSO	HIW
1	3/2/00	JHNU	HIW
R	9/7/99	DW	CEO
REV	DATE	BY	CHK
DESCRIPTION	ECN	R	CUST SUP
S. ADDED NOTE 5. B. REVISED GEOMETRY TO INCLUDE ICON POCKETS.		37245-05	HIW HIW
A. ADDED NOTE 4		37245-05	HIW HIW
RELEASED TO PRODUCTION		37245-05	HIW HIW
DRAWN BY		DW	MAT'L:
DATE		8/11/99	PVC
CHK'D		HIW	SCALE
			NONE
			DRAWING NO.
			37245-05
			DWG SIZE
			A