

Excellent Integrated System Limited

Stocking Distributor

Click to view price, real time Inventory, Delivery & Lifecycle Information:

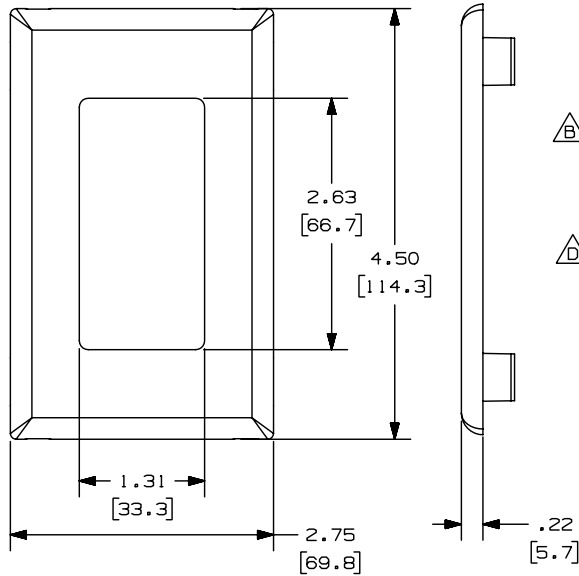
[Panduit](#)
[T70PGEI](#)

For any questions, you can email us directly:

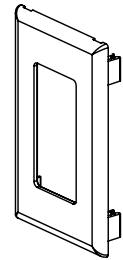
sales@integrated-circuit.com

THIS COPY IS PROVIDED ON A RESTRICTED BASIS AND IS NOT TO BE USED IN ANY WAY DETRIMENTAL TO THE INTERESTS OF PANDUIT CORP.

PANDUIT P/N	WEIGHT
T70PG	.049 LB (22.1 g)
OF70PG	



- NOTES:
- SEE CURRENT CATALOG FOR ADDITIONAL PART SUFFIXES TO INDICATE COLOR AND/OR PACKAGE QUANTITY.
 - THE T70PG FACEPLATE CAN BE USED WITH PANDUIT SURFACE RACEWAY SYSTEMS AND BOXES THAT ACCEPT 70mm SNAP-ON FACEPLATES (INCLUDES: T-70, TWIN-70, TE70, TG-70, ETC)
 - THIS PRODUCT ACCOMMODATES GFCI AND RECTANGULAR RECEPTACLES.
 - DIMENSIONS IN PARENTHESES ARE IN METRIC.
 - THE OF70PG FACEPLATE CAN BE USED WITH PANDUIT OFFICE FURNITURE CORNER RACEWAY (OFCR70) AND DESK MOUNT BOX (OFR20DMB).



CAD FILENAME/LAYERS D36572BN_DC_T70PG_02A.prt

REV	DATE	BY	CHK	DESCRIPTION	ECN	CHK	CUST	SUP																														
-	-----	---	--	E. REVISED PART WEIGHT: WAS PER 10 PCS	-----	----	----																															
3	06-11-04	JBN	PM	D. ADDED NOTE #5 C. ADDED PART NUMBER OF70PG	36572-14	RGRO	RGRO																															
2	03-13-00	JHNU	HIW	B. REV'D NOTE 2: ADDED TG-70	36572-14	HIW	HIW																															
1	06-30-99	DW	HIW	A. REVISED TITLE NAME.	36572-14	HIW	HIW																															
R	02-16-98	DW	HIW	RELEASED TO PRODUCTION.	36572-14	HIW	HIW																															
<table border="1" style="width:100%; border-collapse: collapse;"> <tr> <td colspan="4" style="text-align: center;">PANDUIT</td> <td colspan="2" style="text-align: right;">CORP. TINLEY PARK, ILLINOIS</td> </tr> <tr> <td colspan="6" style="text-align: center;">T-70 SNAP-ON CLASSIC SERIES GFCI FACEPLATE (T70PG & OF70PG) CUSTOMER DRAWING</td> </tr> <tr> <td colspan="3">UNLESS OTHERWISE SPECIFIED, DIMENSIONAL TOLERANCES ARE: (.X) ± (.XXX) ± (.XX) ±.03(.8) ANGLES ±</td> <td colspan="3">UNLESS OTHERWISE SPECIFIED, ALL DIMENSIONS ARE GIVEN IN INCHES, THIRD ANGLE PROJECTION.</td> </tr> <tr> <td>DRAWN BY DW</td> <td>MAT'L: PVC</td> <td colspan="2">SCALE NONE</td> <td>DWG NO. 36572-14</td> <td>DWG SIZE A</td> </tr> <tr> <td>DATE 02-16-98</td> <td>CHECKED BY HIW</td> <td colspan="2"></td> <td></td> <td></td> </tr> </table>									PANDUIT				CORP. TINLEY PARK, ILLINOIS		T-70 SNAP-ON CLASSIC SERIES GFCI FACEPLATE (T70PG & OF70PG) CUSTOMER DRAWING						UNLESS OTHERWISE SPECIFIED, DIMENSIONAL TOLERANCES ARE: (.X) ± (.XXX) ± (.XX) ±.03(.8) ANGLES ±			UNLESS OTHERWISE SPECIFIED, ALL DIMENSIONS ARE GIVEN IN INCHES, THIRD ANGLE PROJECTION.			DRAWN BY DW	MAT'L: PVC	SCALE NONE		DWG NO. 36572-14	DWG SIZE A	DATE 02-16-98	CHECKED BY HIW				
PANDUIT				CORP. TINLEY PARK, ILLINOIS																																		
T-70 SNAP-ON CLASSIC SERIES GFCI FACEPLATE (T70PG & OF70PG) CUSTOMER DRAWING																																						
UNLESS OTHERWISE SPECIFIED, DIMENSIONAL TOLERANCES ARE: (.X) ± (.XXX) ± (.XX) ±.03(.8) ANGLES ±			UNLESS OTHERWISE SPECIFIED, ALL DIMENSIONS ARE GIVEN IN INCHES, THIRD ANGLE PROJECTION.																																			
DRAWN BY DW	MAT'L: PVC	SCALE NONE		DWG NO. 36572-14	DWG SIZE A																																	
DATE 02-16-98	CHECKED BY HIW																																					