

Excellent Integrated System Limited

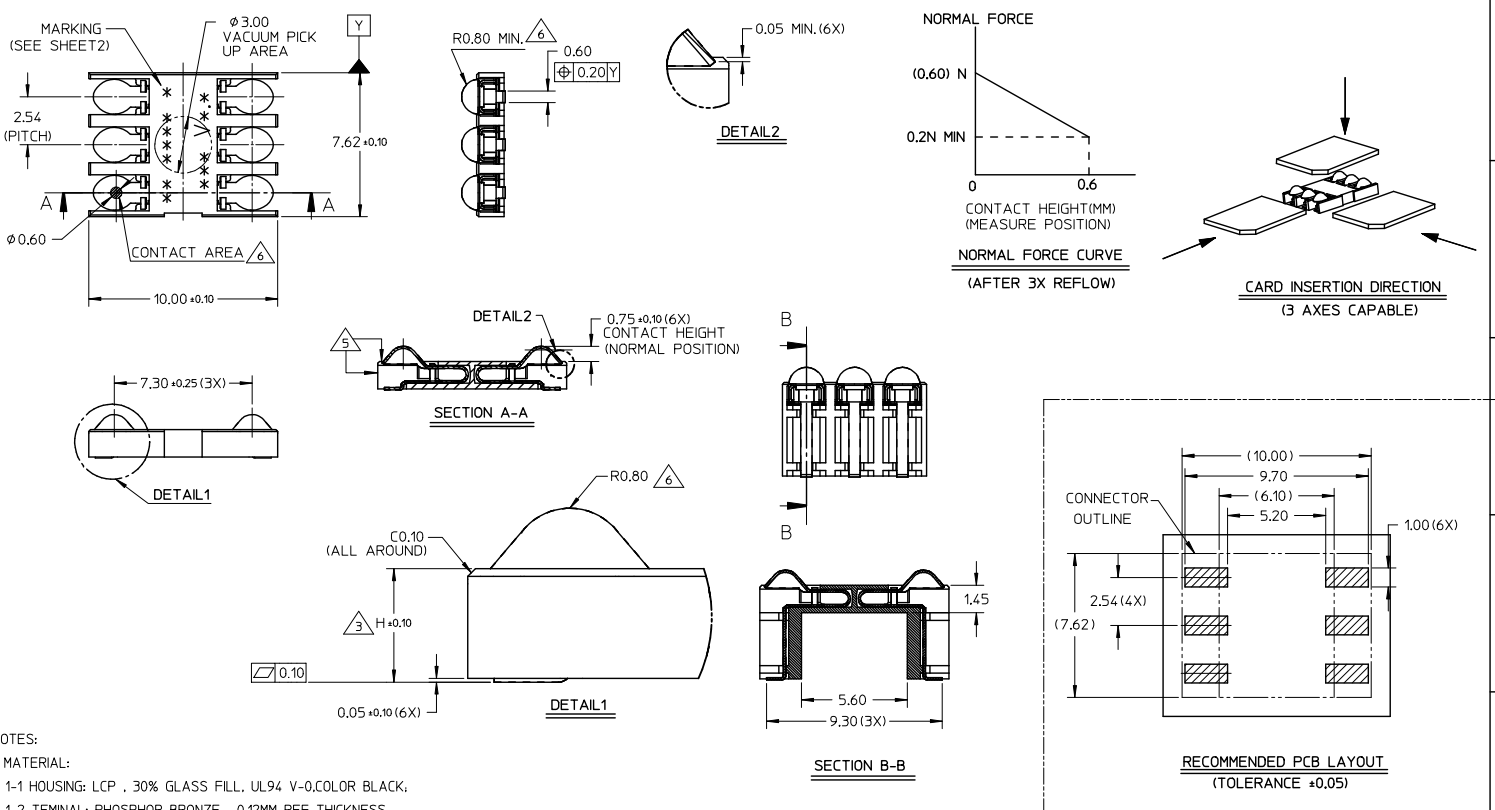
Stocking Distributor

Click to view price, real time Inventory, Delivery & Lifecycle Information:

[Molex Connector Corporation](#)
[0470191501](#)

For any questions, you can email us directly:
sales@integrated-circuit.com

10 9 8 7 6 5 4 3 2 1

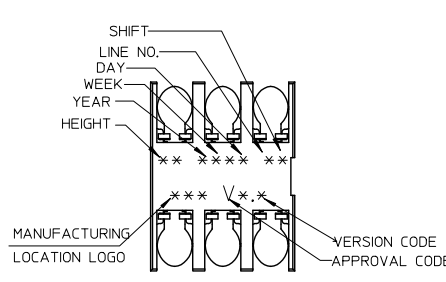


- NOTES:**
- MATERIAL:**
 - 1-1 HOUSING: LCP . 30% GLASS FILL, UL94 V-0.COLOR BLACK;
 - 1-2 TERMINAL: PHOSPHOR BRONZE . 0.12MM REF THICKNESS;
 - TERMINAL PLATING:**
 - 2-1 SIM SIDE (CONTACT AREA) : 0.8 MICROMETER MIN GOLD;
 - 2-2 SOLDER TAIL: GOLD FLASH 0.05 MICROMETER MIN;
 - 2-3 UNDERPLATING: 2 MICROMETER NICKEL OVERALL;
 - Δ H DIMENSION MINIMUM = 1.50MM, MAXIMUM = 5.00MM(SEE CHART ON SHEET 2);
 - NO SHARP EDGES INTERFACING WITH THE PCB OR SIM CARD;
 - Δ CONTACT MUST NOT EXTENDED BEYOND HOUSING EDGE DURING DEFLECTION AND MUST LOWER THAN HOUSING LEVEL AFTER 3 TIMES REFLOW;
 - Δ MAINTAIN IN CONTACT AREA.

NEW RELEASED EC. NO: S2015-0431 DRAWN: HTGU002 CHKD: JZENG APPR: KHLIM 2014/11/07 2014/11/10 2014/11/21	DESCRIPTION A	QUALITY SYMBOLS $\nabla=0$ $\nabla=0$ $\nabla=0$	GENERAL TOLERANCES (UNLESS SPECIFIED) 4 PLACES \pm --- \pm --- 3 PLACES \pm --- \pm --- 2 PLACES ± 0.10 \pm --- 1 PLACE ± 0.20 \pm --- 0 PLACE \pm --- \pm --- ANGULAR $\pm 2^\circ$ DRAFT WHERE APPLICABLE MUST REMAIN WITHIN DIMENSIONS	DIMENSION STYLE MM ONLY DRAWN BY DATE HTGU002 2014/11/07 CHECKED BY DATE JZENG 2014/11/10 APPROVED BY DATE KHLIM 2014/11/21	SCALE NTS DESIGN UNITS METRIC THIRD ANGLE PROJECTION	TITLE 6 CKT SCALABLE SIM CONNECTOR	MATERIAL NO. SEE TABLE	DOCUMENT NO. SD-47019-003	SHEET NO. 1 OF 2	
		THIS DRAWING CONTAINS INFORMATION THAT IS PROPRIETARY TO MOLEX INCORPORATED AND SHOULD NOT BE USED WITHOUT WRITTEN PERMISSION								
		molex								
		SD-47019-003								

9 8 7 6 5 4 3 2 1

PART NUMBER	DIM H	STATUS
470191501	1.5	Available
470191601	1.6	Only proposal
470191701	1.7	Available
470191801	1.8	Available
470191901	1.9	Only proposal
470192001	2.0	Available
470192101	2.1	Only proposal
470192201	2.2	Only proposal
470192301	2.3	Only proposal
470192401	2.4	Available
470192501	2.5	Only proposal
470192601	2.6	Only proposal
470192701	2.7	Only proposal
470192801	2.8	Only proposal
470192901	2.9	Only proposal
470193001	3.0	Only proposal
470193101	3.1	Only proposal
470193201	3.2	Only proposal
470193301	3.3	Only proposal
470193401	3.4	Only proposal
470193501	3.5	Only proposal
470193601	3.6	Only proposal
470193701	3.7	Only proposal
470193801	3.8	Only proposal
470193901	3.9	Only proposal
470194001	4.0	Only proposal
470194101	4.1	Only proposal
470194201	4.2	Only proposal
470194301	4.3	Only proposal
470194401	4.4	Only proposal
470194501	4.5	Only proposal
470194601	4.6	Only proposal
470194701	4.7	Only proposal
470194801	4.8	Only proposal
470194901	4.9	Only proposal
470195001	5.0	Only proposal



LOGO	MANUFACTURING LOCATION
MSH	Molex ShangHai
MCH	Molex DongGuan
MIN	Molex India
MCD	Molex ChengDu

HEIGHT	YEAR	WEEK	DAY	LINE NO.	SHIFT	MANUFACTURING LOCATION LOGO	APPROVAL	VERSION CODE
15--50	0--9	01--52	1--7	1--	A, B, C	SEE TABLE	V-PRE-APPROVAL A-MASS APPROVAL	2.2
e.g. 20	e.g. 0-2010	e.g. 13	e.g. 1	e.g. 2	e.g. A		V	2.2

PRODUCTION TOOL PART--BLACK INK

REV	DESCRIPTION
A	NEW RELEASED EC No: S2015-0431 DRAWN: HTG002 2014/11/07 CHKD: JZENG 2014/11/10 APPR: KHLIM 2014/11/21

QUALITY SYMBOLS	GENERAL TOLERANCES (UNLESS SPECIFIED)		DIMENSION STYLE		SCALE NTS	DESIGN UNITS METRIC	THIRD ANGLE PROJECTION
	mm	INCH	MM ONLY	DATE			
$\nabla=0$	4 PLACES ±---	±---	DRAWN BY	DATE	TITLE	6 CKT SCALABLE SIM CONNECTOR	
$\nabla=0$	3 PLACES ±---	±---	CHECKED BY	DATE			
$\nabla=0$	2 PLACES ±0.10	±---	APPROVED BY	DATE			
	1 PLACE ±0.20	±---	MATERIAL NO.	DATE	DOCUMENT NO.	SD-47019-003	SHEET NO.
	0 PLACE ±---	±---	SEE TABLE				2 OF 2
DRAFT WHERE APPLICABLE MUST REMAIN WITHIN DIMENSIONS							
THIS DRAWING CONTAINS INFORMATION THAT IS PROPRIETARY TO MOLEX INCORPORATED AND SHOULD NOT BE USED WITHOUT WRITTEN PERMISSION							