

Excellent Integrated System Limited

Stocking Distributor

Click to view price, real time Inventory, Delivery & Lifecycle Information:

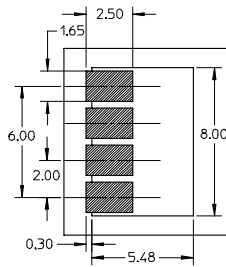
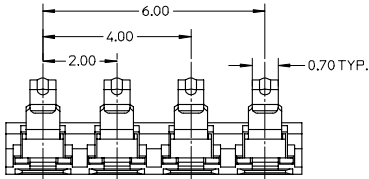
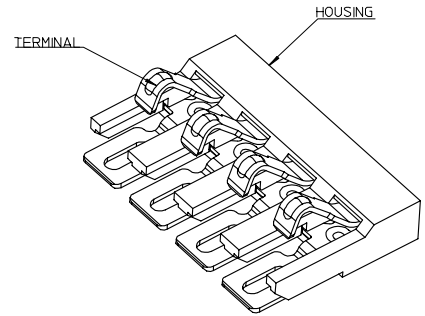
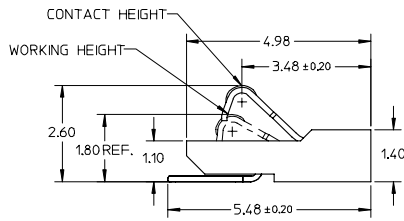
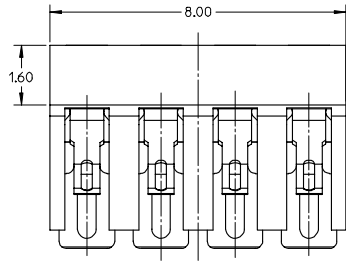
[Molex Connector Corporation](#)
[0474200001](#)

For any questions, you can email us directly:
sales@integrated-circuit.com

10 9 8 7 6 5 4 3 2 1

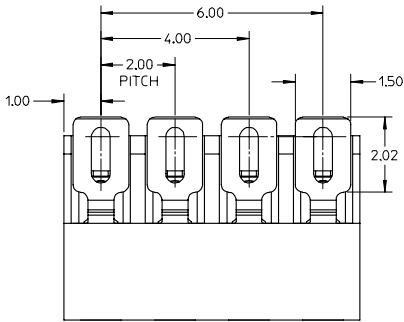
F
E
D
C
B
A

F
E
D
C
B
A



RECOMMENDED PCB LAYOUT TOLERANCE: ± 0.05

- NOTE:
- 1.MATERIAL:
HOUSING: HIGH TEMPERATURE THERMOPLASTIC,COLOR:BLACK
TERMINAL: BeCu-TM04,THICKNESS:0.15mm
 - 2.FINISH:
CONTACT AREA: 0.75 MICRON GOLD MIN OVER 1.25 MICRON NICKEL MIN.
SOLDER AREA: GOLD FLASH (0.075~0.125 MICRON) OVER 1.25 MICRON NICKEL MIN.
REST AREA: 1.25 MICRON NICKEL MIN.
 - 3.COPLANARITY: 0.08 MAX AMONG THESE SOLDER TAILS.
 - 4.PRODUCT SPECIFICATION: PS-47420-001
 - 5.WORKING RANGE: 1.55 - 1.95MM COUNTED FROM TOP OF PCB
 - 6.NORMAL FORCE AT 0.8 DEFLECTION IS 110+/-25 GRAMS.



NEW RELEASE EC NO: SH2007-0482 DRAWN: LSHEN 2007/01/18 CHKD: XU XIANG 2007/01/19 APPR: JINCHEN 2007/01/19	QUALITY SYMBOLS ▽=0 ▽=0	GENERAL TOLERANCES (UNLESS SPECIFIED)		DIMENSION STYLE MM ONLY		SCALE 5:1	DESIGN UNITS METRIC	THIRD ANGLE PROJECTION	
		4 PLACES ± --- ± ---	3 PLACES ± --- ± ---	DRAWN BY LSHEN	DATE 2006/02/21	TITLE 2.0MM PITCH 4 CIRCUITS 0.7MM CONTACT WIDTH BATTERY CONNECTOR			
		2 PLACES ± 0.15 ± ---	1 PLACE ± 0.15 ± ---	CHECKED BY	DATE	MOLEX INCORPORATED			
		ANGULAR ± 2 °		APPROVED BY		DATE	MATERIAL NO. 474200001		
DRAFT WHERE APPLICABLE MUST REMAIN WITHIN DIMENSIONS		SIZE A3		DOCUMENT NO. SD-47420-001		SHEET NO. 1 OF 1			

9 8 7 6 5 4 3 2 1