

Excellent Integrated System Limited

Stocking Distributor

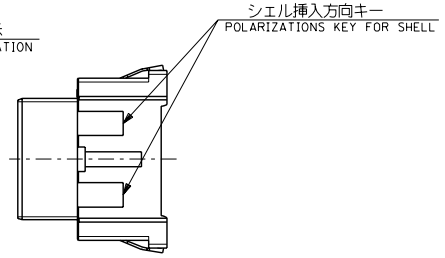
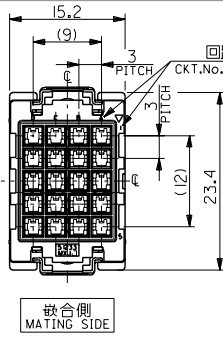
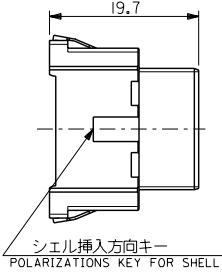
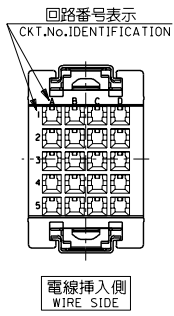
Click to view price, real time Inventory, Delivery & Lifecycle Information:

[Molex Connector Corporation](#)
[0512332012](#)

For any questions, you can email us directly:

sales@integrated-circuit.com

DWG. NO. SD-51233-008



注記
NOTES

- 材質
MATERIAL
①ハウジング: ガラス入りPBT樹脂
HOUSING: PBT G.F.
UL94V-0 色: 黒
UL94V-0 COLOR: BLACK
- ②スプリング: ステンレス鋼 t0.3
SPRING: STAINLESS STEEL 10.3
- 適用端子: 56116-8*90, 56117-8*90, 56118-8*90, 56119-8*90
APPLICABLE CRIMP PIN: 56116-8*90, 56117-8*90, 56118-8*90, 56119-8*90
- 適用リセプタクル シェル: 56377-20**
APPLICABLE RECEPTACLE SHELL: 56377-20**
- 嵌合相手: 51239-200*
MEET WITH: 51239-200*

<誤嵌合防止キー(極性)タイプ> <POLARITY KEY TYPE>

51233-2011	51233-2012	51233-2013	51233-2014	51233-2015
STANDARD TYPE	A TYPE	B TYPE	C TYPE	D TYPE

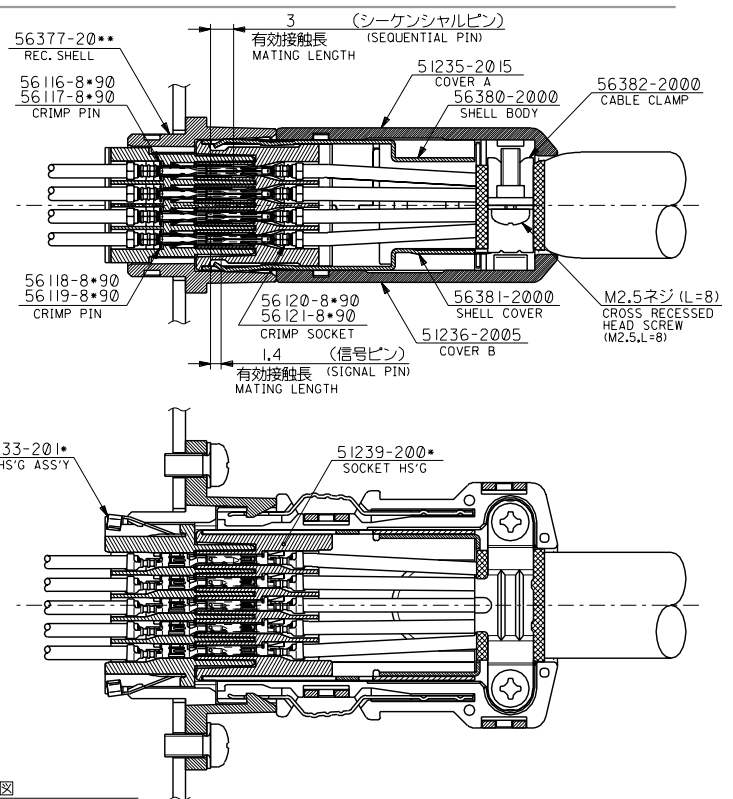
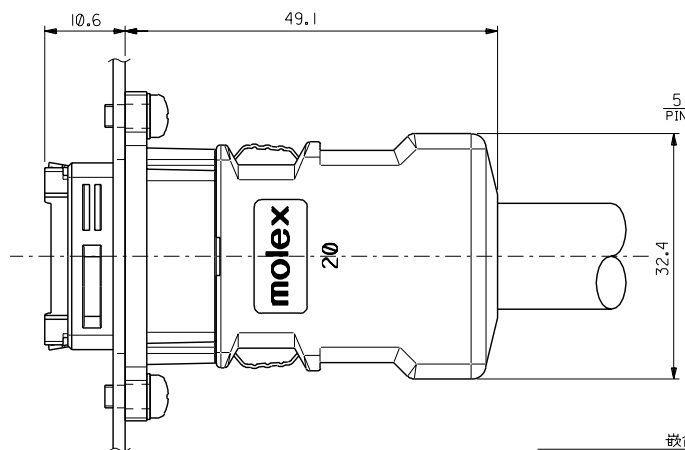
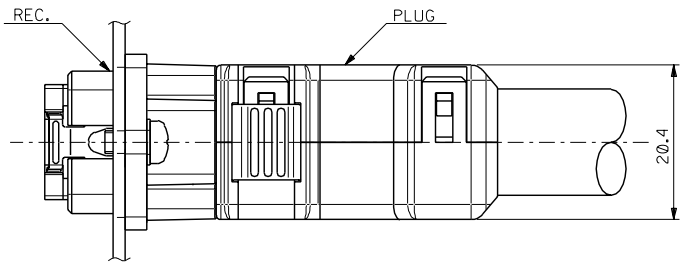
C-4	D	51233-2015	51233-***1*	20
C-3	C	51233-2014		
B-3	B	51233-2013		
B-2	A	51233-2012		
—#—	STANDARD	51233-2011		
POLARITY POSITION (CIRCUIT No.)	POLARITY TYPE	MATERIAL No.	MODEL No.	CIRCUIT

DO NOT SCALE DRAWING

EC NO. DRWN: CHK: APPR:	EC NO. DRWN: CHK: APPR:	EC NO. DRWN: CHK: APPR:	REVISED 01/10/04	MATERIAL 材料	GENERAL TOLERANCES: (UNLESS SPECIFIED) 一般公差	SCALE 2-1	DESIGN UNITS <input checked="" type="checkbox"/> mm <input type="checkbox"/> INCH	THIRD ANGLE PROJECTION	DIMENSIONS: <input type="checkbox"/> mm <input type="checkbox"/> INCH <input checked="" type="checkbox"/> mm ONLY		SHT	REV
			EC No. J2002-0786 DRWN: SAKIYAMA CHK: JIMYAZAWA APPR: YUJITO						DESCRIPTION 注記参照 SEE NOTES	FINISH 仕上げ	WIRE RANGE 適用電線範囲	ANGLE 角度
8	7	6	A	0	—#—	—#—	51233008.S01	<input checked="" type="checkbox"/>	MOLEX INCORPORATED	EN-02J(097) MXJ-54		

A
51233008.S01

DWG. NO. SD-51233-008



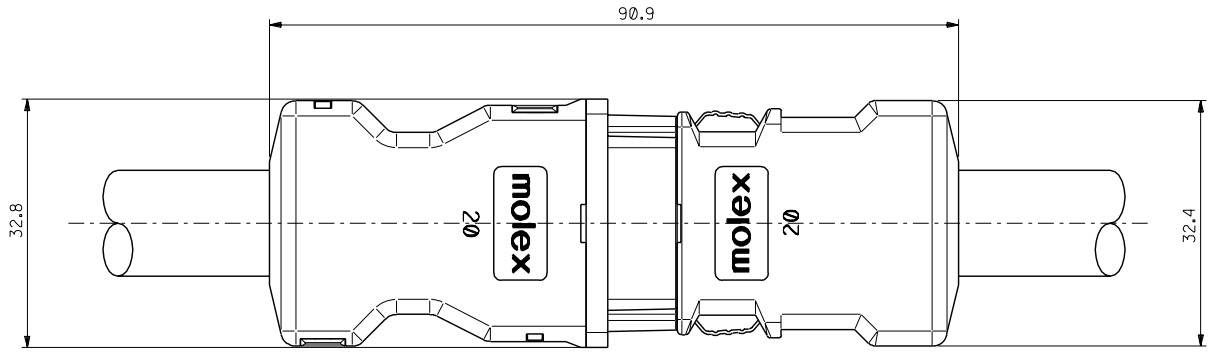
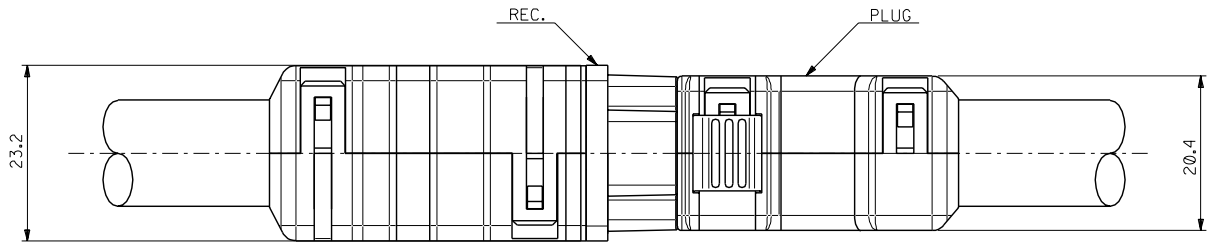
断面図
CROSS-SECTION VIEW OF MATED CONNECTOR

DO NOT SCALE DRAWING

EC NO. DRWN: CHK: APPR:	EC NO. DRWN: CHK: APPR:	EC NO. DRWN: CHK: APPR:	REVISED 01/10/04	MATERIAL 材料	GENERAL TOLERANCES: (UNLESS SPECIFIED) 一般公差	SCALE 2-1	DESIGN UNITS <input checked="" type="checkbox"/> mm <input type="checkbox"/> INCH	THIRD ANGLE PROJECTION	DIMENSIONS: <input type="checkbox"/> mm <input type="checkbox"/> INCH <input type="checkbox"/> mm <input checked="" type="checkbox"/> INCH ONLY	SHT REV	REV REVISIONS
			EC NO. J2002-0786 DRWN: SAKIYAMA CHK: MIYAZAWA APPR: YOSHIO								
A	0	REV 改修外注	RELEASED 01/02/16	DESCRIPTION	ANGLE 角度	+3°	CAD FILENAME 51233008.S02	MATERIAL NO. SEE CHART	DRAWING NO. SD-51233-008	SHEET NO. 2 OF 4	SIZE B
			EC NO. JD2001-1040 DRWN: SAKIYAMA CHK: MIYAZAWA APPR: HIKESUGI								
8	7	6	5	4	3	2	THIS DRAWING CONTAINS INFORMATION THAT IS PROPRIETARY TO MOLEX INCORPORATED AND SHOULD NOT BE USED WITHOUT WRITTEN PERMISSION.		EN-02J(097) MXJ-54		

51233008.S02

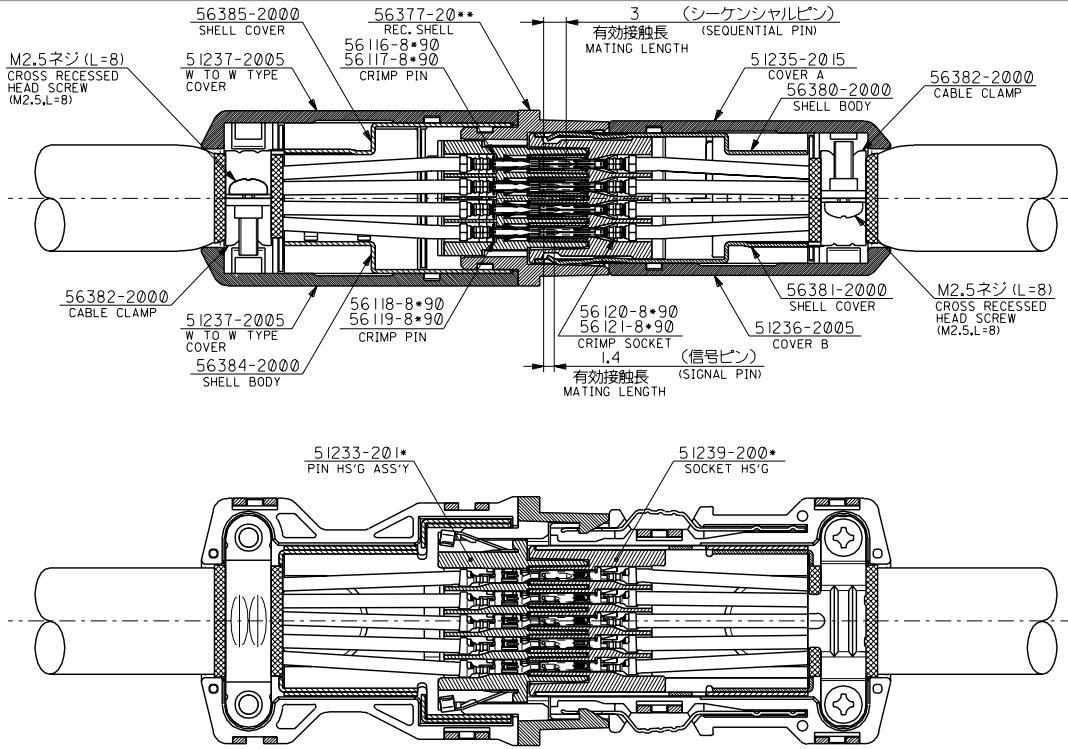
DWG. NO. SD-51233-008



嵌合図 (中継タイプ)
CROSS-SECTION VIEW OF MATED CONNECTOR (WIRE TO WIRE TYPE)

DO NOT SCALE DRAWING	EC NO. DRWN: CHK: APPR:	EC NO. DRWN: CHK: APPR:	EC NO. DRWN: CHK: APPR:	REVISED 01/10/04 EC NO. J2002-0786 DRWN: SAKIYAMA CHK: JIMYAZAWA APPR: YOHIO	RELEASED 01/02/16 EC NO. JD2001-1040 DRWN: SAKIYAMA CHK: JIMYAZAWA APPR: HIKE SUGI	MATERIAL 材料	注記参照 SEE NOTES	GENERAL TOLERANCES: (UNLESS SPECIFIED) 一般公差	SCALE 2-1	DESIGN UNITS <input checked="" type="checkbox"/> MM <input type="checkbox"/> INCH	THIRD ANGLE PROJECTION	DIMENSIONS: <input type="checkbox"/> MM <input type="checkbox"/> INCH <input checked="" type="checkbox"/> MM ONLY	SHT	REV
						FINISH 仕上げ		10 UNDER 未満	±0.2	DRAWN BY & DATE <i>S. Higashi</i> 01/25	TITLE: COMPACT ROBOT CONN. (CRC) REC. PIN HS'G ASS'Y	REVISION REVISE ON CAD ONLY		
8				A	0	WIRE RANGE 適用電線範囲		10 OVER 以上	30 UNDER 未満	±0.25	CHECKED BY & DATE <i>S. Higashi</i> 01/25			
						WIRE RANGE 適用電線範囲		30 OVER 以上		±0.3	APPROVED BY & DATE <i>S. Higashi</i>			
						INS. RANGE 挿線外径		ANGLE 角度		±3°	CAD FILENAME 51233008.S03	MATERIAL NO. SEE CHART	DRAWING NO. SD-51233-008	SHEET NO. 3 OF 4
THIS DRAWING CONTAINS INFORMATION THAT IS PROPRIETARY TO MOLEX INCORPORATED AND SHOULD NOT BE USED WITHOUT WRITTEN PERMISSION.												EN-02J(097) MXJ-54		

51233008.S03



嵌合図 (中継タイプ)
CROSS-SECTION VIEW OF MATED CONNECTOR
(WIRE TO WIRE TYPE)

DO NOT SCALE DRAWING	EC NO. DRWN: CHK: APPR:	EC NO. DRWN: CHK: APPR:	EC NO. DRWN: CHK: APPR:	REVISED 01/10/04	MATERIAL 材料	GENERAL TOLERANCES: (UNLESS SPECIFIED) 一般公差	SCALE 2-1	DESIGN UNITS <input checked="" type="checkbox"/> mm <input type="checkbox"/> INCH	THIRD ANGLE PROJECTION	DIMENSIONS: <input type="checkbox"/> mm <input type="checkbox"/> INCH <input checked="" type="checkbox"/> mm ONLY	SHT REV	REVISE ON CAD ONLY
				EC NO. J2002-0786 DRWN: SAKIYAMA CHK: JIMYAZAWA APPR: YUJITO								
8				A	注記参照 SEE NOTES	10 UNDER 未満	+0.2	CHECKED BY & DATE S. Okigami 01/25	MOLEX INCORPORATED	MATERIAL NO. SEE CHART	DRAWING NO. SD-51233-008	SHEET NO. 4 OF 4
7			0	FINISH 仕上げ	10 OVER 以上	-0.25	APPROVED BY & DATE S. Okigami	MATERIAL NO. SEE CHART				
6				RELEASED 01/02/16 EC NO. JD2001-1040 DRWN: SAKIYAMA CHK: JIMYAZAWA APPR: HIKESUGI	WIRE RANGE 適用電線範囲	30 UNDER 未満	+0.3	CAD FILE NAME 51233008.S04	THIS DRAWING CONTAINS INFORMATION THAT IS PROPRIETARY TO MOLEX INCORPORATED AND SHOULD NOT BE USED WITHOUT WRITTEN PERMISSION.		EN-02J(097) MXJ-54	51233008.S04
5					REV	ANGLE 角度	+3°					