

Excellent Integrated System Limited

Stocking Distributor

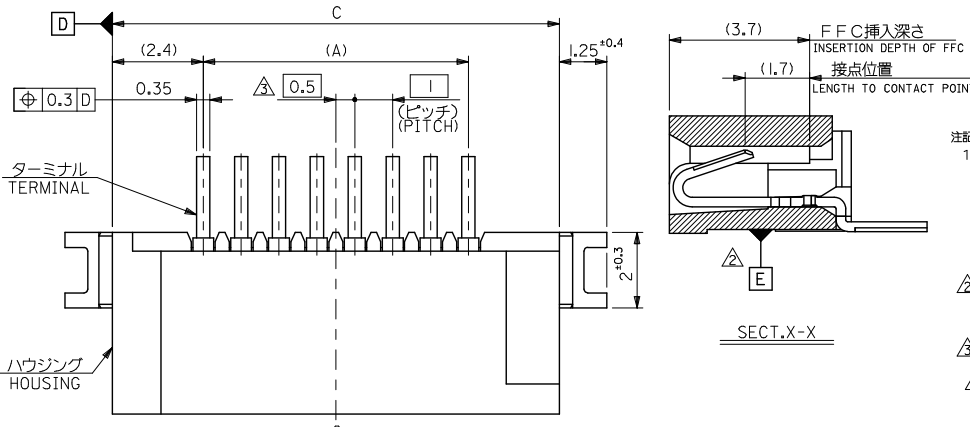
Click to view price, real time Inventory, Delivery & Lifecycle Information:

[Molex Connector Corporation](#)
[0528522972](#)

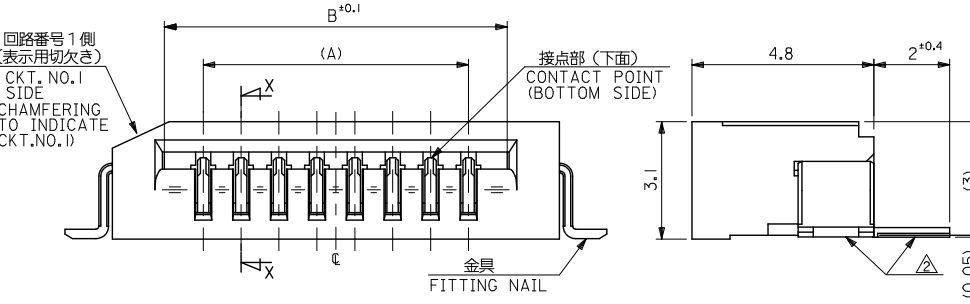
For any questions, you can email us directly:

sales@integrated-circuit.com

10 9 8 7 6 5 4 3 2 1



注記 NOTES:
 1. 使用材料 MATERIAL
 ハウジング: PPS,UL94V-0
 ターミナル: リン青銅 (セ=0, 25)
 メッキ: ニッケル下地
 接点部: 金メッキ
 テール部: 錫メッキ
 金具: リン青銅 (セ=0, 25)
 メッキ: ニッケル下地
 HOUSING: PPS, UL94V-0
 TERMINAL: PHOSPHOR BRONZE
 PLATING: CONTACT AREA: GOLD PLATING
 TAIL AREA: TIN PLATING OVER NICKEL
 FITTING NAIL: PHOSPHOR BRONZE
 PLATING: TIN OVER NICKEL
 △ 基準面 E からのソルダーテールとフィッティングネイルの半田付け面のズレ量は、上方に0.1MAX、下方に0.15MAXとする。
 MISALIGNMENT OF SOLDER TAIL AND FITTING NAIL FROM E : UPPER DIRECTION 0.1 MAX., LOWER DIRECTION 0.15 MAX.
 △ 偶数極に適用。
 APPLY FOR EVEN CKT.
 4. 本製品は 52852 シリーズの金メッキ品である。
 THIS PRODUCT IS Au PLATING OF 52852 SERIES.

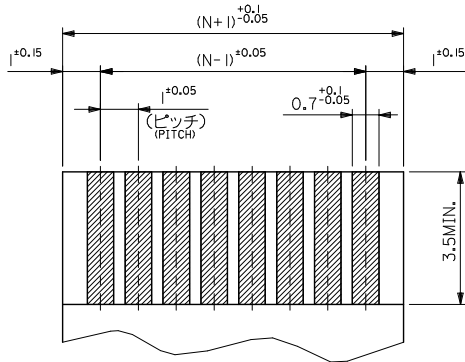


32.8	30.05	28	52852-2971	29
29.8	27.05	25	52852-2671	26
27.8	25.05	23	52852-2471	24
19.8	17.05	15	52852-1671	16
18.8	16.05	14	52852-1571	15
17.8	15.05	13	52852-1471	14
16.8	14.05	12	52852-1371	13
15.8	13.05	11	52852-1271	12
7.8	5.05	3	52852-0471	4
C	B	A	MATERIAL NO.	極数 CIRCUIT

REVISED EC NO. J2014-0324 DRAWN: TAKAHASHI 04/2013/08/20 CHKD: TAKAHASHI 2013/08/20 APPR: INOIGAWA 2013/08/27	GENERAL TOLERANCES (UNLESS SPECIFIED)		DIMENSION STYLE	SCALE	MODEL NO.
	10 UNDER ± 0.2		MM ONLY	---	52852-**71
	10 OVER 30 UNDER ± 0.25		DRAWN BY DATE	TITLE	DESIGN UNITS
REV DESCRIPTION	30 OVER ± 0.3		M. NABEI '05/08/23	---	METRIC
	ANGULAR ± 3 °		CHECKED BY DATE	THIRD ANGLE PROJECTION	
DRAFT WHERE APPLICABLE MUST REMAIN WITHIN DIMENSIONS			K. TOYODA '05/08/23	1.0 FFC CONN NON ZIF SMT RA (BOTTOM CONTACT) -LEAD FREE-	
			APPROVED BY DATE	molex	
			N. UKITA '05/08/23	SEE CHART	
			MATERIAL NO.	DOCUMENT NO.	SHEET NO.
			SD-52852-012		1 OF 2
THIS DRAWING CONTAINS INFORMATION THAT IS PROPRIETARY TO MOLEX INCORPORATED AND SHOULD NOT BE USED WITHOUT WRITTEN PERMISSION					

9 8 7 6 5 4 3 2

10 9 8 7 6 5 4 3 2 1



(仕上がり厚さ) 0.3 ± 0.03
THICKNESS
適合FPC/FFC推奨寸法
APPLICABLE FPC/FFC
RECOMMENDED DIMENSION.

FPC/FFCについて:

打抜き方向は導体側から補強板側を推奨いたします。

ABOUT FPC/FFC

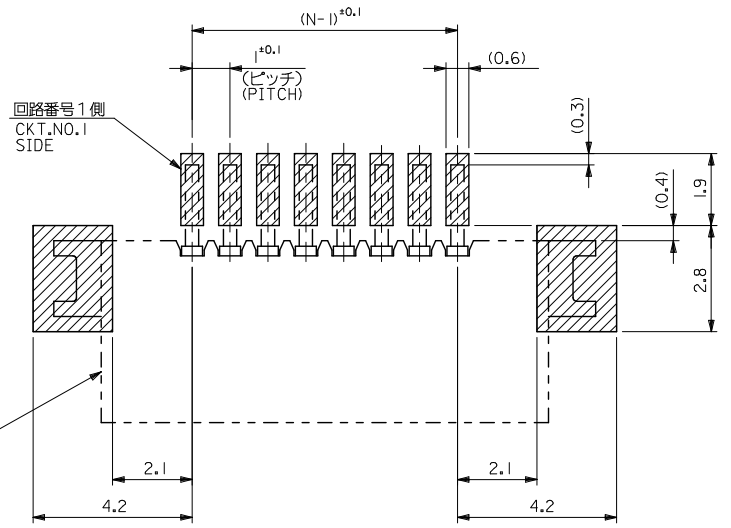
RECOMMENDED PUNCHER DIRECTION : FROM CONDUCTOR SIDE TO STIFFENER FILM SIDE.

FPCについて:

補強フィルム材質はポリアミドを推奨します。
接着剤は熱硬化接着剤を推奨します。

ABOUT FPC

RECOMMENDED MATERIAL :
STIFFENER FILM : POLYIMIDE
BONDING AGENT : THERMOSETTING BONDING AGENT



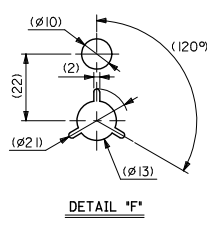
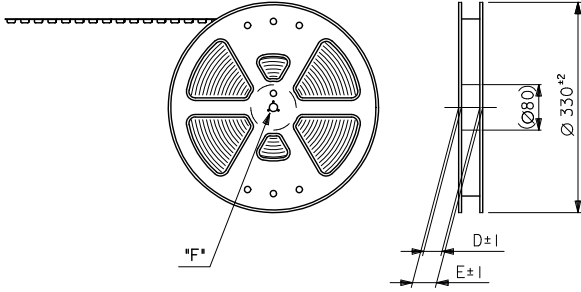
参考基板レイアウト (マウント面)
RECOMMENDED P.C.BOARD
PATTERN DIMENSION. (REF.)
(MOUNTING AREA)

REVISED EC NO. J2014-0324 DRAWN: TAKAHASHI 04/2013/08/20 CHKD: TAKAHASHI 2013/08/20 APPR: INOIGAWA 2013/08/27	GENERAL TOLERANCES (UNLESS SPECIFIED)		DIMENSION STYLE	SCALE	52852-**71	MODEL NO.
			MM ONLY	---	DESIGN UNITS	THIRD ANGLE PROJECTION
	10 UNDER	± 0.2	DRAWN BY	DATE	METRIC	
	10 OVER 30 UNDER	± 0.25	M. NABEI	'05/08/23		
30 OVER	± 0.3	CHECKED BY	DATE	TITLE		
ANGULAR	± 3 °	K. TOYODA	'05/08/23	1.0 FFC CONN NON ZIF SMT RA (BOTTOM CONTACT) -LEAD FREE-		
DRAFT WHERE APPLICABLE MUST REMAIN WITHIN DIMENSIONS		APPROVED BY	DATE	DOCUMENT NO.		
		N. UKITA	'05/08/23	SD-52852-012		
		MATERIAL NO.		SEE SHEET 1 OF 2		
		SIZE		THIS DRAWING CONTAINS INFORMATION THAT IS PROPRIETARY TO MOLEX INCORPORATED AND SHOULD NOT BE USED WITHOUT WRITTEN PERMISSION		
		A3		SHEET NO. 2 OF 2		

9 8 7 6 5 4 3 2 1

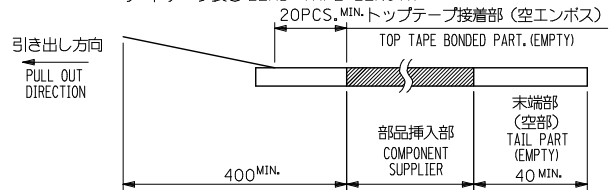
10 9 8 7 6 5 4 3 2 1

引き出し方向
PULL OUT DIRECTION



NOTES

- 製品詳細寸法については図面 SD-52852-012 を参照下さい。
RE. DETAILED DIMENSION, SEE SD-52852-012.
- 梱包数量: 1000個/リール
NUMBER OF CONNECTORS: 1000PCS/REEL
- リードテープ長さ LEAD TAPE LENGTH



- 材料 (MATERIAL)
キャリアテープ (CARRIER TAPE): ポリプロピレン (POLYPROPYLENE)
トップテープ (TOP TAPE): PET, PE, PEF
リール (REEL): ポリスチレン (PS) <リサイクル材を含む>
POLYSTYREN (PS) <RECYCLE MATERIAL CONTAINED>
- 本製品は 52852 シリーズの全メッキ品である。
THIS PRODUCT IS AU PLATING OF 52852 SERIES.

REVISED EC NO: J2014-0324 DRAWN: TAKAHASHI 04/2013/08/20 CHKD: TAKAHASHI 2013/08/20 APPR: INOIGAWA 2013/08/27	GENERAL TOLERANCES (UNLESS SPECIFIED)		DIMENSION STYLE MM ONLY		SCALE ---	52852-**72	MODEL NO.
	10 UNDER	± 0.2	DRAWN BY M. NABEI	DATE '05/08/23	TITLE 1.0 FPC CONN NON ZIF SMT RA BOTTOM CONTACT EMBSTP -LEAD FREE-	DESIGN UNITS METRIC	THIRD ANGLE PROJECTION
	10 OVER 30 UNDER	± 0.25	CHECKED BY K. TOYODA	DATE '05/08/23	MATERIAL NO. SEE CHART	DOCUMENT NO. SD-52852-013	SHEET NO. 1 OF 5
	30 OVER	± 0.3	APPROVED BY N. UKITA	DATE '05/08/23			
ANGULAR ±3 °		DRAFT WHERE APPLICABLE MUST REMAIN WITHIN DIMENSIONS		THIS DRAWING CONTAINS INFORMATION THAT IS PROPRIETARY TO MOLEX INCORPORATED AND SHOULD NOT BE USED WITHOUT WRITTEN PERMISSION			

9 8 7 6 5 4 3 2 1

10 9 8 7 6 5 4 3 2 1

F

E

D

C

B

A

F

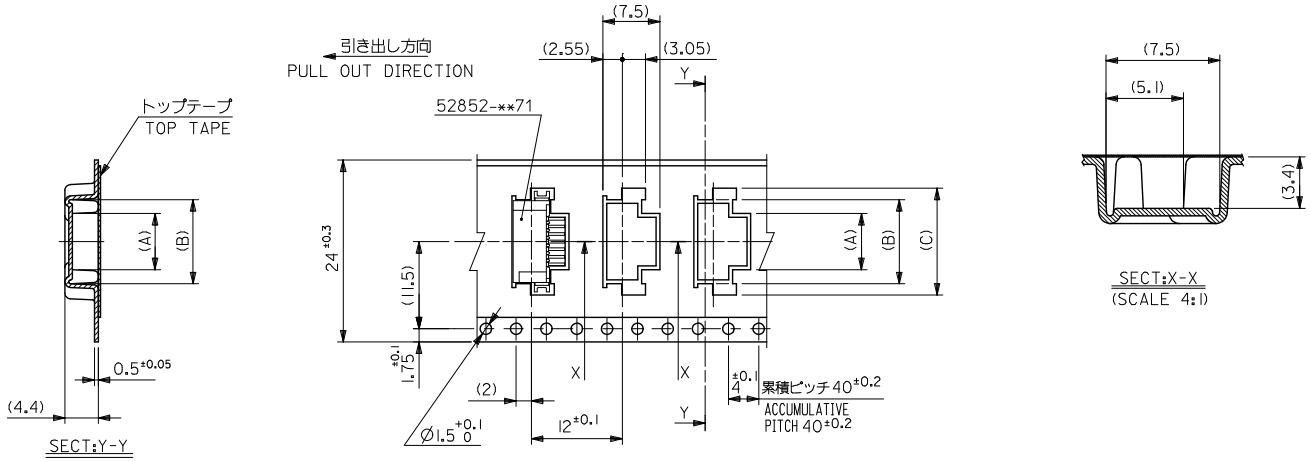
E

D

C

B

A



24mm幅キャリアテープ
24mm WIDTH CARRIER TAPE

24	29.4	25.4	11.1	8.1	4.4	52852-0472	4
キャリアテープ幅 CARRIER TAPE WIDTH	E	D	(C)	(B)	(A)	MATERIAL NO.	種数 CKT.

REVISED IEC NO. J2014-0324 DRAWN: TAKAHASHI 04/2013/08/20 CHIKUDAKAKASHI 2013/08/20 APPR: INOIGAWA 2013/08/27	DESCRIPTION	GENERAL TOLERANCES (UNLESS SPECIFIED)	DIMENSION STYLE	SCALE	52852-**72	MODEL NO.
		10 UNDER ± 0.2	MM ONLY	---	DESIGN UNITS METRIC	THIRD ANGLE PROJECTION
		10 OVER 30 UNDER ± 0.25	DRAWN BY M. NABEI DATE '05/08/23	TITLE	1.0 FPC CONN NON ZIF SMT RA BOTTOM CONTACT EMBSTP -LEAD FREE-	
		30 OVER ± 0.3	CHECKED BY K. TOYODA DATE '05/08/23		molex	
	ANGULAR ± 3 °	APPROVED BY N. UKITA DATE '05/08/23	MATERIAL NO.	DOCUMENT NO.	SD-52852-013	SHEET NO. 2 OF 5
	DRAFT WHERE APPLICABLE MUST REMAIN WITHIN DIMENSIONS	SEE CHART	THIS DRAWING CONTAINS INFORMATION THAT IS PROPRIETARY TO MOLEX INCORPORATED AND SHOULD NOT BE USED WITHOUT WRITTEN PERMISSION			

9 8 7 6 5 4 3 2

10 9 8 7 6 5 4 3 2 1

F

E

D

C

B

A

F

E

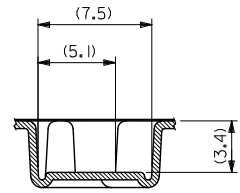
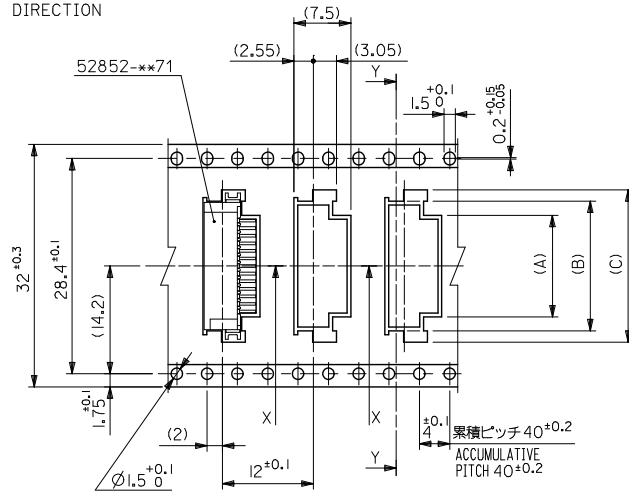
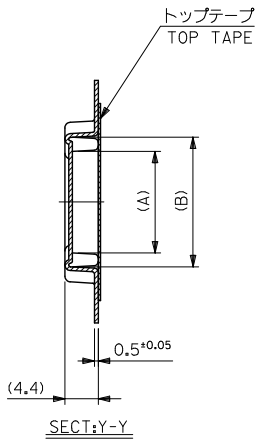
D

C

B

A

引き出し方向
PULL OUT DIRECTION



32mm幅キャリアテープ
32mm WIDTH CARRIER TAPE

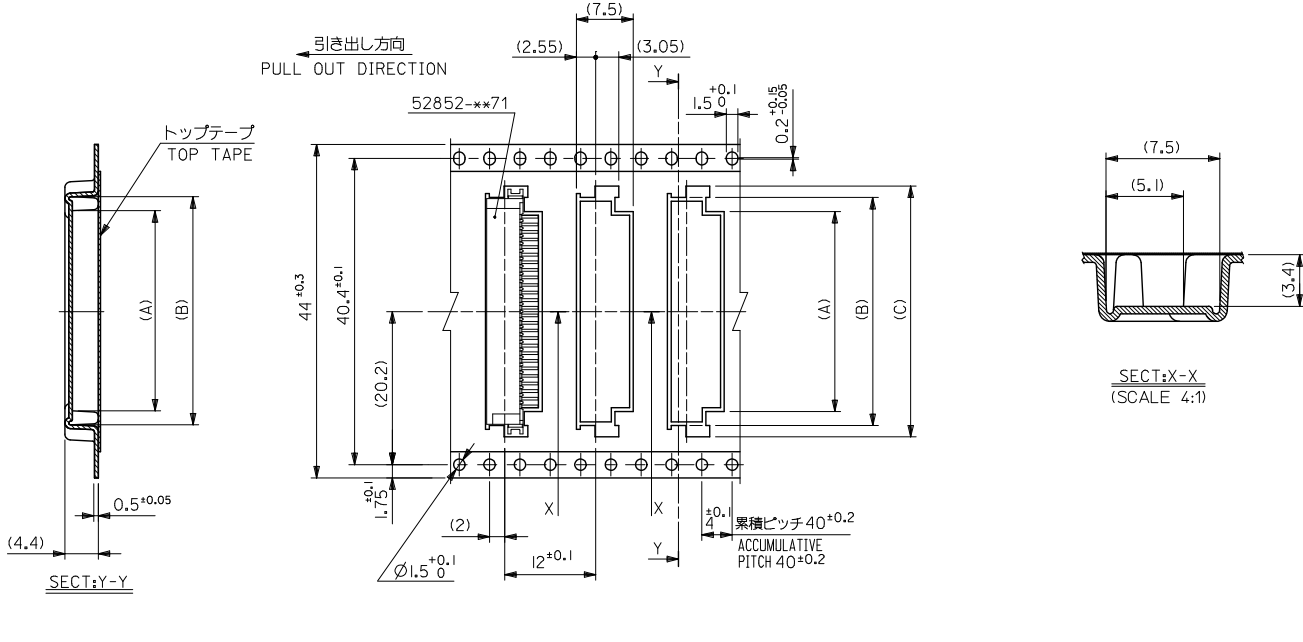
32	33.7	33.4	23.1	20.1	16.4	52852-1672	16
			22.1	19.1	15.4	52852-1572	15
			21.1	18.1	14.4	52852-1472	14
			20.1	17.1	13.4	52852-1372	13
			19.1	16.1	12.4	52852-1272	12
キャリアテープ幅 CARRIER TAPE WIDTH	E	D	(C)	(B)	(A)	MATERIAL NO.	種数 CKT.

REVISED EC NO: J2014-0324 DRAWN: TAKAHASHI 04/2013/08/20 CHKD: TAKAHASHI 2013/08/20 APPR: INOIGAWA 2013/08/27	DESCRIPTION	GENERAL TOLERANCES (UNLESS SPECIFIED)		DIMENSION STYLE		SCALE	52852-**72	MODEL NO.	
				MM ONLY		---	DESIGN UNITS	THIRD ANGLE PROJECTION	
		10 UNDER	± 0.2	DRAWN BY	DATE	TITLE	1.0 FPC CONN NON ZIF SMT RA BOTTOM CONTACT EMBSTP -LEAD FREE-		
		10 OVER 30 UNDER	± 0.25	M. NABEI	'05/08/23	molex	SEE CHART		
		30 OVER	± 0.3	K. TOYODA	'05/08/23		DOCUMENT NO.	SD-52852-013	SHEET NO.
ANGULAR ± 3 °		DRAFT WHERE APPLICABLE MUST REMAIN WITHIN DIMENSIONS		MATERIAL NO.		3 OF 5			
				SIZE		THIS DRAWING CONTAINS INFORMATION THAT IS PROPRIETARY TO MOLEX INCORPORATED AND SHOULD NOT BE USED WITHOUT WRITTEN PERMISSION			

10 9 8 7 6 5 4 3 2 1

10 9 8 7 6 5 4 3 2 1

F
E
D
C
B
A



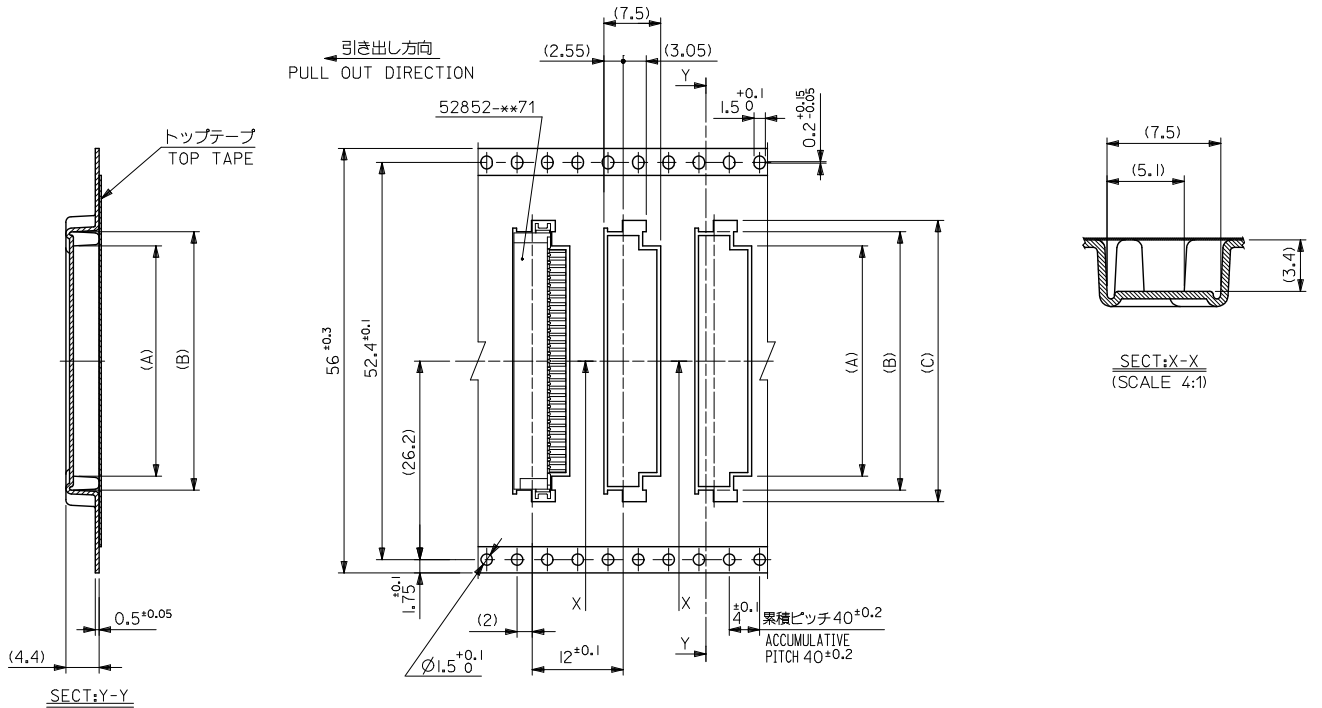
44mm幅キャリアテープ
44mm WIDTH CARRIER TAPE

44	49.5	45.5	33.1	30.1	26.4	52852-2672	26
キャリアテープ幅 CARRIER TAPE WIDTH	E	D	(C)	(B)	(A)	MATERIAL NO.	種数 CKT.
						52852-**72	MODEL NO.
						METRIC	THIRD ANGLE PROJECTION

REVISED EC NO. J2014-0324 DRAWN: TAKAHASHI 04/2013/08/20 CHKD: TAKAHASHI 2013/08/20 APPR: INOIGAWA 2013/08/27	GENERAL TOLERANCES (UNLESS SPECIFIED)		DIMENSION STYLE MM ONLY		SCALE ---	DESIGN UNITS METRIC	MODEL NO.
	10 UNDER	± 0.2	DRAWN BY M. NABEI	DATE '05/08/23	TITLE 1.0 FPC CONN NON ZIF SMT RA BOTTOM CONTACT EMBSTP -LEAD FREE-		
	10 OVER 30 UNDER	± 0.25	CHECKED BY K. TOYODA	DATE '05/08/23	molex		
	30 OVER	± 0.3	APPROVED BY N. UKITA	DATE '05/08/23			
ANGULAR	± 3 °	MATERIAL NO.		DOCUMENT NO.	SHEET NO.		
DRAFT WHERE APPLICABLE MUST REMAIN WITHIN DIMENSIONS		SEE CHART		SD-52852-013		4 OF 5	
THIS DRAWING CONTAINS INFORMATION THAT IS PROPRIETARY TO MOLEX INCORPORATED AND SHOULD NOT BE USED WITHOUT WRITTEN PERMISSION							

9 8 7 6 5 4 3 2

10 9 8 7 6 5 4 3 2 1



56mm幅キャリアテープ
56mm WIDTH CARRIER TAPE

56	61.4	57.4	36.1	33.1	29.4	52852-2972	29
キャリアテープ幅 CARRIER TAPE WIDTH	E	D	(C)	(B)	(A)	MATERIAL NO.	種数 CKT.

REVISED EC NO. J2014-0324 DRAWN: TAKAHASHI 04/2013/08/20 CHKD: TAKAHASHI 2013/08/20 APPR: INOIGAWA 2013/08/27	GENERAL TOLERANCES (UNLESS SPECIFIED)		DIMENSION STYLE MM ONLY		SCALE ---	DESIGN UNITS METRIC	52852-**72	MODEL NO.
	10 UNDER	± 0.2	DRAWN BY M. NABEI	DATE '05/08/23	TITLE 1.0 FPC CONN NON ZIF SMT RA BOTTOM CONTACT EMBSTP -LEAD FREE-			
	10 OVER 30 UNDER	± 0.25	CHECKED BY K. TOYODA	DATE '05/08/23				
	30 OVER	± 0.3	APPROVED BY N. UKITA	DATE '05/08/23				
ANGULAR	± 3 °	DRAFT WHERE APPLICABLE MUST REMAIN WITHIN DIMENSIONS		MATERIAL NO. SEE CHART	DOCUMENT NO. SD-52852-013	SHEET NO. 5 OF 5		
THIS DRAWING CONTAINS INFORMATION THAT IS PROPRIETARY TO MOLEX INCORPORATED AND SHOULD NOT BE USED WITHOUT WRITTEN PERMISSION								

9 8 7 6 5 4 3 2