

Excellent Integrated System Limited

Stocking Distributor

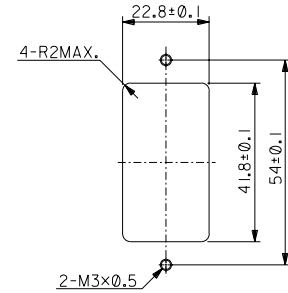
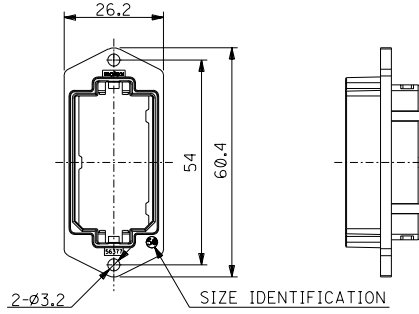
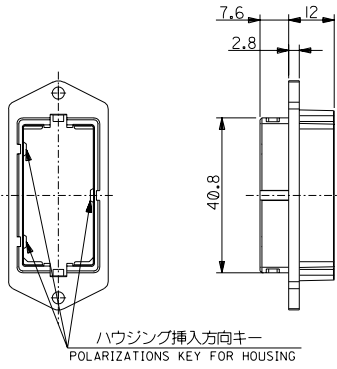
Click to view price, real time Inventory, Delivery & Lifecycle Information:

[Molex Connector Corporation](#)
[0563775000](#)

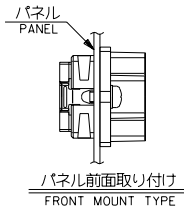
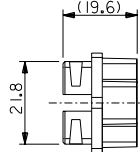
For any questions, you can email us directly:

sales@integrated-circuit.com

DWG. NO. SD-56377-015



推奨パネル切り取り寸法 (前面取り付け)
RECOMMENDED PANEL OPENING (FRONT MOUNTING)



注記
NOTES

1. 材質
MATERIAL
亜鉛合金, ニッケルメッキ
ZINC ALLOY, NI PLATING
2. 適用ハウジングアッセンブリ: 51233-501* (PIN HS'G ASS'Y)
51238-501* (SOCKET HS'G ASS'Y)
適用ハウジングアッセンブリ: 51233-501* (PIN HS'G ASS'Y)
51238-501* (SOCKET HS'G ASS'Y)
3. 推奨ねじ締め付けトルク: 5~6 kgf・cm
RECOMMENDED SCREW TIGHTENING TORQUE: 5~6 kgf・cm

56377-5000	56377-****
MATERIAL NO.	MODEL NO.

DO NOT SCALE DRAWING	EC NO. DRAWN: CHK: APPR:	EC NO. DRAWN: CHK: APPR:	EC NO. DRAWN: CHK: APPR:	REVISED '02/06/03	MATERIAL 材料 注記参照 SEE NOTES	GENERAL TOLERANCES: (UNLESS SPECIFIED) 一般公差	SCALE	DESIGN UNITS mm INCH	THIRD ANGLE PROJECTION	DIMENSIONS: mm INCH mm INCH mm ONLY	SHT REV	REVISE ON CAD ONLY
				EC NO. J2002-3016 DRAWN: SAKIYAMA CHK: JMIYAZAWA APPR: YOLITO								
8				A		10 OVER 以上	30 UNDER 未満	+0.25	CHECKED BY & DATE Y. Yamamoto '02/02/04	MOLEX INCORPORATED		
7				0		30 OVER 以上		+0.3	APPROVED BY & DATE Y. Ota '02/02/04			
6					DESCRIPTION	ANGLE 角度		+3°	CAD FILENAME 56377015.S01	MATERIAL NO. SEE CHART	DRAWING NO. SD-56377-015	SHEET NO. 1 OF 1
					WIRE RANGE 適用電線範囲				THIS DRAWING CONTAINS INFORMATION THAT IS PROPRIETARY TO MOLEX INCORPORATED AND SHOULD NOT BE USED WITHOUT WRITTEN PERMISSION.			SIZE B
					INS. RANGE 挿入外径				EN-02J(097) MXJ-54			56377015.S01