

Excellent Integrated System Limited

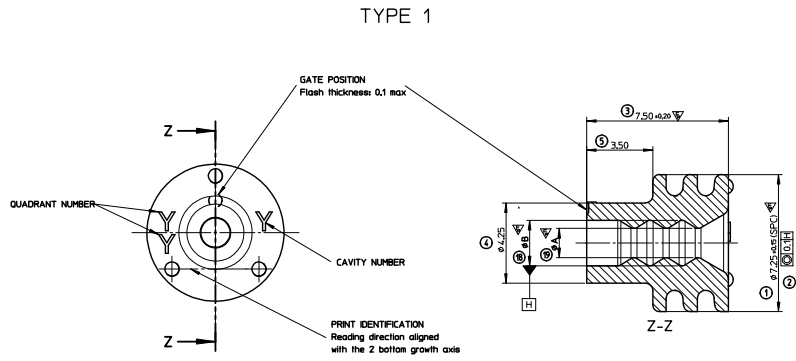
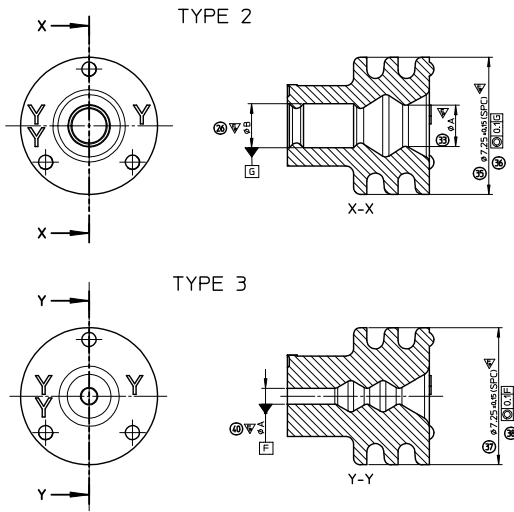
Stocking Distributor

Click to view price, real time Inventory, Delivery & Lifecycle Information:

[Molex Connector Corporation](#)
[0643251332](#)

For any questions, you can email us directly:

sales@integrated-circuit.com



BULK PACKAGING

50 000 seals (5 bags of 10 000 seals)/cardboard
PACKAGING CODE: GALIA A12

MOLEX PART NUMBER	COLOR	TYPE	ALLOWED WIRE DIAMETER	WEIGHT (g)	#A	#B
0643251366	BLUE	2	3.40/4.20	0.137	2.55/2.70	2.80/2.95
0643251358	GREY	2	2.65/3.50	0.158	2.00/2.15	2.20/2.35
0643251345	GREEN	1	2.00/2.80	0.168	1.40/1.70	2.25/2.55
0643251332	RED	3	1.30/2.15	0.190	0.70/1.00	-

(SPC) DENOTE SPC DIMENSION (3)

QUALITY SYMBOL	COUNT
PERFORMANCE	∇ - 10
ASSEMBLY	∇ - 0
CUSTOMER	∇ - 0

MATERIAL SPECIFICATION: Silicon elastomer type LSR self bleeding (2% approx)

Flash max 0.1. No cut, no short shots, no fear, no distortion on seal lips allowed.

UPDATE TYPE 2 REC NO. 02010077 DRAWN BY: HERE CHKD BY: JUCLOS APPROVED BY: JUCLOS DATE: 2010/09/28 DATE: 2010/09/28 DATE: 2010/10/24	GENERAL TOLERANCES (UNLESS SPECIFIED)		DIMENSION STYLE	SCALE	DESIGN UNITS	FIRST ANGLE PROJECTION	
		mm	INCH	MM ONLY	10:1	METRIC	
	4 PLACES	± 0.1	± 0.004	DRAWN BY	DATE	TITLE	
	3 PLACES	± 0.1	± 0.004	CREATED BY	DATE		
	2 PLACES	± 0.1	± 0.004	CBOUCHAN	2010/04/07	SGL WIRE SEALS 2.8 W/O RIB	
1 PLACE	± 0.1	± 0.004	APPROVED BY	DATE			
0 PLACE	± 0.1	± 0.004	BMOUSER	2010/05/04			
ANGULAR ±1/2°		SEE CHART		MATERIAL NO.	DOCUMENT NO.	SHEET NO.	
DRAFT WHERE APPLICABLE MUST REMAIN WITHIN DIMENSIONS		A1			SD-64325-006	1 OF 1	
THIS DRAWING CONTAINS INFORMATION THAT IS PROPRIETARY TO MOLEX INCORPORATED AND SHOULD NOT BE USED WITHOUT WRITTEN PERMISSION							