

Excellent Integrated System Limited

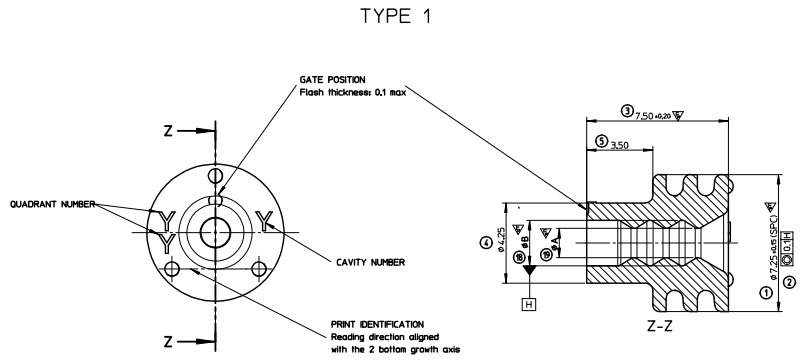
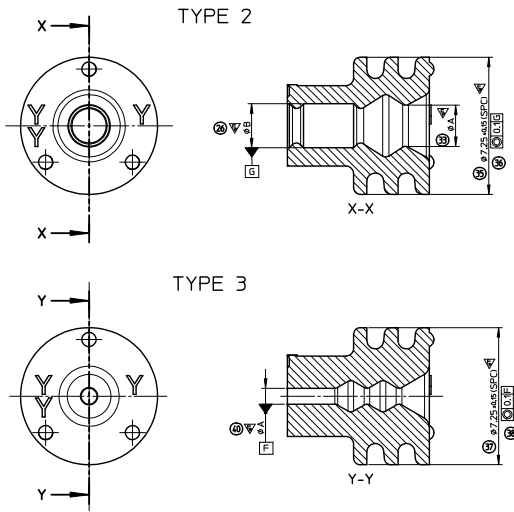
Stocking Distributor

Click to view price, real time Inventory, Delivery & Lifecycle Information:

[Molex Connector Corporation](#)
[0643251345](#)

For any questions, you can email us directly:

sales@integrated-circuit.com



BULK PACKAGING

50 000 seals (5 bags of 10 000 seals)/cardboard
PACKAGING CODE: GALIA A12

MOLEX PART NUMBER	COLOR	TYPE	ALLOWED WIRE DIAMETER	WEIGHT (g)	#A	#B
0643251366	BLUE	2	3.40/4.20	0.137	2.55/2.70	2.80/2.95
0643251358	GREY	2	2.65/3.50	0.158	2.00/2.15	2.20/2.35
0643251345	GREEN	1	2.00/2.80	0.168	1.40/1.70	2.25/2.55
0643251332	RED	3	1.30/2.15	0.190	0.70/1.00	-

(SPC: DENOTE SPC DIMENSION (3))

QUALITY SYMBOL	COUNT
PERFORMANCE	∇ - 10
ASSEMBLY	∇ - 0
CUSTOMER	∇ - 0

MATERIAL SPECIFICATION: Silicon elastomer type LSR self bleeding (2% approx)

Flash max 0.1. No cut, no short shots, no fear, no distortion on seal lips allowed.

UPDATE TYPE 2	REC NO.	DATE	DESCRIPTION	GENERAL TOLERANCES (UNLESS SPECIFIED)		DIMENSION STYLE	SCALE	DESIGN UNITS	FIRST ANGLE PROJECTION
				mm	INCH				
2	---	---	---	mm	INCH	MM ONLY	10:1	METRIC	∇
3	PLACES	±	---	---	---	---	---	---	---
2	PLACES	±	0.1	---	---	---	---	---	---
1	PLACE	±	0.1	---	---	---	---	---	---
0	PLACE	±	0.1	---	---	---	---	---	---

DRAWN BY: JDUCLIOS DATE: 2010/04/07
CHECKED BY: CBOUCHAN DATE: 2010/04/07
APPROVED BY: BMOUSER DATE: 2010/05/04

ANGULAR ±1/2°
DRAFT WHERE APPLICABLE MUST REMAIN WITHIN DIMENSIONS

SEE CHART
THIS DRAWING CONTAINS INFORMATION THAT IS PROPRIETARY TO MOLEX INCORPORATED AND SHOULD NOT BE USED WITHOUT WRITTEN PERMISSION

DOCUMENT NO. SD-64325-006
SHEET NO. 1 OF 1

10: frame_A1_P_AK.F Rev. 5 2010/03/11